



T S L O T S®

BY BONNELL ALUMINUM

COMPLETE PRODUCT CATALOG

**WHAT DO *YOU* WANT
TO BUILD TODAY?™**

TABLE OF CONTENTS

SECTION 1

What Is
TSLOTS?



SECTION 2

Extrusion
Profiles



SECTION 3

Brackets &
Joining Plates



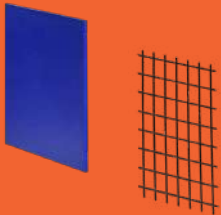
SECTION 4

Fastener
Hardware



SECTION 5

Components



SECTION 6

Panels



SECTION 7

Stanchions



SECTION 8

Linear
Motion



SECTION 9

Tools



SECTION 10

Industrial
Profiles



SECTION 11

Machining
Services



What is TSLOTS?

About TSLOTS

TSLOTS by Bonnell Aluminum is the leading T-slotted aluminum extrusions manufactured, distributed, and sold by an aluminum extruder. That means you get the most consistent quality and one of the most extensive offerings in the industry. You never have to worry about color or finish because all **TSLOTS** meet the same extremely high standards.



The concept behind the T-Slotted aluminum extrusion is to make assembly of structures faster and easier than using welded steel. That's because the main component of the system is the **TSLOTS** design: insert a T-Nut and fastener into a T-Slot and tighten. It's that simple. No welding or grinding required. All you need to tighten your **TSLOTS** design is a few simple hand tools.

When you are done, you have a durable, strong, lightweight structure that's functional and attractive. The high-strength extruded aluminum profiles have a clear and black anodize surface that is scratch and corrosion resistant. Your structure never needs painting and is maintenance free.

ADVANTAGES

OF TSLOTS ALUMINUM

- Simple T-Slotted design
- Linear adjustability on the X, Y, and Z axis
- Lightweight and easy to use
- Standard fractional & metric sized centerlines
- Stocked in 12' and 20' lengths
- No welding or painting required
- High strength
- Corrosion resistant
- 90% recyclable
- Anodized finish
- Flexibility to change, relocate, or add to at any time

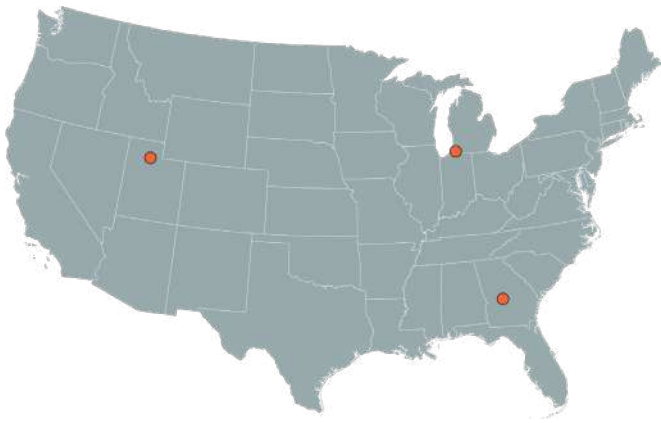
What is TSLOTS?

Why TSLOTS is Unique

1

WE ARE THE MANUFACTURER!

At **TSLOTS**, we take pride in being the only t-slotted extruder in the nation that sells directly to the market. With 3 strategically located manufacturing facilities across the country, we ensure not only optimal inventory levels but also reduced lead times. This means you get the materials you need, exactly when you need them, without delays.



SUPPLIER COMPATIBILITY

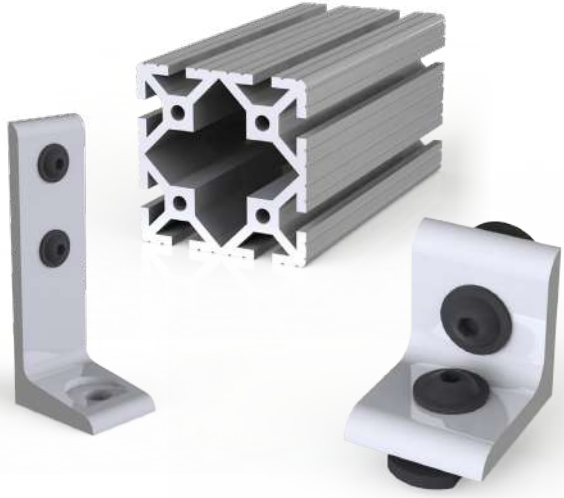
We carry over 140 profiles in clear and black anodize and a small variety in safety yellow. All our extrusion profiles were designed and created to work with other major profile suppliers in the market. And, with a complete line of brackets, gussets, & plates as well as the connecting hardware, we are a one-stop shop for all your build needs.

2

3

COMPLETE CUSTOMIZATION

With **TSLOTS**, there is a limitless options for finding your ideal solution, including a profile we don't offer. As the manufacturer, you can work with our design team and create a shape that will work seamlessly with our product lines and hardware. With full control of the process, quality and precision is what we aim for.



What is TSLOTS?

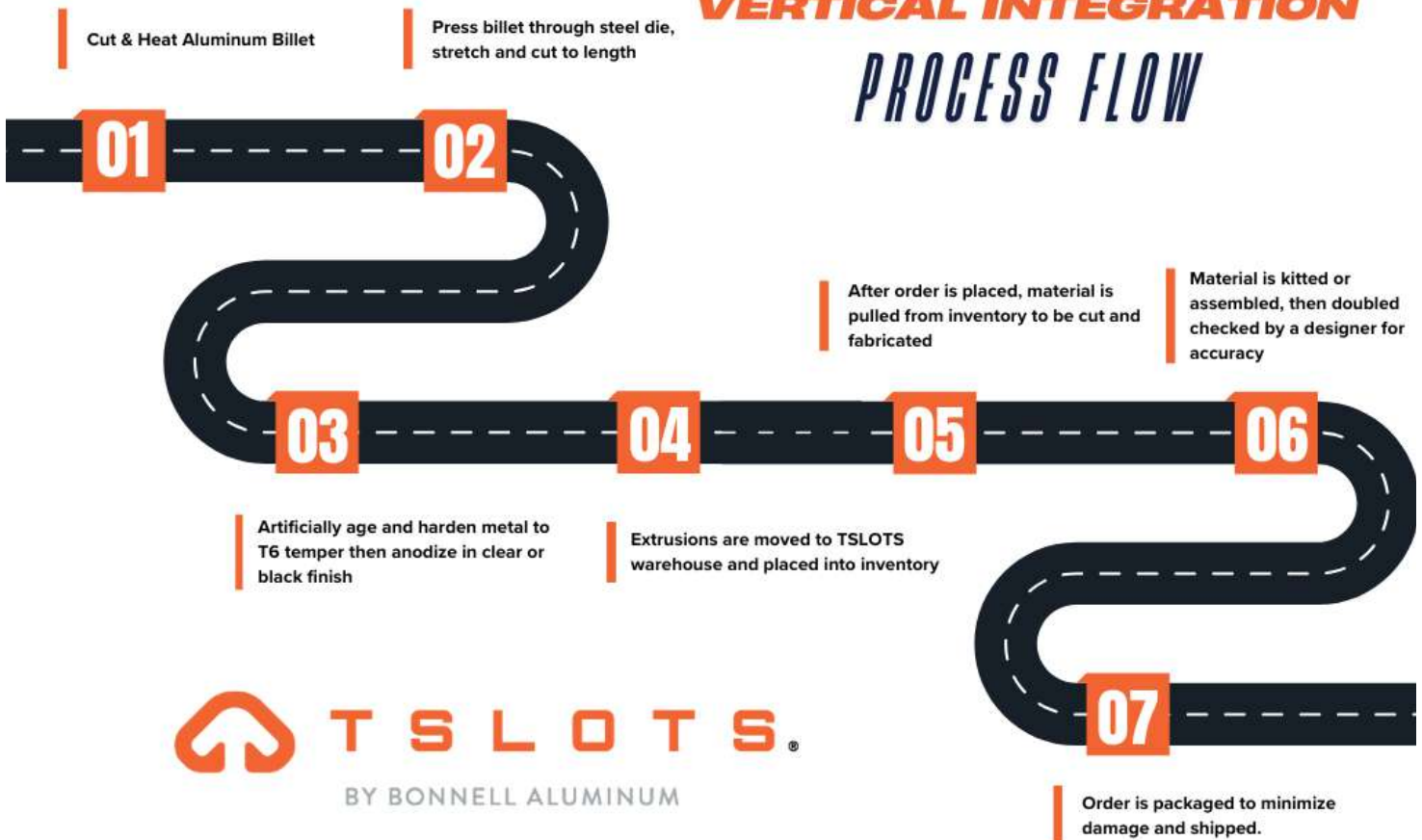
Vertical Integration

Vertical Integration for **TSLOTS** refers to the company's strategic approach of owning and controlling the entire manufacturing process, from raw material to finished product. With **TSLOTS**, you're not just buying a product, you're investing in a process — a vertically integrated, finely-tuned process that guarantees quality, consistency, and flexibility.

THE BENEFITS OF VERTICAL INTEGRATION

- FLEXIBILITY WITH PRODUCT LINE**
- LEVERAGING PRESS CAPACITY**
- SHORTER LEAD TIMES**
- QUALITY CONTROL**

VERTICAL INTEGRATION PROCESS FLOW



What is TSLOTS?

Bulk Program

Vertical integration is an advantage for any manufacturer because it allows for greater control and efficiency from production. At TSLOTS, vertical integration means we can bypass the inventory phase and pack your material right off the press. This reduces warehousing and inventory costs and saves you valuable time. By handling everything in-house, we ensure a streamlined and efficient process from start to finish, passing along rapid turnarounds and cost savings to our customers.



1000 Series

Our 1000 series bundled extrusions come in large quantity batches and offers the best pricing available. This series of profiles is made to order from our presses, is carefully packaged, and directly shipped to your facility. While this option does come with an extended lead time, it ensures that you receive precisely what you need at the most favorable price possible.

2000 Series

Our smaller bundle 2000 series sizes are pulled directly from our stocked inventory. These still provide a great price, but offer a reduced lead time. This bulk series typically ships in 1-3 business days from any one of our 3 locations across the U.S.

BEST PRICING AVAILABLE

STRONG LEAD TIMES

PRODUCT COMPATIBILITY

What is TSLOTS?

Custom Data Centers



Structural Framing Systems

The data center industry faces unprecedented challenges: skyrocketing demand, supply constraints, and a rapidly evolving workforce. But the most critical issue? Power—its sourcing, sustainability, and scalability for an AI-driven future.

Being able to pivot and respond quickly to the increasing demands are more important than ever. TSLOTS modular extrusions are built just for that reason. Whether it's barriers, workstations, containment enclosures or shelving, our profiles can change with those demands.

Transform your workspace effortlessly with T-slotted structural framing! Its adaptable design makes reconfiguration a breeze, enabling quick adjustments to meet evolving demands.

WHY CHOOSE OUR FRAMING OPTIONS?

- **Effortless Customization:** Easily repurpose and reconfigure to keep your operations ahead of the curve.
- **Cost -Efficient:** Reduce downtime, cut costs, and speed up your time to market.
- **Optimal Designs:** Craft partitions or aisle containment systems tailored to your unique requirements.

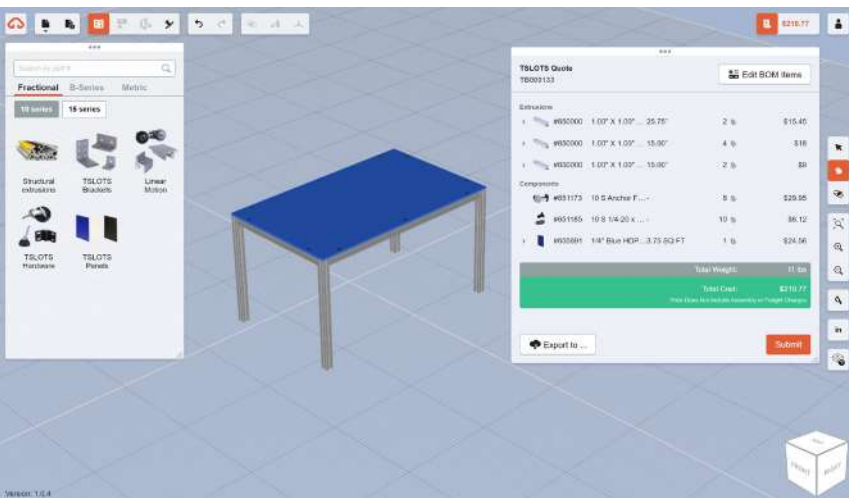


What is TSLOTS?

Design Assistance & TBUILD Design Software



TBUILD™ by TSLOTS is a free, web-based design tool tailored specifically for projects using TSLOTS extrusions. With its intuitive and user-friendly interface, you can easily create and edit designs, generate a detailed bill of materials, and access real-time pricing—all in one seamless experience. Whether you're starting a new project or refining an existing one, TBUILD™ simplifies the process and saves you time.



DESIGN ASSISTANCE

From Sketch to Completion

From your napkins sketch to a completion, our skilled design team can help bring your creation to life. They will work with you to address requirements and better help you understand how TSLOTS works to help you find the best solution.

No Size Limitations

No design idea is too big or too small! We are excited to work with your ideas however they come.

For additional support, email us at tbuild.support@bonnellaluminum.com

Start designing today at **TBUILD.IO**

EASY OF USE

Drag-and-drop tool with no complex commands or extensive training needed

WEB-BASED ACCESS

No need to download software files that push your systems capacity. Access **TBUILD™** from anywhere and complete projects anytime.

DESIGN FREEDOM

Our complete product library is available and limited to only your imagination. Experiment with different configurations to find your perfect design

CUSTOMER SUPPORT

Our support team is available to help you navigate **TBUILD™** with your questions and challenges.

Check out our TBUILD tutorials by scanning the QR code



What is TSLOTS?

Customer Support

Here to Help - Every Step of the Way

Here at **TSLOTS**, we believe that excellent support makes all the difference. Whether you have a question, need guidance, or require assistance with your project, our friendly and knowledgeable customer support team is ready to help.

We pride ourselves on providing quick, efficient assistance for all your inquiries. Your satisfaction is our priority, and we're here to ensure your journey with us is smooth and stress-free. Don't hesitate to get in touch—we're just one click away!

Email - tslotsinfo@bonnellaluminum.com, and experience support that's as seamless as the solutions we deliver.



Distributor Network

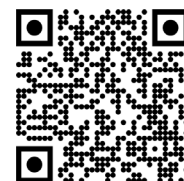
Find a Distributor

TSLOTS by Bonnell Aluminum is the only extrusion manufacturer that sells directly into the market through distribution. Our nationwide chain of suppliers can provide you with extrusions and components, and can assist you further with automation solution ideas. Our manufacturing facilities located in Clearfield UT, Niles MI, and Newnan, GA and allow us to be closer to our customers. With over 140 inventoried extrusion profiles, we've cut down on shipping costs, while reducing lead times, in order to keep our distributors well stocked.

Your local distributor is here to guide you every step of the way, making the process of designing your perfect solution effortless. From initial concept to final design, we ensure a smooth and stress-free experience tailored to your needs.

What's more, many of our distributors carry a wide range of complementary product lines—including pneumatics, hydraulics, servos, and more. This allows for easy and efficient integration, giving you a complete, cohesive solution without the hassle.

**FIND A TSLOTS
DISTRIBUTOR HERE**



What is TSLOTS?

Product Warranty

All Bonnell Aluminum (TSLOTS) products are guaranteed to be free of actual defect in material and workmanship for (1) full year from the date product was shipped from the factory. This warranty is limited to replacing or repairing, at Bonnell's option, F.O.B. Bonnell Aluminum, any part which, upon Bonnell inspection, is found to have a defect in material and/or workmanship. Bonnell Aluminum in no event shall be liable for indirect or consequential damages arising out of the use of Bonnell Aluminum products. Components purchased by Bonnell Aluminum for inclusion by Bonnell Aluminum shall be warranted only to the extent set out above and/or to the guarantee or warranty, if any, made by the supplier of said component.

No warranty is made by Bonnell Aluminum, express or implied, that Bonnell Aluminum products as used in a customer's design and specifications are fit for that customer's specific purpose. Apart from the above express warranty, there are no warranties, express, implied or statutory, including, without limitation, warranties of merchantability and fitness for a particular purpose, which extend beyond the description on the face hereof.

All product is shipped via best carrier, unless customer specified, F.O.B. Clearfield, Utah.

» *Returned unused product will be subject to a 20% restocking fee.*

California Proposition 65

WARNING: *This product can expose you to chemicals including lead, cadmium, and mercury compounds, which are known to the State of California to cause cancer and birth defects or other reproductive harm. For more information go to www.P65Warnings.ca.gov.*

What is TSLOTS?

Deflection Calculations

Using the calculations below, find your approximate deflection* for a specific TSLOTS extrusion. See table below for variations.

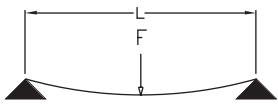
EQUATION VARIABLE UNITS RESPECTIVELY

- ° Max. Deflection is in inches
- ° "F" or Force is in pounds
- ° "L" or Length is in inches
- ° "E" or Modulus of elasticity is in pounds per inch squared
- ° "I" or Moment of Inertia is in inches⁴
- ° "W" or Weight is in pounds per inch

* For reference only.

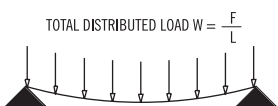
SUPPORTED LOADS

CONCENTRATED LOAD AT CENTER (*simply supported*)



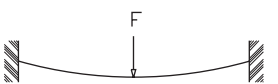
$$\text{MAX DEFLECTION} = \frac{FL^3}{48 EI}$$

UNIFORMLY DISTRIBUTED LOAD (*simply supported*)



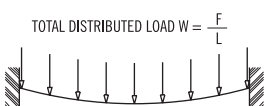
$$\text{MAX DEFLECTION} = \left(\frac{5}{384}\right)\left(\frac{WL^4}{EI}\right)$$

CONCENTRATED LOAD AT CENTER (*between fixed supports*)



$$\text{MAX DEFLECTION} = \frac{FL^3}{192 EI}$$

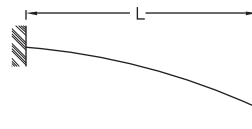
UNIFORMLY DISTRIBUTED LOAD (*between fixed supports*)



$$\text{MAX DEFLECTION} = \frac{WL^4}{384 EI}$$

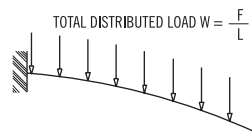
CANTILEVER LOADS

CONCENTRATED LOAD AT CENTER (*simply supported*)



$$\text{MAX DEFLECTION} = \frac{FL^3}{3 EI}$$

UNIFORMLY DISTRIBUTED LOAD (*simply supported*)



$$\text{MAX DEFLECTION} = \frac{WL^4}{8 EI}$$

EXTRUSION	(E) MODULUS OF ELASTICITY	(Ix) MOMENT OF INERTIA	(Iy) MOMENT OF INERTIA
TS10-10	10,000,000 lbs/sq. in	.046 in ⁴	.046 in ⁴
TS10-10QR	10,000,000 lbs/sq. in	.0435 in ⁴	.0435 in ⁴
TS10-20	10,000,000 lbs/sq. in	.087 in ⁴	.321 in ⁴
TS20-20	10,000,000 lbs/sq. in	.578 in ⁴	.578 in ⁴
TS15-15	10,000,000 lbs/sq. in	.266 in ⁴	.266 in ⁴
TS15-15L	10,000,000 lbs/sq. in	.194 in ⁴	.194 in ⁴
TS15-15QR	10,000,000 lbs/sq. in	.172 in ⁴	.172 in ⁴
TS15-30	10,000,000 lbs/sq. in	.502 in ⁴	1.877 in ⁴
TS15-30L	10,000,000 lbs/sq. in	.408 in ⁴	1.431 in ⁴
TS15-45	10,000,000 lbs/sq. in	.739 in ⁴	5.913 in ⁴
TS30-30	10,000,000 lbs/sq. in	3.379 in ⁴	3.379 in ⁴
TS30-60	10,000,000 lbs/sq. in	6.430 in ⁴	21.856 in ⁴

What is TSLOTS?

Extrusion Specifications

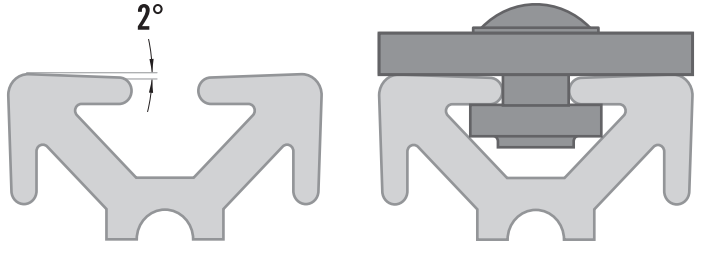
- Alloy** – 6560 or equivalent*, T6 Temper
- Yield Strength (0.2% proof test)** – 172 mpa = 25 ksi
- Tensile Strength (.02% proof test)** – 206 mpa = 30 ksi
- Elasticity (E)** – approximately 10,000 ksi
- Hardness** – 12+ Webster Model "B"
- Flatness** – .004" per inch of width
- Straightness** - .0125" per foot of length, not to exceed .120 inches over 20 feet of length
- Twist** – Twist per foot of length does not exceed .25° and total twist over 20 feet of length does not exceed 1.5°

**As an extruder, there are many other alloys that we can extrude. If your application calls for a different alloy, let us know and we can extrude it for you.*

Spring Lock Feature

Our Fractional and Metric TSLOTS structural extrusions have a 2° taper that spring locks fasteners as they are tightened. Fasteners will not loosen, even under heavy vibration.

*Only applicable for the **Fractional** and **Metric** profile series.*



Fastener Torque Specification

The table (below) indicates the amount of torque needed in foot lbs. to activate the 2° drop lock feature of the extrusion. The nut and bolt combination is pre-loaded when tightened to the minimum torque rating. The pre-loaded state makes a vibration proof connection.

FASTENER DESCRIPTION	TESTED EXTRUSION	MIN FT LBS TORQUE	MAX FT LBS TORQUE
5/16-18 FBHSCS or BHSCS & Economy T-Nut	1.5" x 1.5"	10	20
Economy T-Slot Stud, Washer & Hex Nut	1.5" x 1.5"	25	30
15s Anchor Fastener & Standard T-Nut	1.5" x 1.5"	15	20
15s End Fastener	1.5" x 1.5"	10	22
1/4-20 FBHSCS or BHSCS & Economy T-Nut	1" x 1"	5	10
10s End Fastener	1" x 1"	5	17
10s Anchor Fastener & Standard T-Nut	1" x 1"	5	17
10-32 SHCS or BHSCS	1" x 1"	9	13

**These fastener torque specifications are to be used as a guide only. The person using this content is to assume all risk. With the many factors that can affect the torque specifications, the only way to determine the correct information is through a series of tests under actual assembly conditions.*

What is TSLOTS?

Aluminum Alloy

An aluminum extrusion alloy is a predetermined mixture of one or more elements together with aluminum to be heated and hydraulically pressed through an extrusion die. Some common elements alloyed with aluminum include copper, magnesium, manganese, chromium, silicon, iron, nickel and zinc.

TSLOTS extrusions use the 6560 or equivalent alloy. In addition to aluminum, the major alloying elements for this alloy include: **Mg .25-.45% and Si .35-.8%.**

Anodizing

Anodizing is an electrochemical process that thickens and toughens the naturally occurring protective oxide. The resulting finish makes a corrosion resistant extrusion. TSLOTS extrusions have an acid etch anodize finish that is .4-.6 mil. thick. And the anodize is a Type 2 Sulfuric.

REMEMBER – WE CUSTOM EXTRUDE TOO!

TSLOTS can ship you a finished extrusion with your orders. TSLOTS provides the following operations:

- Extrusion
- Anodizing
- Machining
- Painting
- Heat treating
- Fabrication
- Warehousing
- Engineering assistance countersink
- Cut to length
- Punch, slot,

TSLOTS vs. Welded Steel

TSLOTS ADVANTAGES

- Linear adjustment in X, Y and Z axis
- No welding
- No painting (unless you want to)
- No rusting
- No cleanup
- No special tools
- No electricity
- Easy modifications
- Add on attachments
- Remove attachments
- Strong support ability
- Linear slide capability
- Comes packed ready to assemble or arrives assembled if desired
- Compatibility with competitors attachments
- Lower cost per project
- Lightweight and easy to use

WELDED STEEL DISADVANTAGES

- Special equipment, welder
- Welding supplies
- Paint
- Cleaning supplies
- Fabricating equipment
- May rust

WELDED STEEL ADVANTAGES

- Permanent assembly

MAKING CHANGES TO YOUR DESIGN IS EASY!



BEFORE



AFTER

TSLOTS Solutions



MADE WITH *TSLOTS* EXTRUSIONS

WHAT DO YOU WANT TO BUILD TODAY™



TSLOTS Solutions

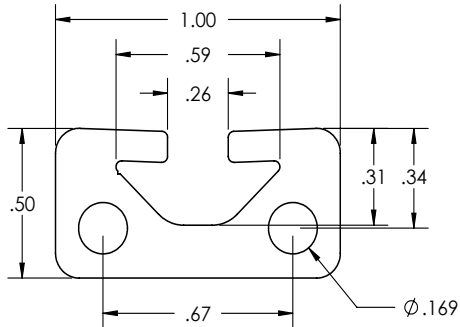


EXTRUSION SECTION

Fractional Extrusions

10 SERIES

TS10-50 - 1.00" x 0.50" Mono Slot



Product Information

ITEM#	SERIES	FINISH	MATERIAL	ALLOY	STOCK LENGTH	WEIGHT	ESTIMATED AREA	MOMENT OF INERTIA	DROP LOCK
650021	10	Clear Anodize	Aluminum	6560-T6	Per inch / Max 145"	.376 lbs/ft	.343 in ²	I _x = .007 in ⁴ I _y = .031 in ⁴	2°
650121		Black Anodize							

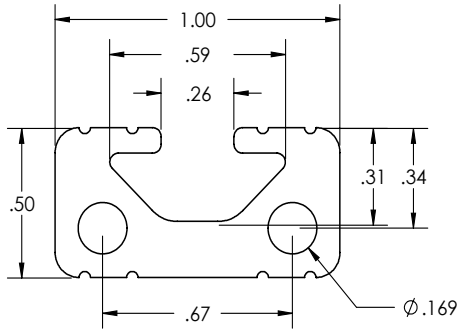
Bulk Information

FINISH	1000 SERIES	BUNDLE PCS QTY	2000 SERIES	BUNDLE PCS QTY	LENGTH
Clear	102639	120	200109	50	145"
Black	191309	120	200110	50	

Machining Services

ITEM#	SERIES	SERVICE DESCRIPTION
660002	10	Cut to Length
660029		Single Access Hole
660022		Single Anchor Fastener
660190		Tap 10-32

TS10-50 GR - 1.00" x 0.50" Grooved Mono Slot



Product Information

ITEM#	SERIES	FINISH	MATERIAL	ALLOY	STOCK LENGTH	WEIGHT	ESTIMATED AREA	MOMENT OF INERTIA	DROP LOCK
650035	10	Clear Anodize	Aluminum	6560-T6	Per inch / Max 145"	.372 lbs/ft	.314 in ²	I _x = .007 in ⁴ I _y = .032 in ⁴	2°
650135		Black Anodize							

Bulk Information

FINISH	1000 SERIES	BUNDLE PCS QTY	2000 SERIES	BUNDLE PCS QTY	LENGTH
Clear	102960	120	200253	50	145"
Black	102961	120	200254	50	

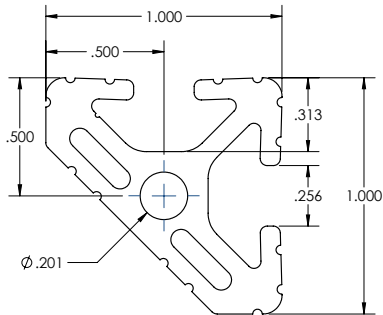
Machining Services

ITEM#	SERIES	SERVICE DESCRIPTION
660002	10	Cut to Length
660029		Single Access Hole
660022		Single Anchor Fastener
660190		Tap 10-32

Fractional Extrusions

10 SERIES

TS10-10 GR 45 - 1.00" x 1.00" Grooved 45 Degree



Product Information

ITEM#	SERIES	FINISH	MATERIAL	ALLOY	STOCK LENGTH	WEIGHT	ESTIMATED AREA	MOMENT OF INERTIA	DROP LOCK
650044	10	Clear Anodize	Aluminum	6560-T6	Per inch / Max 145"	.468 lbs/ft	.390 in ²	I _x = .033 in ⁴ I _y = .033 in ⁴	2°
650144		Black Anodize							

Bulk Information

FINISH	1000 SERIES	BUNDLE PCS QTY	2000 SERIES	BUNDLE PCS QTY	LENGTH
Clear	102645	120	200113	50	145"
Black	102968	120	200258	50	

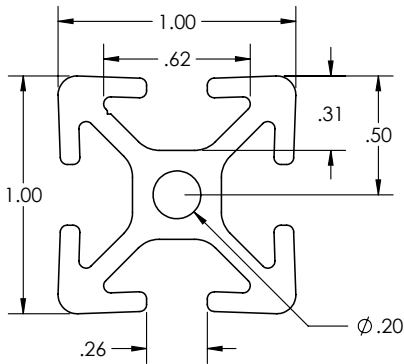
Machining Services

ITEM#	SERIES	SERVICE DESCRIPTION
660002	10	Cut to Length
660029		Single Access Hole
660022		Single Anchor Fastener
660035		Tap 1/4-20
660036		Tap M6

Fractional Extrusions

10 SERIES

TS10-10 - 1.00" x 1.00"



Product Information

ITEM#	SERIES	FINISH	MATERIAL	ALLOY	STOCK LENGTH	WEIGHT	ESTIMATED AREA	MOMENT OF INERTIA	DROP LOCK
650000	10	Clear Anodize	Aluminum	6560-T6	Per inch / Max 240"	.548 lbs/ft	.457 in ²	I _x = .046 in ⁴ I _y = .046 in ⁴	2°
650100		Black Anodize							

Bulk Information

FINISH	1000 SERIES	BUNDLE PCS QTY	2000 SERIES	BUNDLE PCS QTY	LENGTH
Clear	100000	171	200000	50	240"
Black	100100	171	200100	50	

Machining Services

ITEM#	SERIES	SERVICE DESCRIPTION
660002	10	Cut to Length
660029		Single Access Hole
660022		Single Anchor Fastener
660035		Tap 1/4-20
660036		Tap M6

End Cap

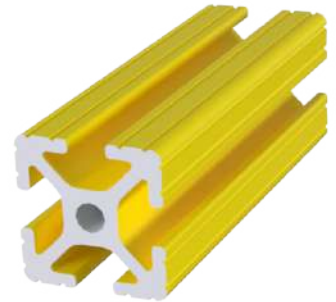
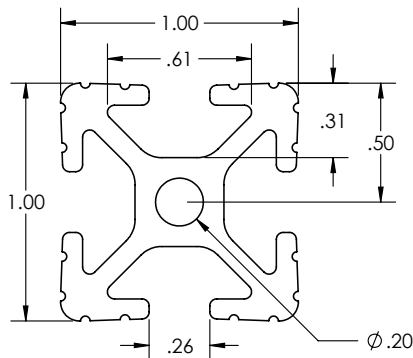
ITEM#	COLOR	STYLE
655000	Black	Standard
655842		Blank
655858		W-Hole

* See page 372 & 373 for end caps

Fractional Extrusions

10 SERIES

TS10-10 GR - 1.00" x 1.00" Grooved



Product Information

ITEM#	SERIES	FINISH	MATERIAL	ALLOY	STOCK LENGTH	WEIGHT	ESTIMATED AREA	MOMENT OF INERTIA	DROP LOCK
650070	10	Clear Anodize	Aluminum	6560-T6	Per inch / Max 240"	.548 lbs/ft	.457 in ²	I _x = .046 in ⁴ I _y = .046 in ⁴	2°
650170		Black Anodize							
650270		Yellow Powder Coat			Per inch / Max 144"				

Bulk Information

FINISH	1000 SERIES	BUNDLE PCS QTY	2000 SERIES	BUNDLE PCS QTY	LENGTH
Clear	100038	180	200020	50	240"
Black	100075	180	200075	50	

Machining Services

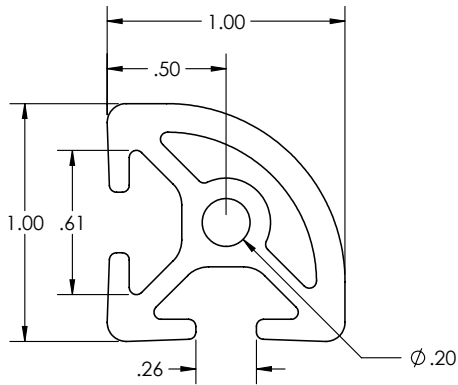
ITEM#	SERIES	SERVICE DESCRIPTION
660002	10	Cut to Length
660029		Single Access Hole
660022		Single Anchor Fastener
660035		Tap 1/4-20
660036		Tap M6

End Cap

ITEM#	COLOR	STYLE
655000	Black	Standard
655842		Blank
655858		W-Hole

* See page 372 & 373 for end caps

TS10-10 QR - 1.00" x 1.00" Quarter Round



Product Information

ITEM#	SERIES	FINISH	MATERIAL	ALLOY	STOCK LENGTH	WEIGHT	ESTIMATED AREA	MOMENT OF INERTIA	DROP LOCK
650040	10	Clear Anodize	Aluminum	6560-T6	Per inch / Max 240"	.562 lbs/ft	.473 in ²	I _x = .044 in ⁴ I _y = .044 in ⁴	2°
650140		Black Anodize							

Bulk Information

FINISH	1000 SERIES	BUNDLE PCS QTY	2000 SERIES	BUNDLE PCS QTY	LENGTH
Clear	102643	120	200122	50	240"
Black	191304	120	200123	50	

Machining Services

ITEM#	SERIES	SERVICE DESCRIPTION
660002	10	Cut to Length
660029		Single Access Hole
660022		Single Anchor Fastener
660035		Tap 1/4-20
660036		Tap M6

End Cap

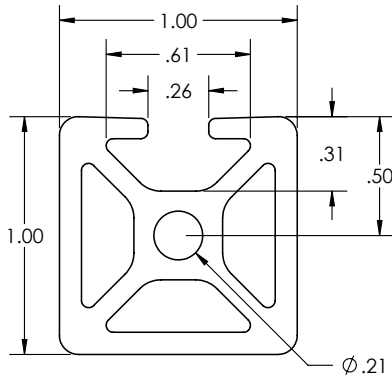
ITEM#	COLOR	STYLE
655855	Black	Blank
655005		W-Hole

* See page 372 & 373 for end caps

Fractional Extrusions

10 SERIES

TS10-10 Mono - 1.00" x 1.00" Mono Slot

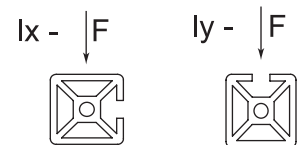


Product Information

ITEM#	SERIES	FINISH	MATERIAL	ALLOY	STOCK LENGTH	WEIGHT	ESTIMATED AREA	MOMENT OF INERTIA	DROP LOCK
650060	10	Clear Anodize	Aluminum	6560-T6	Per inch / Max 240"	.637 lbs/ft	.531 in ²	I _x = .051 in ⁴ I _y = .057 in ⁴	2°
650160		Black Anodize							

Bulk Information

FINISH	1000 SERIES	BUNDLE PCS QTY	2000 SERIES	BUNDLE PCS QTY	LENGTH
Clear	100023	120	200112	50	240"
Black	103050	120	200333	50	



Machining Services

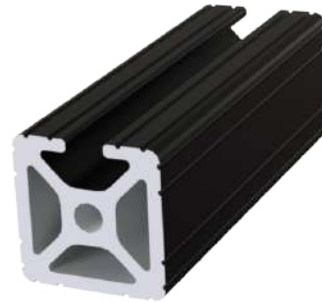
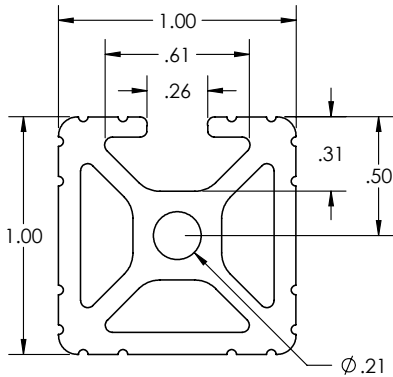
ITEM#	SERIES	SERVICE DESCRIPTION
660002	10	Cut to Length
660029		Single Access Hole
660022		Single Anchor Fastener
660035		Tap 1/4-20
660036		Tap M6

End Cap

ITEM#	COLOR	STYLE
655000	Black	Standard
655842		Blank
655858		W-Hole

* See page 372 & 373 for end caps

TS10-10 GR Mono - 1.00" x 1.00" Grooved Mono Slot

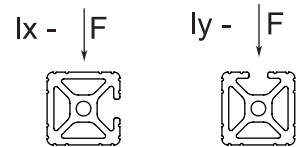


Product Information

ITEM#	SERIES	FINISH	MATERIAL	ALLOY	STOCK LENGTH	WEIGHT	ESTIMATED AREA	MOMENT OF INERTIA	DROP LOCK
650030	10	Clear Anodize	Aluminum	6560-T6	Per inch / Max 240"	.624 lbs/ft	.522 in ²	I _x = .049 in ⁴ I _y = .055 in ⁴	2°
650130		Black Anodize							

Bulk Information

FINISH	1000 SERIES	BUNDLE PCS QTY	2000 SERIES	BUNDLE PCS QTY	LENGTH
Clear	102962	120	200255	50	240"
Black	102964	120	200310	50	



Machining Services

ITEM#	SERIES	SERVICE DESCRIPTION
660002	10	Cut to Length
660029		Single Access Hole
660022		Single Anchor Fastener
660035		Tap 1/4-20
660036		Tap M6

End Cap

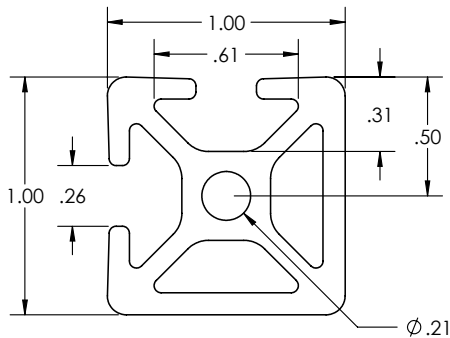
ITEM#	COLOR	STYLE
655000	Black	Standard
655842		Blank
655858		W-Hole

* See page 372 & 373 for end caps

Fractional Extrusions

10 SERIES

TS10-10 BIADJ - 1.00" x 1.00" Bi Slot Adjacent



Product Information

ITEM#	SERIES	FINISH	MATERIAL	ALLOY	STOCK LENGTH	WEIGHT	ESTIMATED AREA	MOMENT OF INERTIA	DROP LOCK
650061	10	Clear Anodize	Aluminum	6560-T6	Per inch / Max 240"	.605 lbs/ft	.504 in ²	I _x = .051 in ⁴ I _y = .051 in ⁴	2°
650161		Black Anodize							

Bulk Information

FINISH	1000 SERIES	BUNDLE PCS QTY	2000 SERIES	BUNDLE PCS QTY	LENGTH
Clear	100024	120	200114	50	240"
Black	191300	120	200116	50	

Machining Services

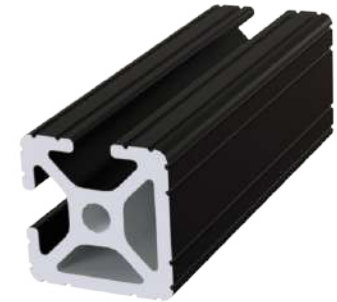
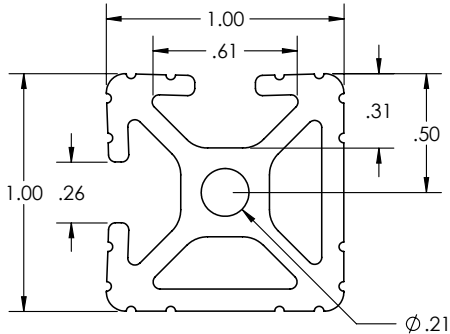
ITEM#	SERIES	SERVICE DESCRIPTION
660002	10	Cut to Length
660029		Single Access Hole
660022		Single Anchor Fastener
660035		Tap 1/4-20
660036		Tap M6

End Cap

ITEM#	COLOR	STYLE
655000	Black	Standard
655842		Blank
655858		W-Hole

* See page 372 & 373 for end caps

TS10-10 GR BIADJ - 1.00" x 1.00" Grooved Bi Slot Adjacent



Product Information

ITEM#	SERIES	FINISH	MATERIAL	ALLOY	STOCK LENGTH	WEIGHT	ESTIMATED AREA	MOMENT OF INERTIA	DROP LOCK
650043	10	Clear Anodize	Aluminum	6560-T6	Per inch / Max 240"	.592 lbs/ft	.494 in ²	I _x = .049 in ⁴ I _y = .049 in ⁴	2°
650143		Black Anodize							

Bulk Information

FINISH	1000 SERIES	BUNDLE PCS QTY	2000 SERIES	BUNDLE PCS QTY	LENGTH
Clear	102638	120	200118	50	240"
Black	102965	120	200256	50	

Machining Services

ITEM#	SERIES	SERVICE DESCRIPTION
660002	10	Cut to Length
660029		Single Access Hole
660022		Single Anchor Fastener
660035		Tap 1/4-20
660036		Tap M6

End Cap

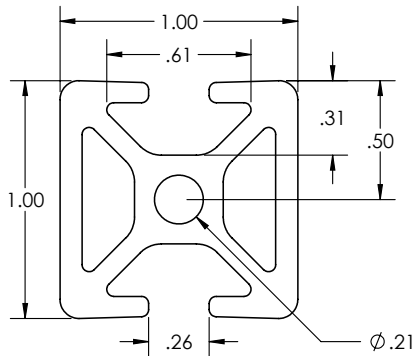
ITEM#	COLOR	STYLE
655000	Black	Standard
655842		Blank
655858		W-Hole

* See page 372 & 373 for end caps

Fractional Extrusions

10 SERIES

TS10-10 BIOPP - 1.00" x 1.00" Bi Slot Opposite

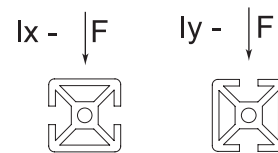


Product Information

ITEM#	SERIES	FINISH	MATERIAL	ALLOY	STOCK LENGTH	WEIGHT	ESTIMATED AREA	MOMENT OF INERTIA	DROP LOCK
650062	10	Clear Anodize	Aluminum	6560-T6	Per inch / Max 240"	.605 lbs/ft	.504 in ²	I _x = .046 in ⁴ I _y = .057 in ⁴	2°
650162		Black Anodize							

Bulk Information

FINISH	1000 SERIES	BUNDLE PCS QTY	2000 SERIES	BUNDLE PCS QTY	LENGTH
Clear	102640	120	200119	50	240"
Black	102967	120	200257	50	



Machining Services

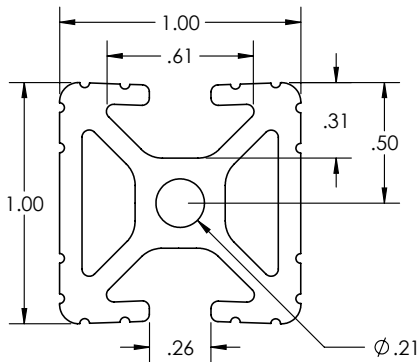
ITEM#	SERIES	SERVICE DESCRIPTION
660002	10	Cut to Length
660029		Single Access Hole
660022		Single Anchor Fastener
660035		Tap 1/4-20
660036		Tap M6

End Cap

ITEM#	COLOR	STYLE
655000	Black	Standard
655842		Blank
655858		W-Hole

* See page 372 & 373 for end caps

TS10-10 GR BIOPP - 1.00" x 1.00" Grooved Bi Slot Opposite

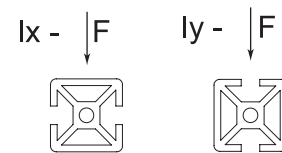


Product Information

ITEM#	SERIES	FINISH	MATERIAL	ALLOY	STOCK LENGTH	WEIGHT	ESTIMATED AREA	MOMENT OF INERTIA	DROP LOCK
650098	10	Clear Anodize	Aluminum	6560-T6	Per inch / Max 240"	.592 lbs/ft	.493 in ²	I _x = .044 in ⁴ I _y = .055 in ⁴	2°
650198		Black Anodize							

Bulk Information

FINISH	1000 SERIES	BUNDLE PCS QTY	2000 SERIES	BUNDLE PCS QTY	LENGTH
Clear	102642	120	200120	50	240"
Black	191302	120	200121	50	



Machining Services

ITEM#	SERIES	SERVICE DESCRIPTION
660002	10	Cut to Length
660029		Single Access Hole
660022		Single Anchor Fastener
660035		Tap 1/4-20
660036		Tap M6

End Cap

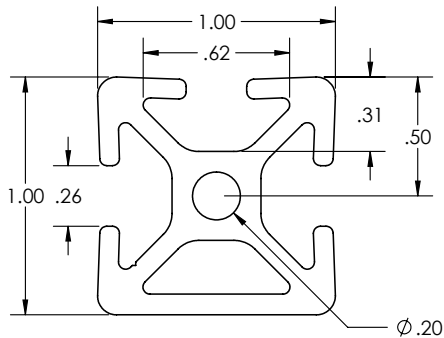
ITEM#	COLOR	STYLE
655000	Black	Standard
655842		Blank
655858		W-Hole

* See page 372 & 373 for end caps

Fractional Extrusions

10 SERIES

TS10-10 TRI - 1.00" x 1.00" Tri Slot

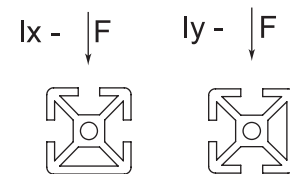


Product Information

ITEM#	SERIES	FINISH	MATERIAL	ALLOY	STOCK LENGTH	WEIGHT	ESTIMATED AREA	MOMENT OF INERTIA	DROP LOCK
650063	10	Clear Anodize	Aluminum	6560-T6	Per inch / Max 240"	.563 lbs/ft	.477 in ²	I _x = .046 in ⁴ I _y = .051 in ⁴	2°
650163		Black Anodize							

Bulk Information

FINISH	1000 SERIES	BUNDLE PCS QTY	2000 SERIES	BUNDLE PCS QTY	LENGTH
Clear	100025	152	200124	50	240"
Black	191301	120	200125	50	



Machining Services

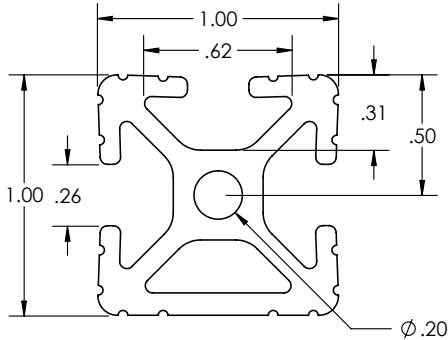
ITEM#	SERIES	SERVICE DESCRIPTION
660002	10	Cut to Length
660029		Single Access Hole
660022		Single Anchor Fastener
660035		Tap 1/4-20
660036		Tap M6

End Cap

ITEM#	COLOR	STYLE
655000	Black	Standard
655842		Blank
655858		W-Hole

* See page 372 & 373 for end caps

TS10-10 GR TRI - 1.00" x 1.00" Grooved Tri Slot

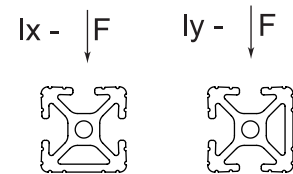


Product Information

ITEM#	SERIES	FINISH	MATERIAL	ALLOY	STOCK LENGTH	WEIGHT	ESTIMATED AREA	MOMENT OF INERTIA	DROP LOCK
650078	10	Clear Anodize	Aluminum	6560-T6	Per inch / Max 240"	.559 lbs/ft	.466 in ²	I _x = .043 in ⁴ I _y = .049 in ⁴	2°
650178		Black Anodize							

Bulk Information

FINISH	1000 SERIES	BUNDLE PCS QTY	2000 SERIES	BUNDLE PCS QTY	LENGTH
Clear	102642	120	200126	50	240"
Black	191303	120	200127	50	



Machining Services

ITEM#	SERIES	SERVICE DESCRIPTION
660002	10	Cut to Length
660029		Single Access Hole
660022		Single Anchor Fastener
660035		Tap 1/4-20
660036		Tap M6

End Cap

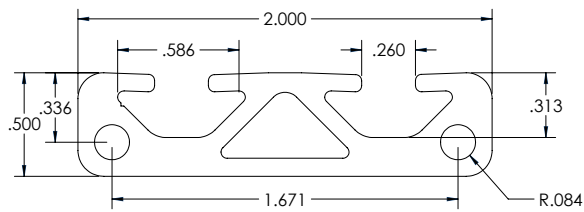
ITEM#	COLOR	STYLE
655000	Black	Standard
655842		Blank
655858		W-Hole

* See page 372 & 373 for end caps

Fractional Extrusions

10 SERIES

TS20-50 - 2.00" x 0.50"



Product Information

ITEM#	SERIES	FINISH	MATERIAL	ALLOY	STOCK LENGTH	WEIGHT	ESTIMATED AREA	MOMENT OF INERTIA	DROP LOCK
650011	10	Clear Anodize	Aluminum	6560-T6	Per inch / Max 145"	.674 lbs/ft	.562 in ²	I _x = .014 in ⁴ I _y = .217 in ⁴	2°
650111		Black Anodize							

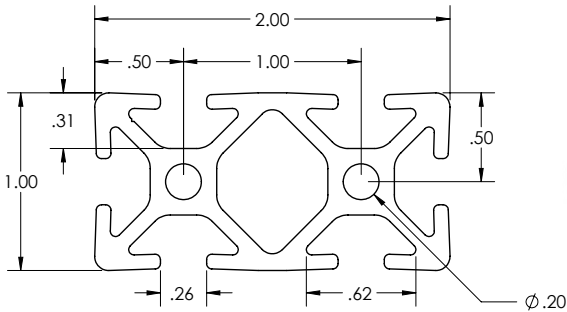
Bulk Information

FINISH	1000 SERIES	BUNDLE PCS QTY	2000 SERIES	BUNDLE PCS QTY	LENGTH
Clear	102646	120	200211	48	145"
Black	102969	120	200259	48	

Machining Services

ITEM#	SERIES	SERVICE DESCRIPTION
660000	10	Cut to Length
660029		Single Access Hole
660022		Single Anchor Fastener
650190		Tap 10-32

TS10-20 - 1.00" x 2.00"

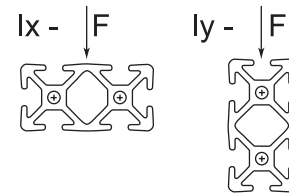


Product Information

ITEM#	SERIES	FINISH	MATERIAL	ALLOY	STOCK LENGTH	WEIGHT	ESTIMATED AREA	MOMENT OF INERTIA	DROP LOCK
650002	10	Clear Anodize	Aluminum	6560-T6	Per inch / Max 240"	.962 lbs/ft	.824 in ²	I _x = .087 in ⁴ I _y = .321 in ⁴	2°
650102		Black Anodize							

Bulk Information

FINISH	1000 SERIES	BUNDLE PCS QTY	2000 SERIES	BUNDLE PCS QTY	LENGTH
Clear	100073	99	200073	48	240"
Black	100173	99	200173	48	



Machining Services

ITEM#	SERIES	SERVICE DESCRIPTION
660000	10	Cut to Length
660029		Single Access Hole
660022		Single Anchor Fastener
660025		Tap 1/4-20
660026		Tap M6

End Cap

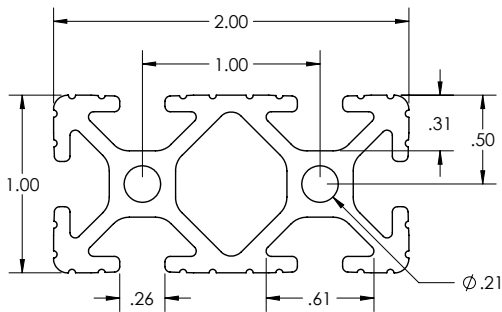
ITEM#	COLOR	STYLE
655010	Black	Standard
655873		Blank
655860		W-Hole

* See page 372 & 373 for end caps

Fractional Extrusions

10 SERIES

TS10-20 GR - 1.00" x 2.00" Grooved

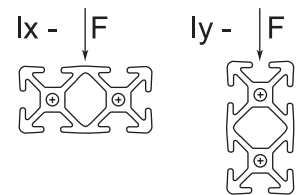


Product Information

ITEM#	SERIES	FINISH	MATERIAL	ALLOY	STOCK LENGTH	WEIGHT	ESTIMATED AREA	MOMENT OF INERTIA	DROP LOCK
650071	10	Clear Anodize	Aluminum	6560-T6	Per inch / Max 240"	.970 lbs/ft	.824 in ²	I _x = .087 in ⁴ I _y = .321 in ⁴	2°
650171		Black Anodize							

Bulk Information

FINISH	1000 SERIES	BUNDLE PCS QTY	2000 SERIES	BUNDLE PCS QTY	LENGTH
Clear	100107	99	200129	48	240"
Black	191305	90	200130	48	



Machining Services

ITEM#	SERIES	SERVICE DESCRIPTION
660000	10	Cut to Length
660029		Single Access Hole
660022		Single Anchor Fastener
660025		Tap 1/4-20
660026		Tap M6

End Cap

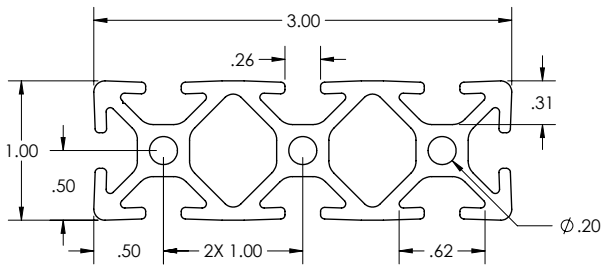
ITEM#	COLOR	STYLE
655010	Black	Standard
655873		Blank
655860		W-Hole

* See page 372 & 373 for end caps

Fractional Extrusions

10 SERIES

TS10-30 - 1.00" x 3.00"

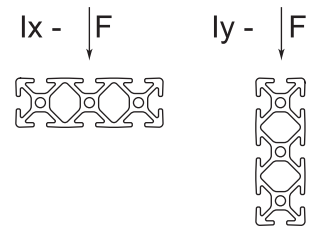


Product Information

ITEM#	SERIES	FINISH	MATERIAL	ALLOY	STOCK LENGTH	WEIGHT	ESTIMATED AREA	MOMENT OF INERTIA	DROP LOCK
650001	10	Clear Anodize	Aluminum	6560-T6	Per inch / Max 240"	1.397lbs/ft	1.169in ²	I _x = .125 in ⁴ I _y = .986 in ⁴	2°
650101		Black Anodize							

Bulk Information

FINISH	1000 SERIES	BUNDLE PCS QTY	2000 SERIES	BUNDLE PCS QTY	LENGTH
Clear	100086	72	200086	24	240"
Black	101599	72	200186	24	



Machining Services

ITEM#	SERIES	SERVICE DESCRIPTION
660001	10	Cut to Length
660029		Single Access Hole
660022		Single Anchor Fastener
660016		Tap 1/4-20
660017		Tap M6

End Cap

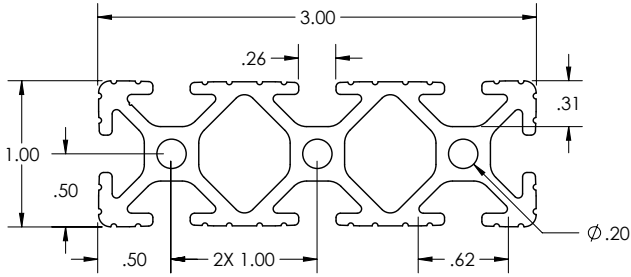
ITEM#	COLOR	STYLE
655015	Black	Standard
655872		Blank
655861		W-Hole

* See page 372 & 373 for end caps

Fractional Extrusions

10 SERIES

TS10-30 GR - 1.00" x 3.00"

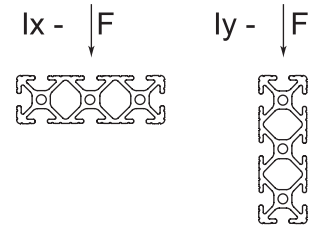


Product Information

ITEM#	SERIES	FINISH	MATERIAL	ALLOY	STOCK LENGTH	WEIGHT	ESTIMATED AREA	MOMENT OF INERTIA	DROP LOCK
650087	10	Clear Anodize	Aluminum	6560-T6	Per inch / Max 240"	1.397lbs/ft	1.169in ²	I _x = .125 in ⁴ I _y = .986 in ⁴	2°
650187		Black Anodize							

Bulk Information

FINISH	1000 SERIES	BUNDLE PCS QTY	2000 SERIES	BUNDLE PCS QTY	LENGTH
Clear	102644	50	200131	24	240"
Black	191306	50	200132	24	



Machining Services

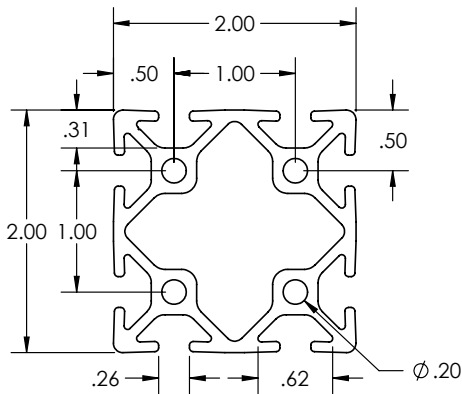
ITEM#	SERIES	SERVICE DESCRIPTION
660001	10	Cut to Length
660029		Single Access Hole
660022		Single Anchor Fastener
660016		Tap 1/4-20
660017		Tap M6

End Cap

ITEM#	COLOR	STYLE
655015	Black	Standard
655872		Blank
655861		W-Hole

* See page 372 & 373 for end caps

TS20-20 - 2.00" x 2.00"



Product Information

ITEM#	SERIES	FINISH	MATERIAL	ALLOY	STOCK LENGTH	WEIGHT	ESTIMATED AREA	MOMENT OF INERTIA	DROP LOCK
650003	10	Clear Anodize	Aluminum	6560-T6	Per inch / Max 240"	1.511 lbs/ft	1.285 in ²	I _x = .578 in ⁴ I _y = .578 in ⁴	2°
650103		Black Anodize							

Bulk Information

FINISH	1000 SERIES	BUNDLE PCS QTY	2000 SERIES	BUNDLE PCS QTY	LENGTH
Clear	100011	48	200011	24	240"
Black	100111	48	200111	24	

Machining Services

ITEM#	SERIES	SERVICE DESCRIPTION
660004	10	Cut to Length
660029		Single Access Hole
660022		Single Anchor Fastener
660037		Tap 1/4-20
660040		Tap M6

End Cap

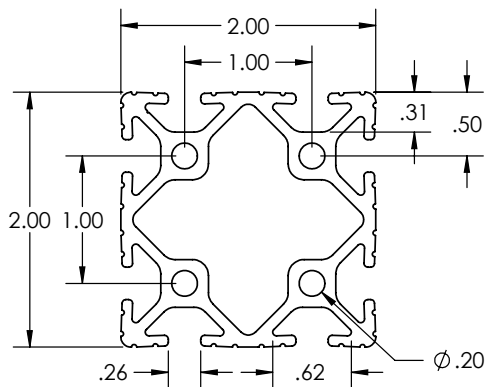
ITEM#	COLOR	STYLE
655020	Black	Standard
655856		Blank
655862		W-Hole

* See page 372 & 373 for end caps

Fractional Extrusions

10 SERIES

TS20-20 GR - 2.00" x 2.00" Grooved



Product Information

ITEM#	SERIES	FINISH	MATERIAL	ALLOY	STOCK LENGTH	WEIGHT	ESTIMATED AREA	MOMENT OF INERTIA	DROP LOCK
650072	10	Clear Anodize	Aluminum	6560-T6	Per inch / Max 240"	1.487 lbs/ft	1.285 in ²	I _x = .578 in ⁴ I _y = .578 in ⁴	2°
650172		Black Anodize							

Bulk Information

FINISH	1000 SERIES	BUNDLE PCS QTY	2000 SERIES	BUNDLE PCS QTY	LENGTH
Clear	100065	48	200133	24	240"
Black	191307	48	200134	24	

Machining Services

ITEM#	SERIES	SERVICE DESCRIPTION
660004	10	Cut to Length
660029		Single Access Hole
660022		Single Anchor Fastener
660037		Tap 1/4-20
660040		Tap M6

End Cap

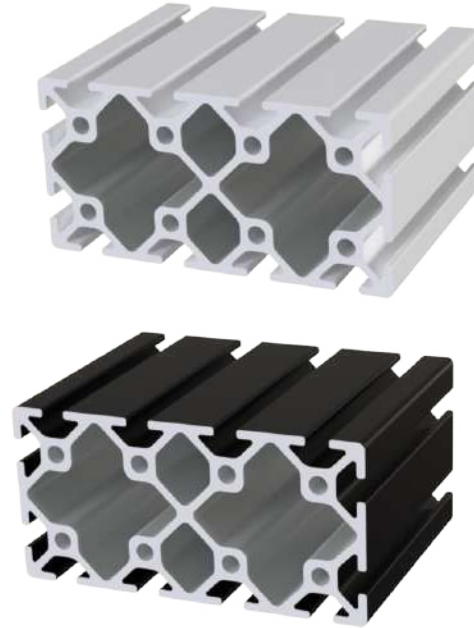
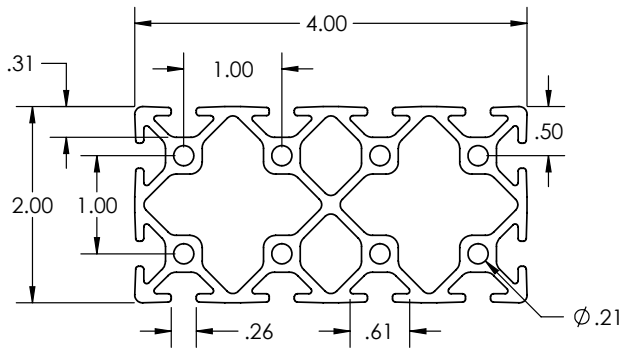
ITEM#	COLOR	STYLE
655020	Black	Standard
655856		Blank
655862		W-Hole

* See page 372 & 373 for end caps

Fractional Extrusions

10 SERIES

TS20-40 - 2.00" x 4.00"

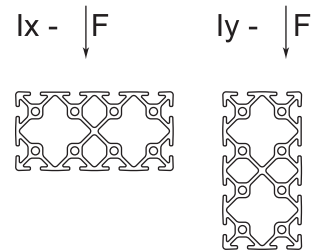


Product Information

ITEM#	SERIES	FINISH	MATERIAL	ALLOY	STOCK LENGTH	WEIGHT	ESTIMATED AREA	MOMENT OF INERTIA	DROP LOCK
650004	10	Clear Anodize	Aluminum	6560-T6	Per inch / Max 240"	2.820 lbs/ft	2.350 in ²	I _x = 1.075 in ⁴ I _y = 3.656 in ⁴	2°
650104		Black Anodize							

Bulk Information

FINISH	1000 SERIES	BUNDLE PCS QTY	2000 SERIES	BUNDLE PCS QTY	LENGTH
Clear	100026	30	200135	12	240"
Black	191308	30	200136	12	



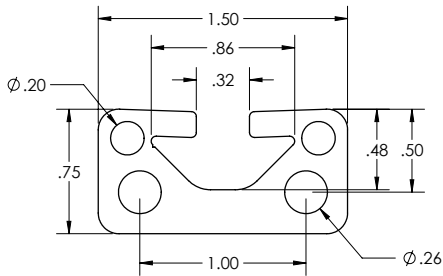
Machining Services

ITEM#	SERIES	SERVICE DESCRIPTION
660005	10	Cut to Length
660029		Single Access Hole
660022		Single Anchor Fastener
660018		Tap 1/4-20
660019		Tap M6

Fractional Extrusions

15 SERIES

TS15-75 - 1.50" x .75"

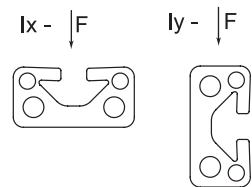


Product Information

ITEM#	SERIES	FINISH	MATERIAL	ALLOY	STOCK LENGTH	WEIGHT	ESTIMATED AREA	MOMENT OF INERTIA	DROP LOCK
650007	15	Clear Anodize	Aluminum	6560-T6	Per inch / Max 145"	.833 lbs/ft	.694 in ²	I _x = .037 in ⁴ I _y = .147 in ⁴	2°
650107		Black Anodize							

Bulk Information

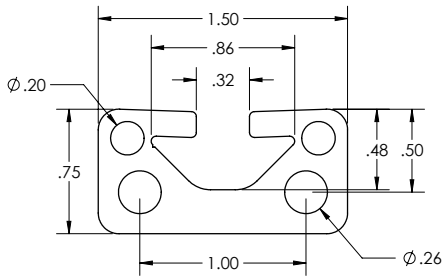
FINISH	1000 SERIES	BUNDLE PCS QTY	2000 SERIES	BUNDLE PCS QTY	LENGTH
Clear	100028	150	200137	50	145"
Black	103104	150	200138	50	



Machining Services

ITEM#	SERIES	SERVICE DESCRIPTION
660003	15	Cut to Length
660028		Single Access Hole
660020		Single Anchor Fastener
660034		Tap 5/16-18
660033		Tap M8
660009		Tap 3/8-19

TS15-75 GR - 1.50" x .75" Grooved

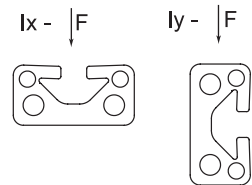


Product Information

ITEM#	SERIES	FINISH	MATERIAL	ALLOY	STOCK LENGTH	WEIGHT	ESTIMATED AREA	MOMENT OF INERTIA	DROP LOCK
650094	15	Clear Anodize	Aluminum	6560-T6	Per inch / Max 145"	.812 lbs/ft	.677 in ²	I _x = .035 in ⁴ I _y = .145 in ⁴	2°
650194		Black Anodize							

Bulk Information

FINISH	1000 SERIES	BUNDLE PCS QTY	2000 SERIES	BUNDLE PCS QTY	LENGTH
Clear	102970	150	200243	50	145"
Black	102971	150	200244	50	



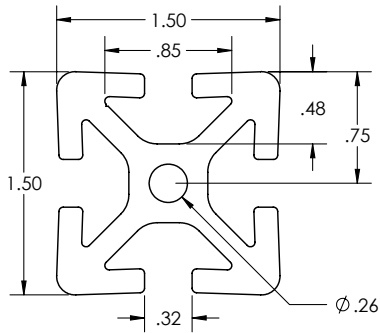
Machining Services

ITEM#	SERIES	SERVICE DESCRIPTION
660003	15	Cut to Length
660028		Single Access Hole
660020		Single Anchor Fastener
660034		Tap 5/16-18
660033		Tap M8
660009		Tap 3/8-19

Fractional Extrusions

15 SERIES

TS15-15 - 1.50" x 1.50"



Product Information

ITEM#	SERIES	FINISH	MATERIAL	ALLOY	STOCK LENGTH	WEIGHT	ESTIMATED AREA	MOMENT OF INERTIA	DROP LOCK
650005	15	Clear Anodize	Aluminum	6560-T6	Per inch / Max 240"	1.406 lbs/ft	1.198 in ²	I _x = .266 in ⁴ I _y = .266 in ⁴	2°
650105		Black Anodize							

Bulk Information

FINISH	1000 SERIES	BUNDLE PCS QTY	2000 SERIES	BUNDLE PCS QTY	LENGTH
Clear	100012	65	200012	33	240"
Black	100098	65	200141	33	

Machining Services

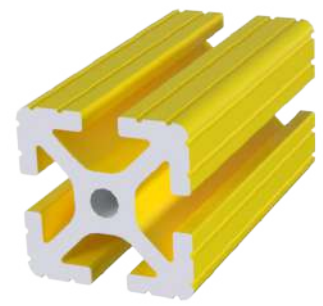
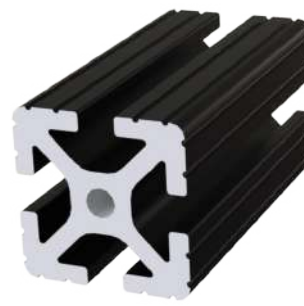
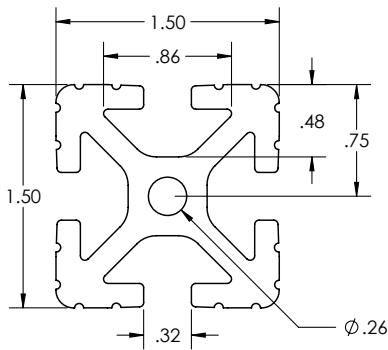
ITEM#	SERIES	SERVICE DESCRIPTION
660003	15	Cut to Length
660028		Single Access Hole
660020		Single Anchor Fastener
660034		Tap 5-16/18
660033		Tap M8
660009		Tap 3/8-16

End Cap

ITEM#	COLOR	STYLE
655025	Black	Standard
655843		Blank
655863		W-Hole
655850	Blue	Standard

* See page 372 & 373 for end caps

TS15-15 GR - 1.50" x 1.50" Grooved



Product Information

ITEM#	SERIES	FINISH	MATERIAL	ALLOY	STOCK LENGTH	WEIGHT	ESTIMATED AREA	MOMENT OF INERTIA	DROP LOCK
650080	15	Clear Anodize	Aluminum	6560-T6	Per inch / Max 240"	1.338 lbs/ft	1.198 in ²	I _x = .266 in ⁴ I _y = .266 in ⁴	2°
650180		Black Anodize							
650280		Yellow Powder Coat			Per inch / Max 144"				

Bulk Information

FINISH	1000 SERIES	BUNDLE PCS QTY	2000 SERIES	BUNDLE PCS QTY	LENGTH
Clear	100067	65	200142	33	240"
Black	102854	60	200143	33	

Machining Services

ITEM#	SERIES	SERVICE DESCRIPTION
660003	15	Cut to Length
660028		Single Access Hole
660020		Single Anchor Fastener
660034		Tap 5-16/18
660033		Tap M8
660009		Tap 3/8-16

End Cap

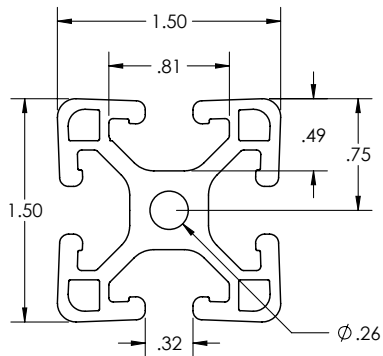
ITEM#	COLOR	STYLE
655025	Black	Standard
655843		Blank
655863		W-Hole
655850	Blue	Standard

* See page 372 & 373 for end caps

Fractional Extrusions

15 SERIES

TS15-15 L - 1.50" x 1.50" Lite



Product Information

ITEM#	SERIES	FINISH	MATERIAL	ALLOY	STOCK LENGTH	WEIGHT	ESTIMATED AREA	MOMENT OF INERTIA	DROP LOCK
650006	15	Clear Anodize	Aluminum	6560-T6	Per inch / Max 240"	1.093 lbs/ft	.925 in ²	I _x = .194 in ⁴ I _y = .194 in ⁴	2°
650106		Black Anodize							

Bulk Information

FINISH	1000 SERIES	BUNDLE PCS QTY	2000 SERIES	BUNDLE PCS QTY	LENGTH
Clear	100013	90	200013	33	240"
Black	100077	90	200077	33	

Machining Services

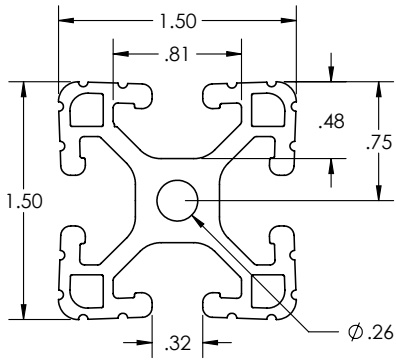
ITEM#	SERIES	SERVICE DESCRIPTION
660003	15	Cut to Length
660028		Single Access Hole
660020		Single Anchor Fastener
660034		Tap 5-16/18
660033		Tap M8
660009		Tap 3/8-16

End Cap

ITEM#	COLOR	STYLE
655025	Black	Standard
655843		Blank
655863		W-Hole
655850	Blue	Standard

* See page 372 & 373 for end caps

TS15-15 LGR - 1.50" x 1.50" Lite Grooved



Product Information

ITEM#	SERIES	FINISH	MATERIAL	ALLOY	STOCK LENGTH	WEIGHT	ESTIMATED AREA	MOMENT OF INERTIA	DROP LOCK
650048	15	Clear Anodize	Aluminum	6560-T6	Per inch / Max 240"	1.066 lbs/ft	.925 in ²	I _x = .194 in ⁴ I _y = .194 in ⁴	2°
650148		Black Anodize							
650248		Yellow Powder Coat			Per inch / Max 144"				

Bulk Information

FINISH	1000 SERIES	BUNDLE PCS QTY	2000 SERIES	BUNDLE PCS QTY	LENGTH
Clear	100148	90	200148	33	240"
Black	102855	90	200042	33	

Machining Services

ITEM#	SERIES	SERVICE DESCRIPTION
660003	15	Cut to Length
660028		Single Access Hole
660020		Single Anchor Fastener
660034		Tap 5-16/18
660033		Tap M8
660009		Tap 3/8-16

End Cap

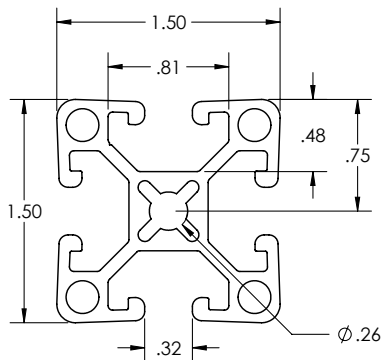
ITEM#	COLOR	STYLE
655025	Black	Standard
655843		Blank
655863		W-Hole
655850	Blue	Standard

* See page 372 & 373 for end caps

Fractional Extrusions

15 SERIES

TS15-15 VL - 1.50" x 1.50" Very Lite



Product Information

ITEM#	SERIES	FINISH	MATERIAL	ALLOY	STOCK LENGTH	WEIGHT	ESTIMATED AREA	MOMENT OF INERTIA	DROP LOCK
650018	15	Clear Anodize	Aluminum	6560-T6	Per inch / Max 240"	.932 lbs/ft	.771 in ²	I _x = .172 in ⁴ I _y = .172 in ⁴	2°
650118		Black Anodize							

Bulk Information

FINISH	1000 SERIES	BUNDLE PCS QTY	2000 SERIES	BUNDLE PCS QTY	LENGTH
Clear	100010	96	200010	33	240"
Black	101044	96	200144	33	

Machining Services

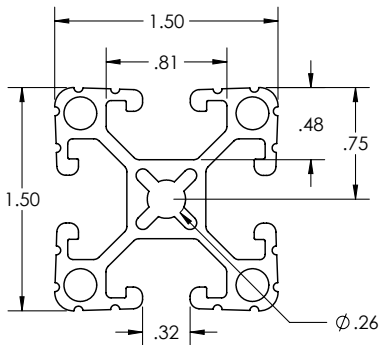
ITEM#	SERIES	SERVICE DESCRIPTION
660003	15	Cut to Length
660028		Single Access Hole
660020		Single Anchor Fastener
660034		Tap 5-16/18
660033		Tap M8
660009		Tap 3/8-16

End Cap

ITEM#	COLOR	STYLE
655025	Black	Standard
655843		Blank
655863		W-Hole
655850	Blue	Standard

* See page 356 for end caps

TS15-15 VLGR - 1.50" x 1.50" Very Lite Grooved



Product Information

ITEM#	SERIES	FINISH	MATERIAL	ALLOY	STOCK LENGTH	WEIGHT	ESTIMATED AREA	MOMENT OF INERTIA	DROP LOCK
650081	15	Clear Anodize	Aluminum	6560-T6	Per inch / Max 240"	.898 lbs/ft	.771 in ²	I _x = .172 in ⁴ I _y = .172 in ⁴	2°
650181		Black Anodize							

Bulk Information

FINISH	1000 SERIES	BUNDLE PCS QTY	2000 SERIES	BUNDLE PCS QTY	LENGTH
Clear	10118	104	200145	33	240"
Black	103018	104	200245	33	

Machining Services

ITEM#	SERIES	SERVICE DESCRIPTION
660003	15	Cut to Length
660028		Single Access Hole
660020		Single Anchor Fastener
660034		Tap 5/16-18
660033		Tap M8
660009		Tap 3/8-19

End Cap

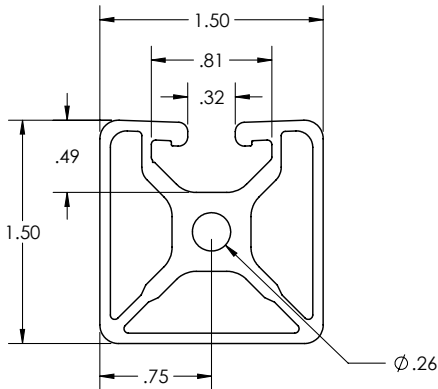
ITEM#	COLOR	STYLE
655025	Black	Standard
655843		Blank
655863		W-Hole
655850	Blue	Standard

* See page 356 for end caps

Fractional Extrusions

15 SERIES

TS15-15 L MONO - 1.50" x 1.50" Lite Mono Slot

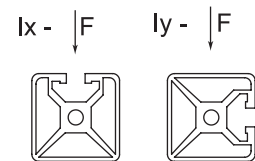


Product Information

ITEM#	SERIES	FINISH	MATERIAL	ALLOY	STOCK LENGTH	WEIGHT	ESTIMATED AREA	MOMENT OF INERTIA	DROP LOCK
650014	15	Clear Anodize	Aluminum	6560-T6	Per inch / Max 240"	1.014 lbs/ft	.846 in ²	Ix = .178 in ⁴ Iy = .180 in ⁴	2°
650114		Black Anodize							

Bulk Information

FINISH	1000 SERIES	BUNDLE PCS QTY	2000 SERIES	BUNDLE PCS QTY	LENGTH
Clear	101535	90	200146	33	240"
Black	102856	90	200147	33	



Machining Services

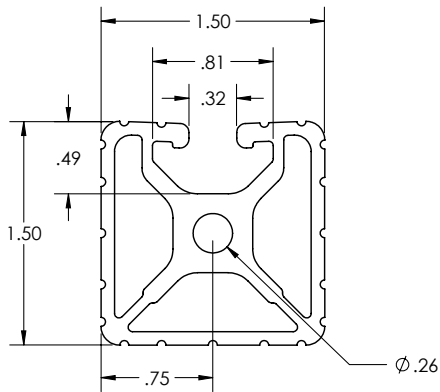
ITEM#	SERIES	SERVICE DESCRIPTION
660003	15	Cut to Length
660028		Single Access Hole
660020		Single Anchor Fastener
660034		Tap 5-16/18
660033		Tap M8
660009		Tap 3/8-16

End Cap

ITEM#	COLOR	STYLE
655025	Black	Standard
655843		Blank
655863		W-Hole
655850	Blue	Standard

* See page 372 & 373 for end caps

TS15-15 LGR MONO - 1.50" x 1.50" Lite Grooved Mono Slot

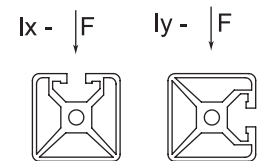


Product Information

ITEM#	SERIES	FINISH	MATERIAL	ALLOY	STOCK LENGTH	WEIGHT	ESTIMATED AREA	MOMENT OF INERTIA	DROP LOCK
650085	15	Clear Anodize	Aluminum	6560-T6	Per inch / Max 240"	1.091 lbs/ft	.909 in ²	I _x = .194 in ⁴ I _y = .198 in ⁴	2°
650185		Black Anodize							

Bulk Information

FINISH	1000 SERIES	BUNDLE PCS QTY	2000 SERIES	BUNDLE PCS QTY	LENGTH
Clear	103020	90	200149	33	240"
Black	102857	90	200150	33	



Machining Services

ITEM#	SERIES	SERVICE DESCRIPTION
660003	15	Cut to Length
660028		Single Access Hole
660020		Single Anchor Fastener
660034		Tap 5-16/18
660033		Tap M8
660009		Tap 3/8-16

End Cap

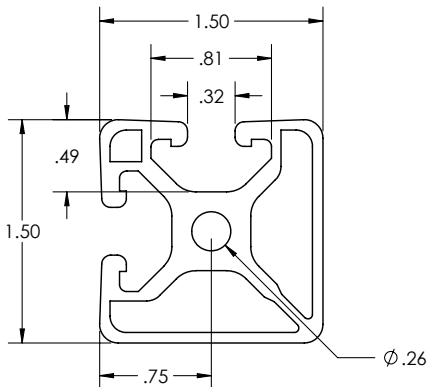
ITEM#	COLOR	STYLE
655025	Black	Standard
655843		Blank
655863		W-Hole
655850	Blue	Standard

* See page 372 & 373 for end caps

Fractional Extrusions

15 SERIES

TS15-15 L BIADJ - 1.50" x 1.50" Lite Bi Slot Adjacent

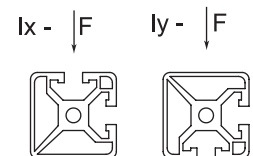


Product Information

ITEM#	SERIES	FINISH	MATERIAL	ALLOY	STOCK LENGTH	WEIGHT	ESTIMATED AREA	MOMENT OF INERTIA	DROP LOCK
650015	15	Clear Anodize	Aluminum	6560-T6	Per inch / Max 240"	1.036 lbs/ft	.863 in ²	I _x = .181 in ⁴ I _y = .181 in ⁴	2°
650115		Black Anodize							

Bulk Information

FINISH	1000 SERIES	BUNDLE PCS QTY	2000 SERIES	BUNDLE PCS QTY	LENGTH
Clear	100045	91	200045	33	240"
Black	102859	90	200115	33	



Machining Services

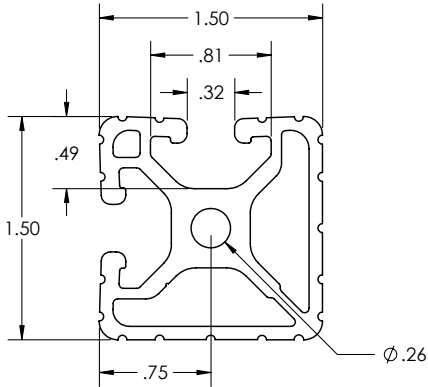
ITEM#	SERIES	SERVICE DESCRIPTION
660003	15	Cut to Length
660028		Single Access Hole
660020		Single Anchor Fastener
660034		Tap 5-16/18
660033		Tap M8
660009		Tap 3/8-16

End Cap

ITEM#	COLOR	STYLE
655025	Black	Standard
655843		Blank
655863		W-Hole
655850	Blue	Standard

* See page 372 & 373 for end caps

TS15-15 LGR BIADJ - 1.50" x 1.50" Lite Grooved Bi Slot Adjacent



Product Information

ITEM#	SERIES	FINISH	MATERIAL	ALLOY	STOCK LENGTH	WEIGHT	ESTIMATED AREA	MOMENT OF INERTIA	DROP LOCK
650097	15	Clear Anodize	Aluminum	6560-T6	Per inch / Max 240"	1.048 lbs/ft	.873 in ²	I _x = .184 in ⁴ I _y = .186 in ⁴	2°
650197		Black Anodize							

Bulk Information

FINISH	1000 SERIES	BUNDLE PCS QTY	2000 SERIES	BUNDLE PCS QTY	LENGTH
Clear	103022	90	200151	33	240"
Black	102860	90	200152	33	

Machining Services

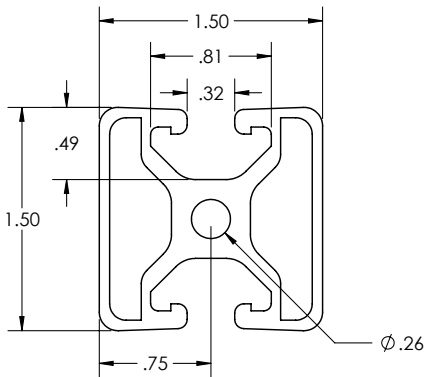
ITEM#	SERIES	SERVICE DESCRIPTION
660003	15	Cut to Length
660028		Single Access Hole
660020		Single Anchor Fastener
660034		Tap 5-16/18
660033		Tap M8
660009		Tap 3/8-16

End Cap

ITEM#	COLOR	STYLE
655025	Black	Standard
655843		Blank
655863		W-Hole
655850	Blue	Standard

* See page 372 & 373 for end caps

TS15-15 L BIOPP - 1.50" x 1.50" Lite Bi Slot Opposite

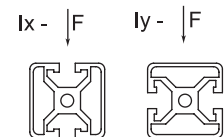


Product Information

ITEM#	SERIES	FINISH	MATERIAL	ALLOY	STOCK LENGTH	WEIGHT	ESTIMATED AREA	MOMENT OF INERTIA	DROP LOCK
650016	15	Clear Anodize	Aluminum	6560-T6	Per inch / Max 240"	1.008 lbs/ft	.840 in ²	I _x = .172 in ⁴ I _y = .176 in ⁴	2°
650116		Black Anodize							

Bulk Information

FINISH	1000 SERIES	BUNDLE PCS QTY	2000 SERIES	BUNDLE PCS QTY	LENGTH
Clear	101536	90	200153	33	240"
Black	102861	90	200154	33	



Machining Services

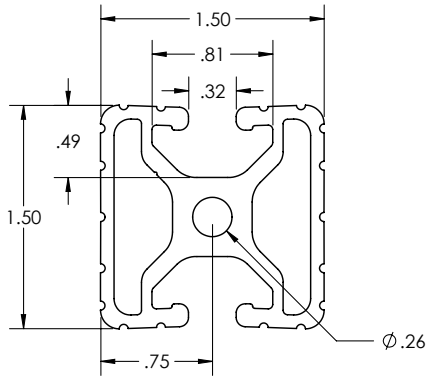
ITEM#	SERIES	SERVICE DESCRIPTION
660003	15	Cut to Length
660028		Single Access Hole
660020		Single Anchor Fastener
660034		Tap 5-16/18
660033		Tap M8
660009		Tap 3/8-16

End Cap

ITEM#	COLOR	STYLE
655025	Black	Standard
655843		Blank
655863		W-Hole
655850	Blue	Standard

* See page 372 & 373 for end caps

TS15-15 L BIOPP - 1.50" x 1.50" Lite Grooved Bi Slot Opposite

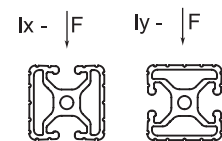


Product Information

ITEM#	SERIES	FINISH	MATERIAL	ALLOY	STOCK LENGTH	WEIGHT	ESTIMATED AREA	MOMENT OF INERTIA	DROP LOCK
650099	15	Clear Anodize	Aluminum	6560-T6	Per inch / Max 240"	1.050 lbs/ft	.878 in ²	I _x = .181 in ⁴ I _y = .183 in ⁴	2°
650199		Black Anodize							

Bulk Information

FINISH	1000 SERIES	BUNDLE PCS QTY	2000 SERIES	BUNDLE PCS QTY	LENGTH
Clear	103024	90	200246	33	240"
Black	1030269	90	200247	33	



Machining Services

ITEM#	SERIES	SERVICE DESCRIPTION
660003	15	Cut to Length
660028		Single Access Hole
660020		Single Anchor Fastener
660034		Tap 5-16/18
660033		Tap M8
660009		Tap 3/8-16

End Cap

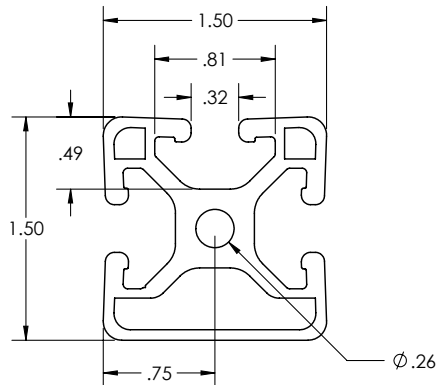
ITEM#	COLOR	STYLE
655025	Black	Standard
655843		Blank
655863		W-Hole
655850	Blue	Standard

* See page 372 & 373 for end caps

Fractional Extrusions

15 SERIES

TS15-15 L TRI - 1.50" x 1.50" Lite Tri Slot

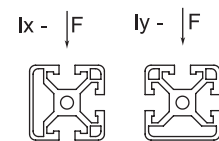


Product Information

ITEM#	SERIES	FINISH	MATERIAL	ALLOY	STOCK LENGTH	WEIGHT	ESTIMATED AREA	MOMENT OF INERTIA	DROP LOCK
650017	15	Clear Anodize	Aluminum	6560-T6	Per inch / Max 240"	1.050 lbs/ft	.878 in ²	I _x = .181 in ⁴ I _y = .183 in ⁴	2°
650117		Black Anodize							

Bulk Information

FINISH	1000 SERIES	BUNDLE PCS QTY	2000 SERIES	BUNDLE PCS QTY	LENGTH
Clear	100029	90	200155	33	240"
Black	103106	90	200117	33	



Machining Services

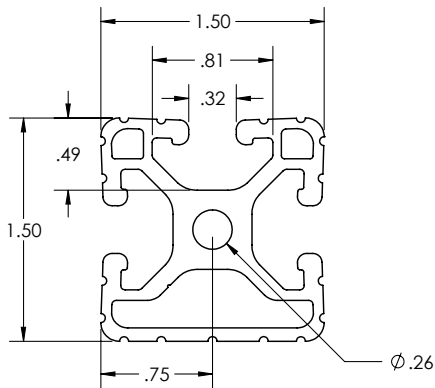
ITEM#	SERIES	SERVICE DESCRIPTION
660003	15	Cut to Length
660028		Single Access Hole
660020		Single Anchor Fastener
660034		Tap 5-16/18
660033		Tap M8
660009		Tap 3/8-16

End Cap

ITEM#	COLOR	STYLE
655025	Black	Standard
655843		Blank
655863		W-Hole
655850	Blue	Standard

* See page 372 & 373 for end caps

TS15-15 LGR TRI - 1.50" x 1.50" Lite Grooved Tri Slot

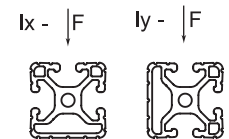


Product Information

ITEM#	SERIES	FINISH	MATERIAL	ALLOY	STOCK LENGTH	WEIGHT	ESTIMATED AREA	MOMENT OF INERTIA	DROP LOCK
650077	15	Clear Anodize	Aluminum	6560-T6	Per inch / Max 240"	1.061 lbs/ft	.884 in ²	I _x = .181 in ⁴ I _y = .186 in ⁴	2°
650177		Black Anodize							

Bulk Information

FINISH	1000 SERIES	BUNDLE PCS QTY	2000 SERIES	BUNDLE PCS QTY	LENGTH
Clear	103112	90	200156	33	240"
Black	103069	90	200157	33	



Machining Services

ITEM#	SERIES	SERVICE DESCRIPTION
660003	15	Cut to Length
660028		Single Access Hole
660020		Single Anchor Fastener
660034		Tap 5-16/18
660033		Tap M8
660009		Tap 3/8-16

End Cap

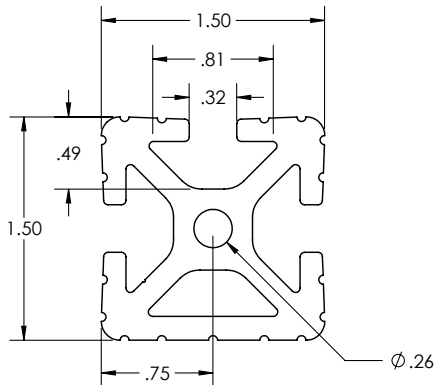
ITEM#	COLOR	STYLE
655025	Black	Standard
655843		Blank
655863		W-Hole
655850	Blue	Standard

* See page 372 & 373 for end caps

Fractional Extrusions

15 SERIES

TS15-15 GR TRI - 1.50" x 1.50" Grooved Tri Slot

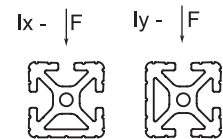


Product Information

ITEM#	SERIES	FINISH	MATERIAL	ALLOY	STOCK LENGTH	WEIGHT	ESTIMATED AREA	MOMENT OF INERTIA	DROP LOCK
650089	15	Clear Anodize	Aluminum	6560-T6	Per inch / Max 240"	1.433 lbs/ft	1.194 in ²	I _x = .250 in ⁴ I _y = .274 in ⁴	2°
650189		Black Anodize							

Bulk Information

FINISH	1000 SERIES	BUNDLE PCS QTY	2000 SERIES	BUNDLE PCS QTY	LENGTH
Clear	103112	90	200158	33	240"
Black	103070	90	200159	33	



Machining Services

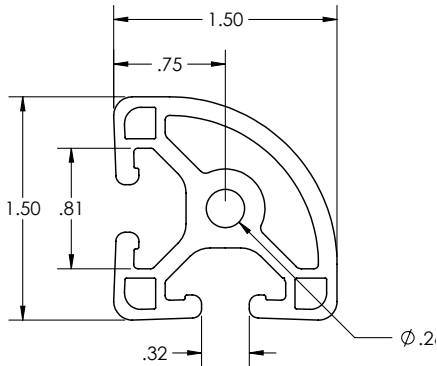
ITEM#	SERIES	SERVICE DESCRIPTION
660003	15	Cut to Length
660028		Single Access Hole
660020		Single Anchor Fastener
660034		Tap 5-16/18
660033		Tap M8
660009		Tap 3/8-16

End Cap

ITEM#	COLOR	STYLE
655025	Black	Standard
655843		Blank
655863		W-Hole
655850	Blue	Standard

* See page 372 & 373 for end caps

TS15-15 QR - 1.50" x 1.50" Quarter Round



Product Information

ITEM#	SERIES	FINISH	MATERIAL	ALLOY	STOCK LENGTH	WEIGHT	ESTIMATED AREA	MOMENT OF INERTIA	DROP LOCK
650041	15	Clear Anodize	Aluminum	6560-T6	Per inch / Max 240"	1.045 lbs/ft	.879 in ²	I _x = .172 in ⁴ I _y = .172 in ⁴	2°
650141		Black Anodize							

Bulk Information

FINISH	1000 SERIES	BUNDLE PCS QTY	2000 SERIES	BUNDLE PCS QTY	LENGTH
Clear	100066	90	200128	33	240"
Black	101066	90	200249	33	

Machining Services

ITEM#	SERIES	SERVICE DESCRIPTION
660003	15	Cut to Length
660028		Single Access Hole
660020		Single Anchor Fastener
660034		Tap 5-16/18
660033		Tap M8
660009		Tap 3/8-16

End Cap

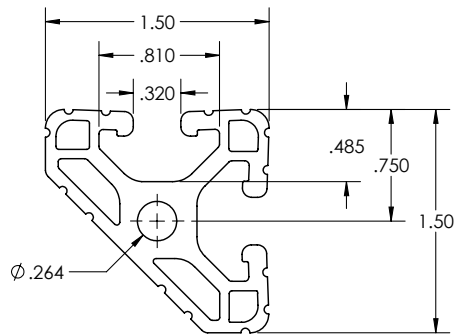
ITEM#	COLOR	STYLE
655025	Black	Standard
655843		Blank
655863		W-Hole
655850	Blue	Standard

* See page 372 & 373 for end caps

Fractional Extrusions

15 SERIES

TS15-15 LGR 45 - 1.50" x 1.50" Lite 45 Degree



Product Information

ITEM#	SERIES	FINISH	MATERIAL	ALLOY	STOCK LENGTH	WEIGHT	ESTIMATED AREA	MOMENT OF INERTIA	DROP LOCK
650076	15	Clear Anodize	Aluminum	6560-T6	Per inch / Max 240"	.912 lbs/ft	.760 in ²	I _x = .089 in ⁴ I _y = .176 in ⁴	2°
650176		Black Anodize							

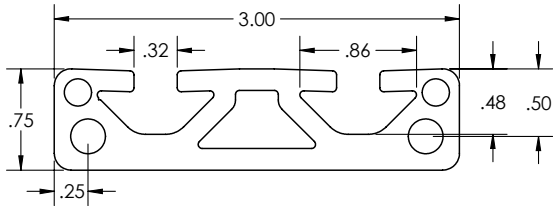
Bulk Information

FINISH	1000 SERIES	BUNDLE PCS QTY	2000 SERIES	BUNDLE PCS QTY	LENGTH
Clear	103028	90	200160	33	240"
Black	103032	90	200248	33	

Machining Services

ITEM#	SERIES	SERVICE DESCRIPTION
660003	15	Cut to Length
660028		Single Access Hole
660020		Single Anchor Fastener
660034		Tap 5-16/18
660033		Tap M8
660009		Tap 3/8-16

TS30-75 - 3.00" x .75"

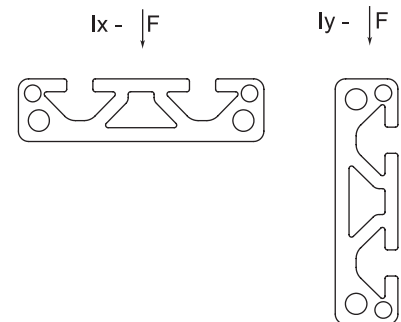


Product Information

ITEM#	SERIES	FINISH	MATERIAL	ALLOY	STOCK LENGTH	WEIGHT	ESTIMATED AREA	MOMENT OF INERTIA	DROP LOCK
650019	15	Clear Anodize	Aluminum	6560-T6	Per inch / Max 145"	1.547 lbs/ft	1.321 in ²	I _x = .076 in ⁴ I _y = 1.069 in ⁴	2°
650119		Black Anodize							

Bulk Information

FINISH	1000 SERIES	BUNDLE PCS QTY	2000 SERIES	BUNDLE PCS QTY	LENGTH
Clear	103072	80	200139	36	145"
Black	103105	80	200140	36	



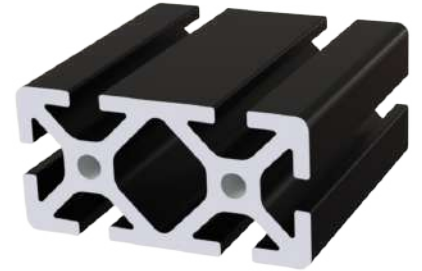
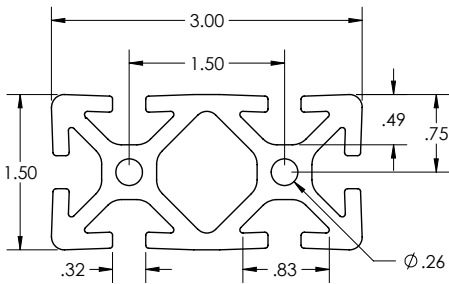
Machining Services

ITEM#	SERIES	SERVICE DESCRIPTION
660003	15	Cut to Length
660028		Single Access Hole
660020		Single Anchor Fastener
660024		Tap 5/16-18 (Larger Holes)
660027		Tap M8 (Larger Holes)
660182		Tap 3/8-16 (Larger Holes)
660025		Tap 1/4-20 (Smaller Holes)
660026		Tap M6 (Smaller Holes)

Fractional Extrusions

15 SERIES

TS15-30 - 1.50" x 3.00"

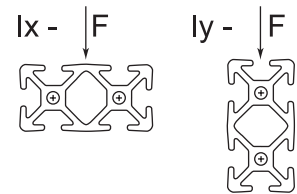


Product Information

ITEM#	SERIES	FINISH	MATERIAL	ALLOY	STOCK LENGTH	WEIGHT	ESTIMATED AREA	MOMENT OF INERTIA	DROP LOCK
650008	15	Clear Anodize	Aluminum	6560-T6	Per inch / Max 240"	2.507 lbs/ft	2.155 in ²	I _x = .502 in ⁴ I _y = 1.877 in ⁴	2°
650108		Black Anodize							

Bulk Information

FINISH	1000 SERIES	BUNDLE PCS QTY	2000 SERIES	BUNDLE PCS QTY	LENGTH
Clear	100014	36	200014	22	240"
Black	100745	36	200250	22	



Machining Services

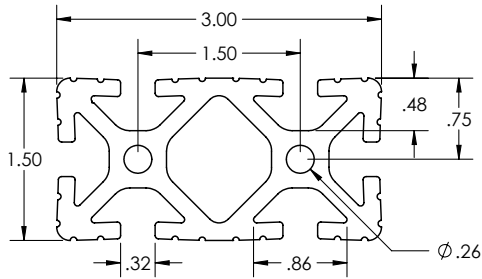
ITEM#	SERIES	SERVICE DESCRIPTION
660006	15	Cut to Length
660028		Single Access Hole
660020		Single Anchor Fastener
660024		Tap 5-16/18
660027		Tap M8

End Cap

ITEM#	COLOR	STYLE
655035	Black	Standard
655844		Blank
655865		W-Hole

* See page 372 & 373 for end caps

TS15-30 GR - 1.50" x 3.00" Grooved

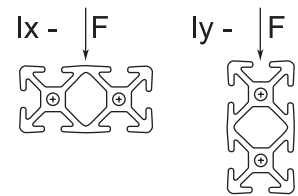


Product Information

ITEM#	SERIES	FINISH	MATERIAL	ALLOY	STOCK LENGTH	WEIGHT	ESTIMATED AREA	MOMENT OF INERTIA	DROP LOCK
650082	15	Clear Anodize	Aluminum	6560-T6	Per inch / Max 240"	2.466 lbs/ft	2.155 in ²	I _x = .502 in ⁴ I _y = 1.877 in ⁴	2°
650182		Black Anodize							

Bulk Information

FINISH	1000 SERIES	BUNDLE PCS QTY	2000 SERIES	BUNDLE PCS QTY	LENGTH
Clear	100068	42	200251	22	240"
Black	103049	42	200252	22	



Machining Services

ITEM#	SERIES	SERVICE DESCRIPTION
660006	15	Cut to Length
660028		Single Access Hole
660020		Single Anchor Fastener
660024		Tap 5-16/18
660027		Tap M8

End Cap

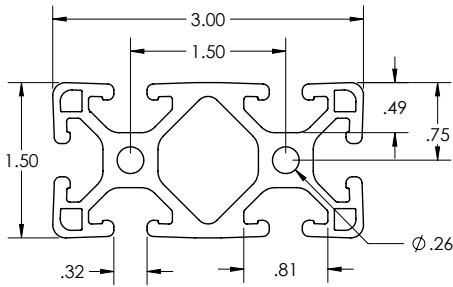
ITEM#	COLOR	STYLE
655035	Black	Standard
655844		Blank
655865		W-Hole

* See page 372 & 373 for end caps

Fractional Extrusions

15 SERIES

TS15-30 L - 1.50" x 3.00" Lite

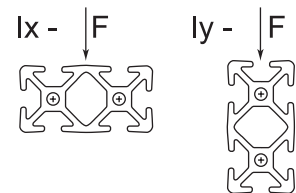


Product Information

ITEM#	SERIES	FINISH	MATERIAL	ALLOY	STOCK LENGTH	WEIGHT	ESTIMATED AREA	MOMENT OF INERTIA	DROP LOCK
650009	15	Clear Anodize	Aluminum	6560-T6	Per inch / Max 240"	2.092 lbs/ft	1.766 in ²	I _x = .408 in ⁴ I _y = 1.431 in ⁴	2°
650109		Black Anodize							

Bulk Information

FINISH	1000 SERIES	BUNDLE PCS QTY	2000 SERIES	BUNDLE PCS QTY	LENGTH
Clear	100015	48	200015	22	240"
Black	100076	48	200076	22	



Machining Services

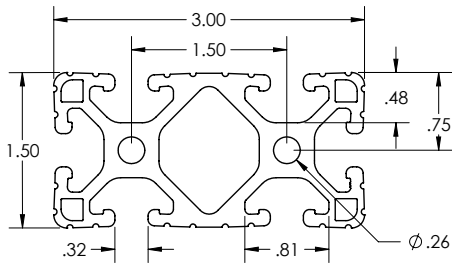
ITEM#	SERIES	SERVICE DESCRIPTION
660006	15	Cut to Length
660028		Single Access Hole
660020		Single Anchor Fastener
660024		Tap 5-16/18
660027		Tap M8

End Cap

ITEM#	COLOR	STYLE
655035	Black	Standard
655844		Blank
655865		W-Hole

* See page 372 & 373 for end caps

TS15-30 LGR - 1.50" x 3.00" Lite Grooved

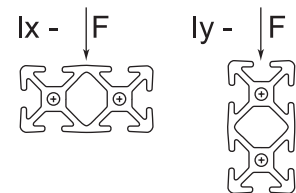


Product Information

ITEM#	SERIES	FINISH	MATERIAL	ALLOY	STOCK LENGTH	WEIGHT	ESTIMATED AREA	MOMENT OF INERTIA	DROP LOCK
650047	15	Clear Anodize	Aluminum	6560-T6	Per inch / Max 240"	2.042 lbs/ft	1.766 in ²	I _x = .408 in ⁴ I _y = 1.431 in ⁴	2°
650147		Black Anodize							

Bulk Information

FINISH	1000 SERIES	BUNDLE PCS QTY	2000 SERIES	BUNDLE PCS QTY	LENGTH
Clear	100071	48	200071	22	240"
Black	100084	48	200041	22	



Machining Services

ITEM#	SERIES	SERVICE DESCRIPTION
660006	15	Cut to Length
660028		Single Access Hole
660020		Single Anchor Fastener
660024		Tap 5-16/18
660027		Tap M8

End Cap

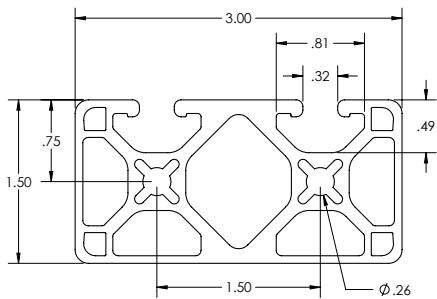
ITEM#	COLOR	STYLE
655035	Black	Standard
655844		Blank
655865		W-Hole

* See page 372 & 373 for end caps

Fractional Extrusions

15 SERIES

TS15-30 L MONO 2 SLOT - 1.50" x 3.00" Lite Mono Side 2 Slot



Product Information

ITEM#	SERIES	FINISH	MATERIAL	ALLOY	STOCK LENGTH	WEIGHT	ESTIMATED AREA	MOMENT OF INERTIA	DROP LOCK
640000	15	Clear Anodize	Aluminum	6560-T6	Per inch / Max 240"	2.042 lbs/ft	1.766 in ²	I _x = .408 in ⁴ I _y = 1.431 in ⁴	2°
640100		Black Anodize							

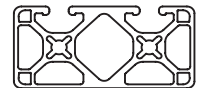
Bulk Information

FINISH	1000 SERIES	BUNDLE PCS QTY	2000 SERIES	BUNDLE PCS QTY	LENGTH
Clear	102957	50	200192	22	240"
Black	102959	50	200261	22	

I_x - ↓ F



I_y - ↓ F



Machining Services

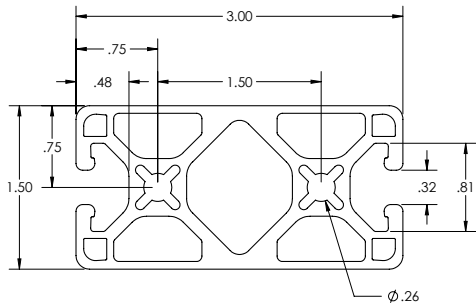
ITEM#	SERIES	SERVICE DESCRIPTION
660006	15	Cut to Length
660028		Single Access Hole
660020		Single Anchor Fastener
660024		Tap 5-16/18
660027		Tap M8

End Cap

ITEM#	COLOR	STYLE
655035	Black	Standard
655844		Blank
655865		W-Hole

* See page 372 & 373 for end caps

TS15-30 L BIOPP 2 SLOT - 1.50" x 3.00" Lite Bi Slot Opposite 2 Slot

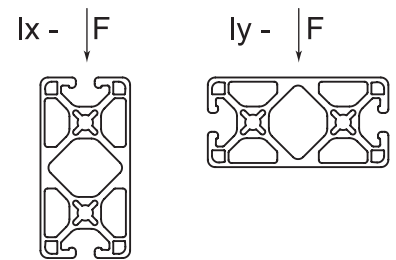


Product Information

ITEM#	SERIES	FINISH	MATERIAL	ALLOY	STOCK LENGTH	WEIGHT	ESTIMATED AREA	MOMENT OF INERTIA	DROP LOCK
640001	15	Clear Anodize	Aluminum	6560-T6	Per inch / Max 240"	1.567 lbs/ft	1.339 in ²	I _x = .315 in ⁴ I _y = 1.263 in ⁴	2°
640101		Black Anodize							

Bulk Information

FINISH	1000 SERIES	BUNDLE PCS QTY	2000 SERIES	BUNDLE PCS QTY	LENGTH
Clear	103094	50	200193	22	240"
Black	103095	50	200262	22	



Machining Services

ITEM#	SERIES	SERVICE DESCRIPTION
660006	15	Cut to Length
660028		Single Access Hole
660020		Single Anchor Fastener
660024		Tap 5-16/18
660027		Tap M8

End Cap

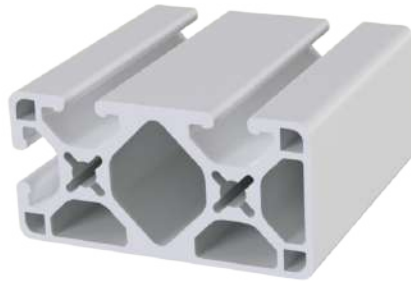
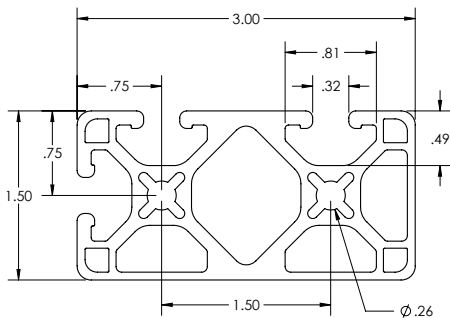
ITEM#	COLOR	STYLE
655035	Black	Standard
655844		Blank
655865		W-Hole

* See page 372 & 373 for end caps

Fractional Extrusions

15 SERIES

TS15-30 L BIADJ 3 SLOT - 1.50" x 3.00" Lite Bi Slot Adjacent 3 Slot



Product Information

ITEM#	SERIES	FINISH	MATERIAL	ALLOY	STOCK LENGTH	WEIGHT	ESTIMATED AREA	MOMENT OF INERTIA	DROP LOCK
640002	15	Clear Anodize	Aluminum	6560-T6	Per inch / Max 240"	2.042 lbs/ft	1.766 in ²	I _x = .408 in ⁴ I _y = 1.431 in ⁴	2°
640102		Black Anodize							

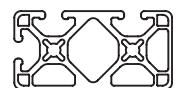
Bulk Information

FINISH	1000 SERIES	BUNDLE PCS QTY	2000 SERIES	BUNDLE PCS QTY	LENGTH
Clear	103096	50	200194	22	240"
Black	103097	50	200263	22	

I_x - ↓ F



I_y - ↓ F



Machining Services

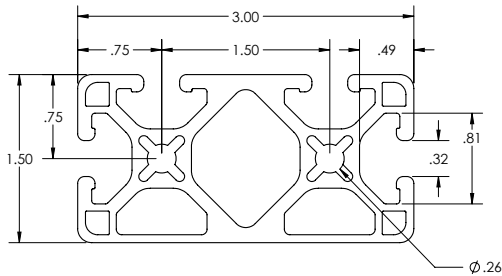
ITEM#	SERIES	SERVICE DESCRIPTION
660006	15	Cut to Length
660028		Single Access Hole
660020		Single Anchor Fastener
660024		Tap 5-16/18
660027		Tap M8

End Cap

ITEM#	COLOR	STYLE
655035	Black	Standard
655844		Blank
655865		W-Hole

* See page 372 & 373 for end caps

TS15-30 L TRI 4 SLOT - 1.50" x 3.00" Lite Tri Side 4 Slot

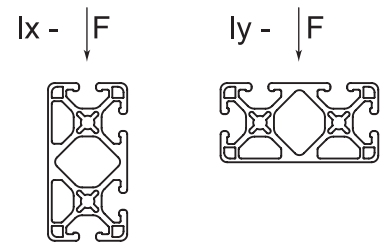


Product Information

ITEM#	SERIES	FINISH	MATERIAL	ALLOY	STOCK LENGTH	WEIGHT	ESTIMATED AREA	MOMENT OF INERTIA	DROP LOCK
640003	15	Clear Anodize	Aluminum	6560-T6	Per inch / Max 240"	1.567 lbs/ft	1.339 in ²	I _x = .315 in ⁴ I _y = 1.263 in ⁴	2°
640103		Black Anodize							

Bulk Information

FINISH	1000 SERIES	BUNDLE PCS QTY	2000 SERIES	BUNDLE PCS QTY	LENGTH
Clear	103098	50	200195	22	240"
Black	103099	50	200264	22	



Machining Services

ITEM#	SERIES	SERVICE DESCRIPTION
660006	15	Cut to Length
660028		Single Access Hole
660020		Single Anchor Fastener
660024		Tap 5-16/18
660027		Tap M8

End Cap

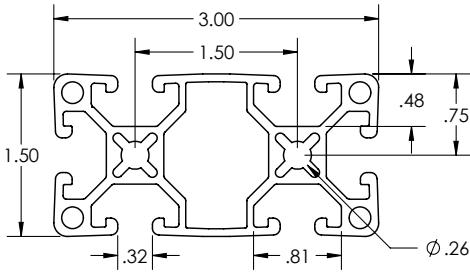
ITEM#	COLOR	STYLE
655035	Black	Standard
655844		Blank
655865		W-Hole

* See page 372 & 373 for end caps

Fractional Extrusions

15 SERIES

TS15-30 VL - 1.50" x 3.00" Very Lite

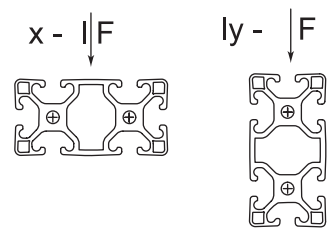


Product Information

ITEM#	SERIES	FINISH	MATERIAL	ALLOY	STOCK LENGTH	WEIGHT	ESTIMATED AREA	MOMENT OF INERTIA	DROP LOCK
650020	15	Clear Anodize	Aluminum	6560-T6	Per inch / Max 240"	1.567 lbs/ft	1.339 in ²	I _x = .315 in ⁴ I _y = 1.263 in ⁴	2°
650120		Black Anodize							

Bulk Information

FINISH	1000 SERIES	BUNDLE PCS QTY	2000 SERIES	BUNDLE PCS QTY	LENGTH
Clear	100043	60	200104	22	240"
Black	103107	60	200260	22	



Machining Services

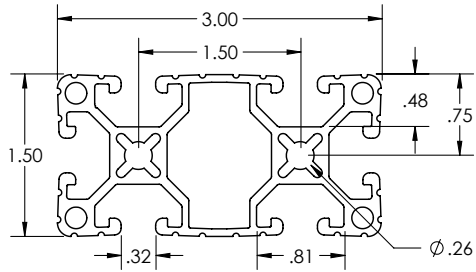
ITEM#	SERIES	SERVICE DESCRIPTION
660006	15	Cut to Length
660028		Single Access Hole
660020		Single Anchor Fastener
660024		Tap 5-16/18
660027		Tap M8

End Cap

ITEM#	COLOR	STYLE
655035	Black	Standard
655844		Blank
655865		W-Hole

* See page 372 & 373 for end caps

TS15-30 VLGR - 1.50" x 3.00" Very Lite Grooved

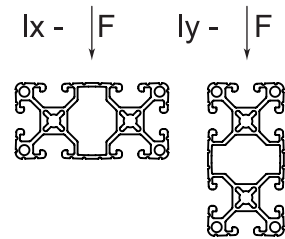


Product Information

ITEM#	SERIES	FINISH	MATERIAL	ALLOY	STOCK LENGTH	WEIGHT	ESTIMATED AREA	MOMENT OF INERTIA	DROP LOCK
640006	15	Clear Anodize	Aluminum	6560-T6	Per inch / Max 240"	1.566 lbs/ft	1.305 in ²	$I_x = .300 \text{ in}^4$ $I_y = 1.220 \text{ in}^4$	2°

Bulk Information

FINISH	1000 SERIES	BUNDLE PCS QTY	2000 SERIES	BUNDLE PCS QTY	LENGTH
Clear	103245	60	200347	22	240"



Machining Services

ITEM#	SERIES	SERVICE DESCRIPTION
660006	15	Cut to Length
660028		Single Access Hole
660020		Single Anchor Fastener
660024		Tap 5-16/18
660027		Tap M8

End Cap

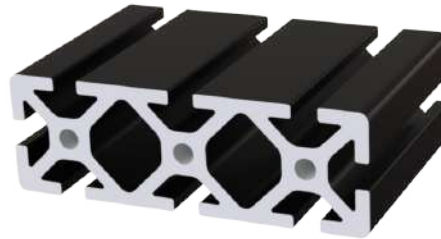
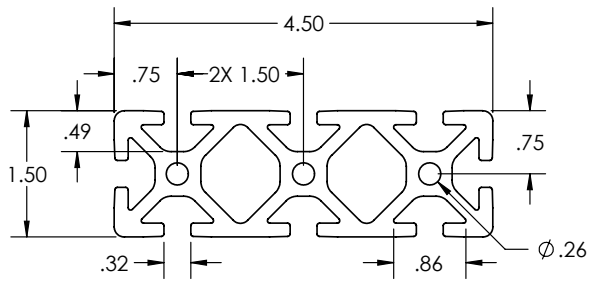
ITEM#	COLOR	STYLE
655035	Black	Standard
655844		Blank
655865		W-Hole

* See page 372 & 373 for end caps

Fractional Extrusions

15 SERIES

TS15-45 - 1.50" x 4.50"

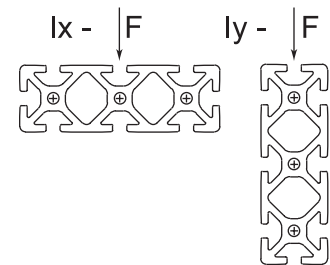


Product Information

ITEM#	SERIES	FINISH	MATERIAL	ALLOY	STOCK LENGTH	WEIGHT	ESTIMATED AREA	MOMENT OF INERTIA	DROP LOCK
650010	15	Clear Anodize	Aluminum	6560-T6	Per inch / Max 240"	3.684 lbs/ft	3.113 in ²	I _x = .739 in ⁴ I _y = 5.913 in ⁴	2°
650110		Black Anodize							

Bulk Information

FINISH	1000 SERIES	BUNDLE PCS QTY	2000 SERIES	BUNDLE PCS QTY	LENGTH
Clear	100027	28	200027	12	240"
Black	100106	28	200161	12	



Machining Services

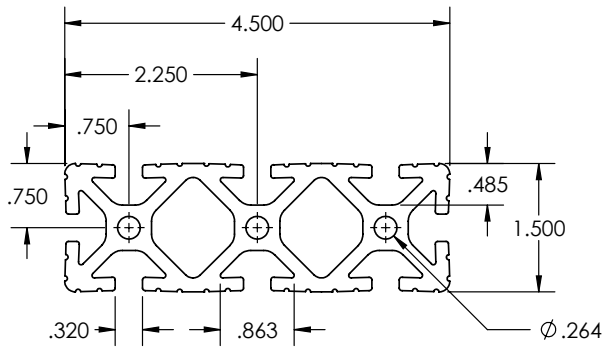
ITEM#	SERIES	SERVICE DESCRIPTION
660007	15	Cut to Length
660028		Single Access Hole
660020		Single Anchor Fastener
660010		Tap 5-16/18
660011		Tap M8

End Cap

ITEM#	COLOR	STYLE
655040	Black	Standard
655871		Blank
655866		W-Hole

* See page 372 & 373 for end caps

TS15-45 GR - 1.50" x 4.50" Grooved

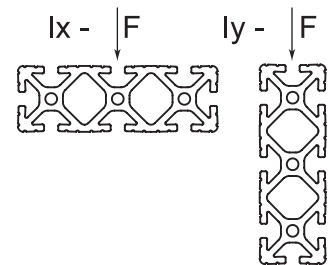


Product Information

ITEM#	SERIES	FINISH	MATERIAL	ALLOY	STOCK LENGTH	WEIGHT	ESTIMATED AREA	MOMENT OF INERTIA	DROP LOCK
650091	15	Clear Anodize	Aluminum	6560-T6	Per inch / Max 240"	3.559 lbs/ft	2.966 in ²	I _x = .698 in ⁴ I _y = 5.601 in ⁴	2°
650191		Black Anodize							

Bulk Information

FINISH	1000 SERIES	BUNDLE PCS QTY	2000 SERIES	BUNDLE PCS QTY	LENGTH
Clear	102952	28	200162	12	240"
Black	102954	28	200305	12	



Machining Services

ITEM#	SERIES	SERVICE DESCRIPTION
660007	15	Cut to Length
660028		Single Access Hole
660020		Single Anchor Fastener
660010		Tap 5-16/18
660011		Tap M8

End Cap

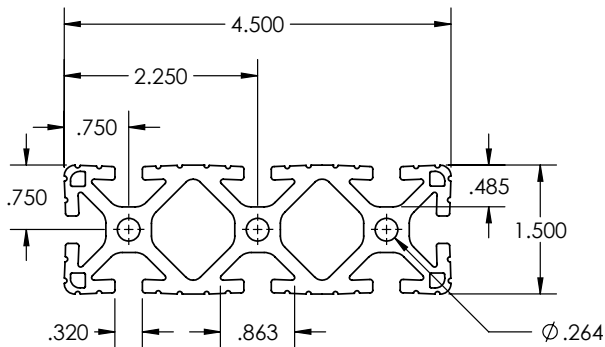
ITEM#	COLOR	STYLE
655040	Black	Standard
655871		Blank
655866		W-Hole

* See page 372 & 373 for end caps

Fractional Extrusions

15 SERIES

TS15-45 LGR - 1.50" x 4.50" Lite Grooved

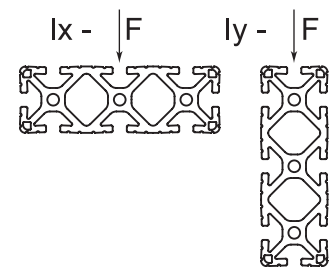


Product Information

ITEM#	SERIES	FINISH	MATERIAL	ALLOY	STOCK LENGTH	WEIGHT	ESTIMATED AREA	MOMENT OF INERTIA	DROP LOCK
650092	15	Clear Anodize	Aluminum	6560-T6	Per inch / Max 240"	3.429 lbs/ft	2.857 in ²	I _x = .660 in ⁴ I _y = 5.128 in ⁴	2°
650192		Black Anodize							

Bulk Information

FINISH	1000 SERIES	BUNDLE PCS QTY	2000 SERIES	BUNDLE PCS QTY	LENGTH
Clear	103071	24	200163	12	240"
Black	103109	24	200164	12	



Machining Services

ITEM#	SERIES	SERVICE DESCRIPTION
660007	15	Cut to Length
660028		Single Access Hole
660020		Single Anchor Fastener
660010		Tap 5-16/18
660011		Tap M8

End Cap

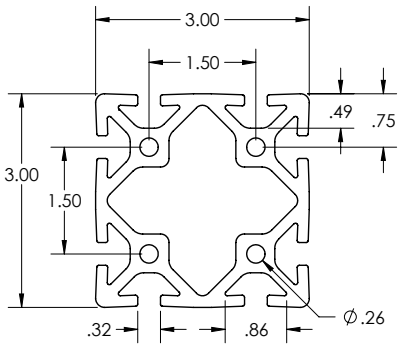
ITEM#	COLOR	STYLE
655040	Black	Standard
655871		Blank
655866		W-Hole

* See page 372 & 373 for end caps

Fractional Extrusions

15 SERIES

TS30-30 - 3.00" x 3.00"



Product Information

ITEM#	SERIES	FINISH	MATERIAL	ALLOY	STOCK LENGTH	WEIGHT	ESTIMATED AREA	MOMENT OF INERTIA	DROP LOCK
650012	15	Clear Anodize	Aluminum	6560-T6	Per inch / Max 240"	3.944 lbs/ft	3.356 in ²	I _x = 3.379 in ⁴ I _y = 3.379 in ⁴	2°
650112		Black Anodize							

Bulk Information

FINISH	1000 SERIES	BUNDLE PCS QTY	2000 SERIES	BUNDLE PCS QTY	LENGTH
Clear	100016	24	200016	15	240"
Black	100099	24	200265	15	

Machining Services

ITEM#	SERIES	SERVICE DESCRIPTION
660013	15	Cut to Length
660028		Single Access Hole
660020		Single Anchor Fastener
660031		Tap 5-16/18
660032		Tap M8

End Cap

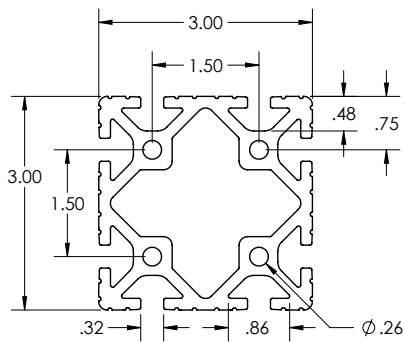
ITEM#	COLOR	STYLE
655045	Black	Standard
655852		Blank
655867		W-Hole

* See page 372 & 373 for end caps

Fractional Extrusions

15 SERIES

TS30-30 GR - 3.00" x 3.00" Grooved



Product Information

ITEM#	SERIES	FINISH	MATERIAL	ALLOY	STOCK LENGTH	WEIGHT	ESTIMATED AREA	MOMENT OF INERTIA	DROP LOCK
650083	15	Clear Anodize	Aluminum	6560-T6	Per inch / Max 240"	3.918 lbs/ft	3.356 in ²	I _x = 3.379 in ⁴ I _y = 3.379 in ⁴	2°
650183		Black Anodize							

Bulk Information

FINISH	1000 SERIES	BUNDLE PCS QTY	2000 SERIES	BUNDLE PCS QTY	LENGTH
Clear	100069	24	200069	15	240"
Black	103034	24	200302	15	

Machining Services

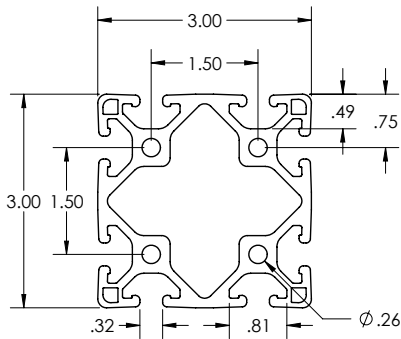
ITEM#	SERIES	SERVICE DESCRIPTION
660013	15	Cut to Length
660028		Single Access Hole
660020		Single Anchor Fastener
660031		Tap 5-16/18
660032		Tap M8

End Cap

ITEM#	COLOR	STYLE
655045	Black	Standard
655852		Blank
655867		W-Hole

* See page 372 & 373 for end caps

TS30-30 L - 3.00" x 3.00" Lite



Product Information

ITEM#	SERIES	FINISH	MATERIAL	ALLOY	STOCK LENGTH	WEIGHT	ESTIMATED AREA	MOMENT OF INERTIA	DROP LOCK
650013	15	Clear Anodize	Aluminum	6560-T6	Per inch / Max 240"	3.296 lbs/ft	2.728 in ²	I _x = 2.639 in ⁴ I _y = 2.639 in ⁴	2°
650113		Black Anodize							

Bulk Information

FINISH	1000 SERIES	BUNDLE PCS QTY	2000 SERIES	BUNDLE PCS QTY	LENGTH
Clear	100064	30	200064	15	240"
Black	100074	30	200074	15	

Machining Services

ITEM#	SERIES	SERVICE DESCRIPTION
660013	15	Cut to Length
660028		Single Access Hole
660020		Single Anchor Fastener
660031		Tap 5-16/18
660032		Tap M8

End Cap

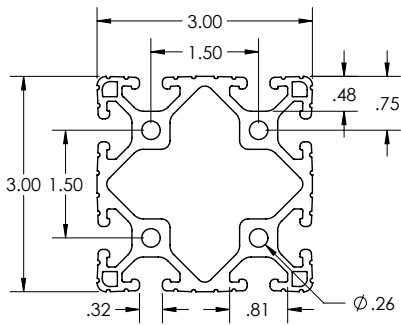
ITEM#	COLOR	STYLE
655045	Black	Standard
655852		Blank
655867		W-Hole

* See page 372 & 373 for end caps

Fractional Extrusions

15 SERIES

TS30-30 LGR - 3.00" x 3.00" Lite Grooved



Product Information

ITEM#	SERIES	FINISH	MATERIAL	ALLOY	STOCK LENGTH	WEIGHT	ESTIMATED AREA	MOMENT OF INERTIA	DROP LOCK
650084	15	Clear Anodize	Aluminum	6560-T6	Per inch / Max 240"	3.296 lbs/ft	2.728 in ²	I _x = 2.639 in ⁴ I _y = 2.639 in ⁴	2°
650184		Black Anodize							

Bulk Information

FINISH	1000 SERIES	BUNDLE PCS QTY	2000 SERIES	BUNDLE PCS QTY	LENGTH
Clear	100072	30	200072	15	240"
Black	103108	30	200304	15	

Machining Services

ITEM#	SERIES	SERVICE DESCRIPTION
660013	15	Cut to Length
660028		Single Access Hole
660020		Single Anchor Fastener
660031		Tap 5-16/18
660032		Tap M8

End Cap

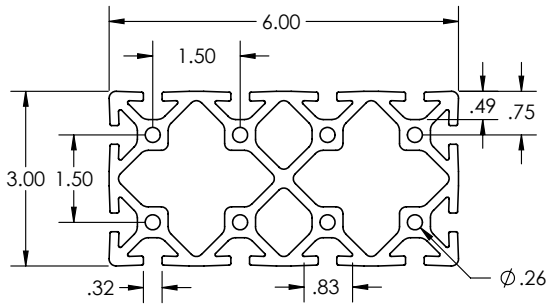
ITEM#	COLOR	STYLE
655045	Black	Standard
655852		Blank
655867		W-Hole

* See page 372 & 373 for end caps

Fractional Extrusions

15 SERIES

TS30-60 - 3.00" x 6.00"

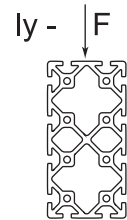
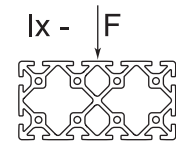


Product Information

ITEM#	SERIES	FINISH	MATERIAL	ALLOY	STOCK LENGTH	WEIGHT	ESTIMATED AREA	MOMENT OF INERTIA	DROP LOCK
650042	15	Clear Anodize	Aluminum	6560-T6	Per inch / Max 145"	7.198 lbs/ft	6.219 in ²	I _x = 6.430 in ⁴ I _y = 21.856 in ⁴	2°
650142		Black Anodize							

Bulk Information

FINISH	1000 SERIES	BUNDLE PCS QTY	2000 SERIES	BUNDLE PCS QTY	LENGTH
Clear	100030	18	200030	5	145"
Black	103039	18	200306	5	



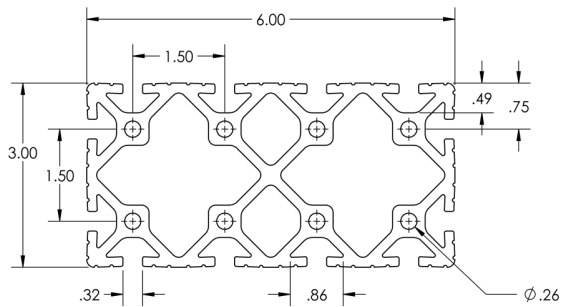
Machining Services

ITEM#	SERIES	SERVICE DESCRIPTION
660008	15	Cut to Length
660028		Single Access Hole
660020		Single Anchor Fastener
660012		Tap 5-16/18
660014		Tap M8

Fractional Extrusions

15 SERIES

TS30-60 GR - 3.00" x 6.00" Grooved

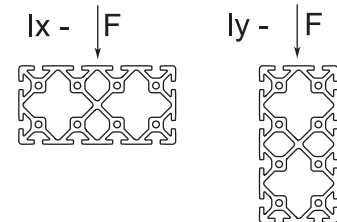


Product Information

ITEM#	SERIES	FINISH	MATERIAL	ALLOY	STOCK LENGTH	WEIGHT	ESTIMATED AREA	MOMENT OF INERTIA	DROP LOCK
650031	15	Clear Anodize	Aluminum	6560-T6	Per inch / Max 145"	7.082 lbs/ft	5.902 in ²	I _x = 6.107 in ⁴ I _y = 20.690 in ⁴	2°
650131		Black Anodize							

Bulk Information

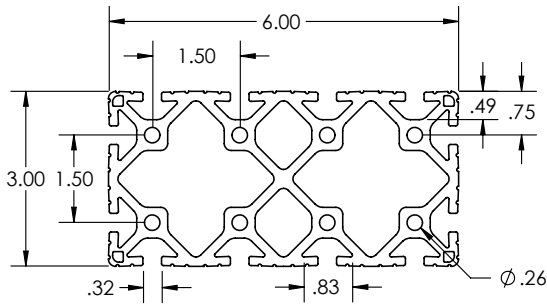
FINISH	1000 SERIES	BUNDLE PCS QTY	2000 SERIES	BUNDLE PCS QTY	LENGTH
Clear	103047	18	200309	5	145"
Black	103048	18	200311	5	



Machining Services

ITEM#	SERIES	SERVICE DESCRIPTION
660008	15	Cut to Length
660028		Single Access Hole
660020		Single Anchor Fastener
660012		Tap 5-16/18
660014		Tap M8

TS30-60 LGR - 3.00" x 6.00" Lite Grooved

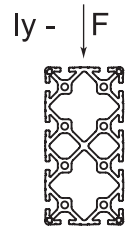
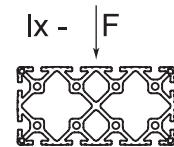


Product Information

ITEM#	SERIES	FINISH	MATERIAL	ALLOY	STOCK LENGTH	WEIGHT	ESTIMATED AREA	MOMENT OF INERTIA	DROP LOCK
650093	15	Clear Anodize	Aluminum	6560-T6	Per inch / Max 145"	6.936 lbs/ft	5.780 in ²	I _x = 5.890 in ⁴ I _y = 19.713 in ⁴	2°
650193		Black Anodize							

Bulk Information

FINISH	1000 SERIES	BUNDLE PCS QTY	2000 SERIES	BUNDLE PCS QTY	LENGTH
Clear	103045	18	200307	5	145"
Black	103046	18	200308	5	



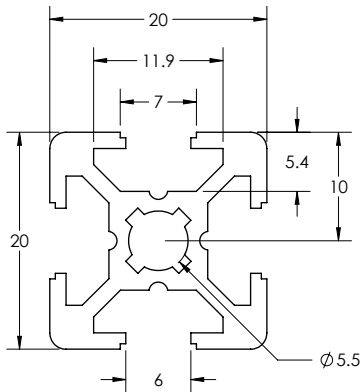
Machining Services

ITEM#	SERIES	SERVICE DESCRIPTION
660008	15	Cut to Length
660028		Single Access Hole
660020		Single Anchor Fastener
660012		Tap 5-16/18
660014		Tap M8

B-Series Extrusions

20 SERIES

TS20-20 B - 20mm x 20mm



Product Information

ITEM#	SERIES	FINISH	MATERIAL	ALLOY	STOCK LENGTH	WEIGHT	ESTIMATED AREA	MOMENT OF INERTIA	DROP LOCK
670000	20	Clear Anodize	Aluminum	6560-T6	Per inch / Max 118.11" (3 Meters)	.305 lbs/ft	.254 in ²	I _x = .016 in ⁴ I _y = .016 in ⁴	No
670100		Black Anodize							

Bulk Information

FINISH	1000 SERIES	BUNDLE PCS QTY	2000 SERIES	BUNDLE PCS QTY	LENGTH
Clear	100006	350	200006	20	118.11" (3 Meters)
Black	102958	350	200266	20	

Machining Services

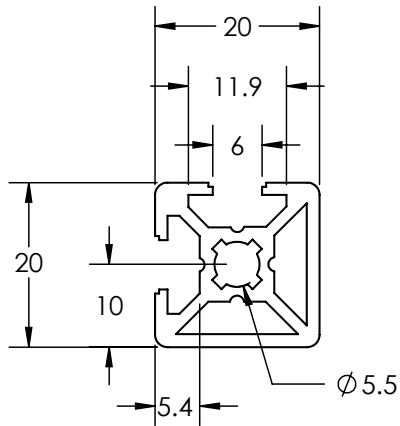
ITEM#	SERIES	SERVICE DESCRIPTION
670500	20	Cut to Length
670517		Single Access Hole
670509		Tap M6

End Cap

ITEM#	COLOR	STYLE
655703	Black	Blank

* See page 372 & 373 for end caps

TS20-20 B BIADJ - 20mm x 20mm Bi Slot Adjacent



Product Information

ITEM#	SERIES	FINISH	MATERIAL	ALLOY	STOCK LENGTH	WEIGHT	ESTIMATED AREA	MOMENT OF INERTIA	DROP LOCK
670003	20	Clear Anodize	Aluminum	6560-T6	Per inch / Max 118.11" (3 Meters)	.334 lbs/ft	.278 in ²	$I_x = .018 \text{ in}^4$ $I_y = .018 \text{ in}^4$	No

Bulk Information

FINISH	1000 SERIES	BUNDLE PCS QTY	2000 SERIES	BUNDLE PCS QTY	LENGTH
Clear	103244	350	200343	20	118.11" (3 Meters)

Machining Services

ITEM#	SERIES	SERVICE DESCRIPTION
670501	20	Cut to Length
670517		Single Access Hole
670510		Tap M6

End Cap

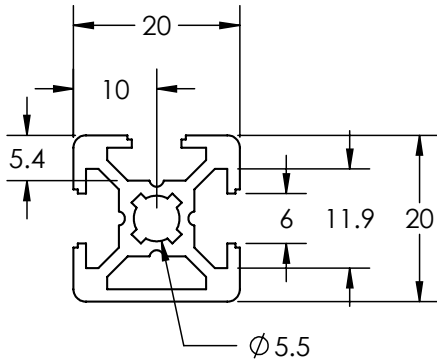
ITEM#	COLOR	STYLE
655703	Black	Blank

* See page 372 & 373 for end caps

B-Series Extrusions

20 SERIES

TS20-20 B QR - 20mm x 20mm Quarter Round

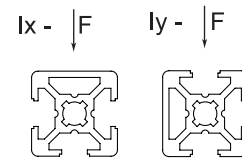


Product Information

ITEM#	SERIES	FINISH	MATERIAL	ALLOY	STOCK LENGTH	WEIGHT	ESTIMATED AREA	MOMENT OF INERTIA	DROP LOCK
670012	20	Clear Anodize	Aluminum	6560-T6	Per inch / Max 118.11" (3 Meters)	.322 lbs/ft	.269 in ²	I _x = .018 in ⁴ I _y = .016 in ⁴	No

Bulk Information

FINISH	1000 SERIES	BUNDLE PCS QTY	2000 SERIES	BUNDLE PCS QTY	LENGTH
Clear	103247	350	200352	20	118.11" (3 Meters)



Machining Services

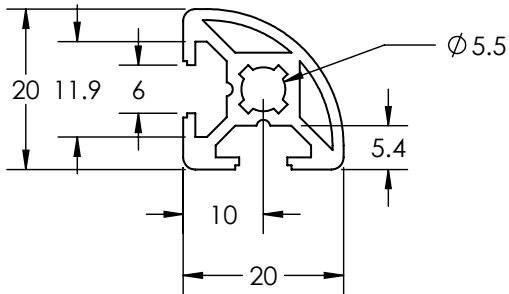
ITEM#	SERIES	SERVICE DESCRIPTION
670500	20	Cut to Length
670517		Single Access Hole
670509		Tap M6

End Cap

ITEM#	COLOR	STYLE
655703	Black	Blank

* See page 372 & 373 for end caps

TS20-20 B QR - 20mm x 20mm Quarter Round



Product Information

ITEM#	SERIES	FINISH	MATERIAL	ALLOY	STOCK LENGTH	WEIGHT	ESTIMATED AREA	MOMENT OF INERTIA	DROP LOCK
670005	20	Clear Anodize	Aluminum	6560-T6	Per inch / Max 118.11" (3 Meters)	.294 lbs/ft	.245 in ²	$I_x = .014 \text{ in}^4$ $I_y = .014 \text{ in}^4$	No

Bulk Information

FINISH	1000 SERIES	BUNDLE PCS QTY	2000 SERIES	BUNDLE PCS QTY	LENGTH
Clear	103243	350	200344	20	118.11" (3 Meters)

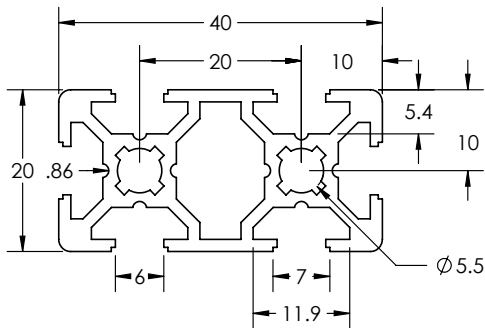
Machining Services

ITEM#	SERIES	SERVICE DESCRIPTION
670500	20	Cut to Length
670517		Single Access Hole
670509		Tap M6

B-Series Extrusions

20 SERIES

TS20-40 B - 20mm x 40mm

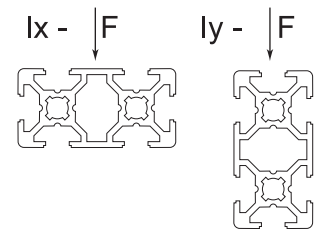


Product Information

ITEM#	SERIES	FINISH	MATERIAL	ALLOY	STOCK LENGTH	WEIGHT	ESTIMATED AREA	MOMENT OF INERTIA	DROP LOCK
670004	20	Clear Anodize	Aluminum	6560-T6	Per inch / Max 118.11" (3 Meters)	.533 lbs/ft	.444 in ²	I _x = .029 in ⁴ I _y = .111 in ⁴	No
670104		Black Anodize							

Bulk Information

FINISH	1000 SERIES	BUNDLE PCS QTY	2000 SERIES	BUNDLE PCS QTY	LENGTH
Clear	100058	200	200267	24	118.11" (3 Meters)
Black	102956	200	200315	24	



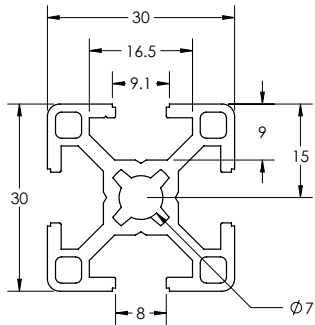
Machining Services

ITEM#	SERIES	SERVICE DESCRIPTION
670501	20	Cut to Length
670517		Single Access Hole
670510		Tap M6

B-Series Extrusions

30 SERIES

TS30-30 B - 30mm x 30mm



Product Information

ITEM#	SERIES	FINISH	MATERIAL	ALLOY	STOCK LENGTH	WEIGHT	ESTIMATED AREA	MOMENT OF INERTIA	DROP LOCK
670007	30	Clear Anodize	Aluminum	6560-T6	Per inch / Max 239" (6 Meters)	.588 lbs/ft	.489 in ²	I _x = .066 in ⁴ I _y = .066 in ⁴	2°
670107		Black Anodize							
670207		Yellow Powder Coat			Per Inch / 144" (3.6 Meters)				

Bulk Information

FINISH	1000 SERIES	BUNDLE PCS QTY	2000 SERIES	BUNDLE PCS QTY	LENGTH
Clear	100007	170	200007	20	239" (6 Meters)
Black	100081	170	200198	20	

Machining Services

ITEM#	SERIES	SERVICE DESCRIPTION
670502	30	Cut to Length
670518		7.9 mm Single Access Hole
670519		11 mm Single Access Hole
670511		Tap M8

End Cap

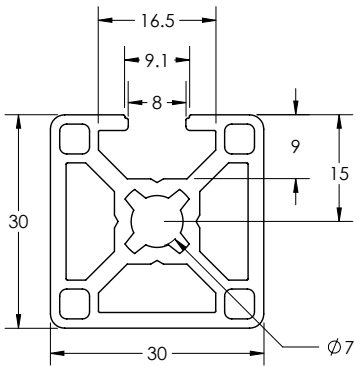
ITEM#	COLOR	STYLE
671000	Black	Blank

* See page 372 & 373 for end caps

B-Series Extrusions

30 SERIES

TS30-30 B MONO - 30mm x 30mm Mono Slot

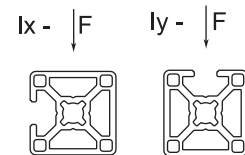


Product Information

ITEM#	SERIES	FINISH	MATERIAL	ALLOY	STOCK LENGTH	WEIGHT	ESTIMATED AREA	MOMENT OF INERTIA	DROP LOCK
670008	30	Clear Anodize	Aluminum	6560-T6	Per inch / Max 239" (6 Meters)	.684 lbs/ft	.571 in ²	I _x = .075 in ⁴ I _y = .084 in ⁴	No
670108		Black Anodize							

Bulk Information

FINISH	1000 SERIES	BUNDLE PCS QTY	2000 SERIES	BUNDLE PCS QTY	LENGTH
Clear	100082	150	200199	20	239" (6 Meters)
Black	103015	150	200214	20	



Machining Services

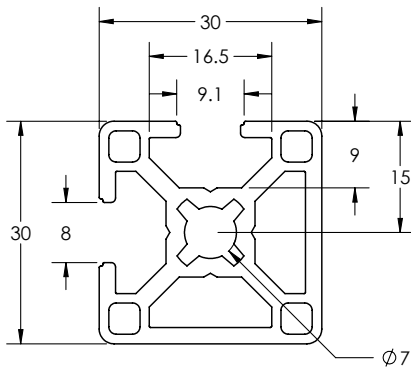
ITEM#	SERIES	SERVICE DESCRIPTION
670502	30	Cut to Length
670518		7.9 mm Single Access Hole
670519		11 mm Single Access Hole
670511		Tap M8

End Cap

ITEM#	COLOR	STYLE
671000	Black	Blank

* See page 372 & 373 for end caps

TS30-30 B BIADJ - 30mm x 30mm Bi Slot Adjacent



Product Information

ITEM#	SERIES	FINISH	MATERIAL	ALLOY	STOCK LENGTH	WEIGHT	ESTIMATED AREA	MOMENT OF INERTIA	DROP LOCK
670085	30	Clear Anodize	Aluminum	6560-T6	Per inch / Max 239" (6 Meters)	.655 lbs/ft	.546 in ²	I _x = .074 in ⁴ I _y = .075 in ⁴	No
670185		Black Anodize							

Bulk Information

FINISH	1000 SERIES	BUNDLE PCS QTY	2000 SERIES	BUNDLE PCS QTY	LENGTH
Clear	100057	170	200200	20	239" (6 Meters)
Black	103016	170	200269	20	

Machining Services

ITEM#	SERIES	SERVICE DESCRIPTION
670502	30	Cut to Length
670518		7.9 mm Single Access Hole
670519		11 mm Single Access Hole
670511		Tap M8

End Cap

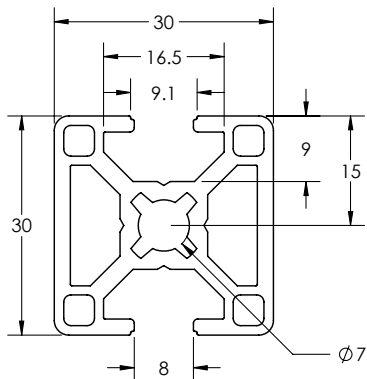
ITEM#	COLOR	STYLE
671000	Black	Blank

* See page 372 & 373 for end caps

B-Series Extrusions

30 SERIES

TS30-30 B BIOPP - 30mm x 30mm Bi Slot Opposite

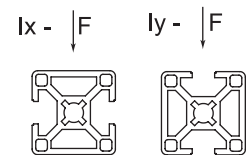


Product Information

ITEM#	SERIES	FINISH	MATERIAL	ALLOY	STOCK LENGTH	WEIGHT	ESTIMATED AREA	MOMENT OF INERTIA	DROP LOCK
670084	30	Clear Anodize	Aluminum	6560-T6	Per inch / Max 239" (6 Meters)	.655 lbs/ft	.546 in ²	I _x = .067 in ⁴ I _y = .083 in ⁴	No
670184		Black Anodize							

Bulk Information

FINISH	1000 SERIES	BUNDLE PCS QTY	2000 SERIES	BUNDLE PCS QTY	LENGTH
Clear	100056	170	200201	20	239" (6 Meters)
Black	103017	170	200215	20	



Machining Services

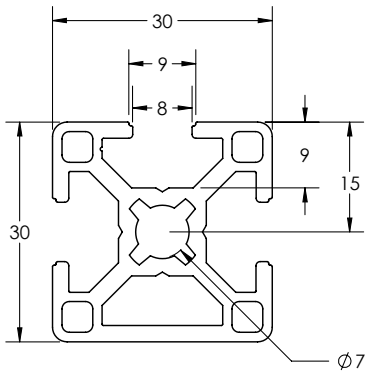
ITEM#	SERIES	SERVICE DESCRIPTION
670502	30	Cut to Length
670518		7.9 mm Single Access Hole
670519		11 mm Single Access Hole
670511		Tap M8

End Cap

ITEM#	COLOR	STYLE
671000	Black	Blank

* See page 372 & 373 for end caps

TS30-30 B TRI - 30mm x 30mm Tri Slot

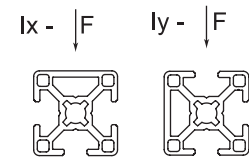


Product Information

ITEM#	SERIES	FINISH	MATERIAL	ALLOY	STOCK LENGTH	WEIGHT	ESTIMATED AREA	MOMENT OF INERTIA	DROP LOCK
670079	30	Clear Anodize	Aluminum	6560-T6	Per inch / Max 239" (6 Meters)	1.152 lbs/ft	.514 in ²	I _x = .067 in ⁴ I _y = .075 in ⁴	No
670179		Black Anodize							

Bulk Information

FINISH	1000 SERIES	BUNDLE PCS QTY	2000 SERIES	BUNDLE PCS QTY	LENGTH
Clear	100083	150	200083	20	239" (6 Meters)
Black	100183	150	200270	20	



Machining Services

ITEM#	SERIES	SERVICE DESCRIPTION
670502	30	Cut to Length
670518		7.9 mm Single Access Hole
670519		11 mm Single Access Hole
670511		Tap M8

End Cap

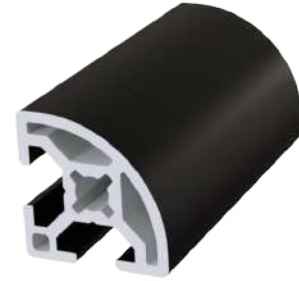
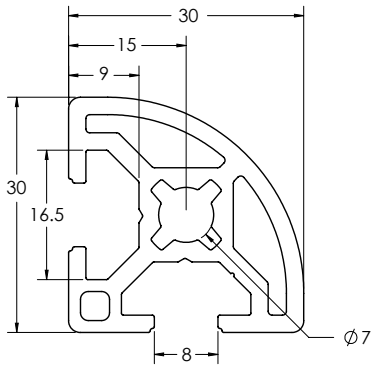
ITEM#	COLOR	STYLE
671000	Black	Blank

* See page 372 & 373 for end caps

B-Series Extrusions

30 SERIES

TS30-30 B QR - 30mm x 30mm Quarter Round



Product Information

ITEM#	SERIES	FINISH	MATERIAL	ALLOY	STOCK LENGTH	WEIGHT	ESTIMATED AREA	MOMENT OF INERTIA	DROP LOCK
670009	30	Clear Anodize	Aluminum	6560-T6	Per inch / Max 239" (6 Meters)	.655 lbs/ft	.520 in ²	I _x = .049 in ⁴ I _y = .082 in ⁴	No
670109		Black Anodize							

Bulk Information

FINISH	1000 SERIES	BUNDLE PCS QTY	2000 SERIES	BUNDLE PCS QTY	LENGTH
Clear	101801	150	200202	20	239" (6 Meters)
Black	103051	150	200271	20	

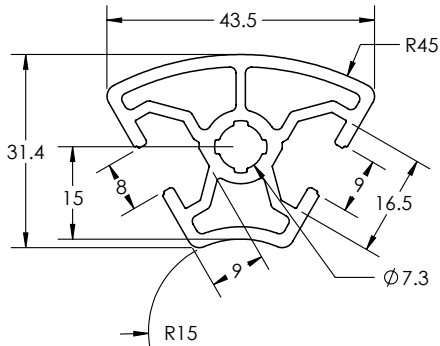
Machining Services

ITEM#	SERIES	SERVICE DESCRIPTION
670502	30	Cut to Length
670518		7.9 mm Single Access Hole
670519		11 mm Single Access Hole
670511		Tap M8

B-Series Extrusions

30 SERIES

TS30-30 B R 45 - 30mm x 30mm Round 45

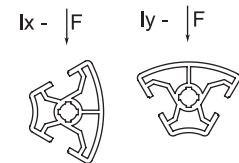


Product Information

ITEM#	SERIES	FINISH	MATERIAL	ALLOY	STOCK LENGTH	WEIGHT	ESTIMATED AREA	MOMENT OF INERTIA	DROP LOCK
670015	30	Clear Anodize	Aluminum	6560-T6	Per inch / Max 239" (6 Meters)	.674 lbs/ft	.562 in ²	I _x = .074 in ⁴ I _y = .099 in ⁴	No
670115		Black Anodize							

Bulk Information

FINISH	1000 SERIES	BUNDLE PCS QTY	2000 SERIES	BUNDLE PCS QTY	LENGTH
Clear	100044	150	200203	20	239" (6 Meters)
Black	103019	150	200204	20	



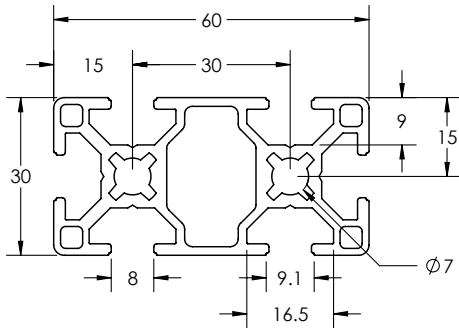
Machining Services

ITEM#	SERIES	SERVICE DESCRIPTION
670503	30	Cut to Length
670511		Tap M8

B-Series Extrusions

30 SERIES

TS30-60 B - 30mm x 60mm

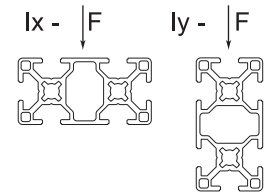


Product Information

ITEM#	SERIES	FINISH	MATERIAL	ALLOY	STOCK LENGTH	WEIGHT	ESTIMATED AREA	MOMENT OF INERTIA	DROP LOCK
670017	30	Clear Anodize	Aluminum	6560-T6	Per inch / Max 239" (6 Meters)	1.488 lbs/ft	.862 in ²	I _x = .122 in ⁴ I _y = .473 in ⁴	No
670117		Black Anodize							

Bulk Information

FINISH	1000 SERIES	BUNDLE PCS QTY	2000 SERIES	BUNDLE PCS QTY	LENGTH
Clear	100063	102	200063	10	239" (6 Meters)
Black	100060	102	200060	10	



Machining Services

ITEM#	SERIES	SERVICE DESCRIPTION
670503	30	Cut to Length
670518		7.9 mm Single Access Hole
670519		11 mm Single Access Hole
670512		Tap M8

End Cap

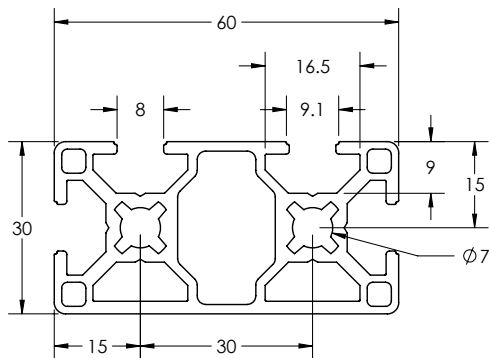
ITEM#	COLOR	STYLE
671013	Black	Blank

* See page 372 & 373 for end caps

B-Series Extrusions

30 SERIES

TS30-60 B TRI - 30mm x 60mm Tri Side 4 Open Slots

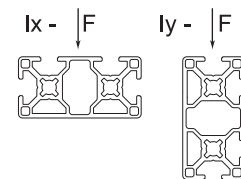


Product Information

ITEM#	SERIES	FINISH	MATERIAL	ALLOY	STOCK LENGTH	WEIGHT	ESTIMATED AREA	MOMENT OF INERTIA	DROP LOCK
670087	30	Clear Anodize	Aluminum	6560-T6	Per inch / Max 239" (6 Meters)	1.103 lbs/ft	.919 in ²	I _x = .138 in ⁴ I _y = .493 in ⁴	No
670187		Black Anodize							

Bulk Information

FINISH	1000 SERIES	BUNDLE PCS QTY	2000 SERIES	BUNDLE PCS QTY	LENGTH
Clear	100087	102	200205	10	239" (6 Meters)
Black	100200	102	200272	10	



Machining Services

ITEM#	SERIES	SERVICE DESCRIPTION
670503	30	Cut to Length
670518		7.9 mm Single Access Hole
670519		11 mm Single Access Hole
670512		Tap M8

End Cap

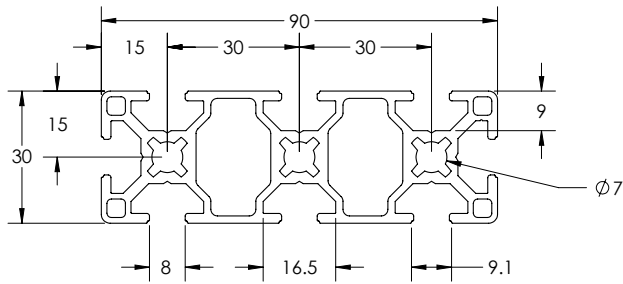
ITEM#	COLOR	STYLE
671013	Black	Blank

* See page 372 & 373 for end caps

B-Series Extrusions

30 SERIES

TS30-90 B - 30mm x 90mm

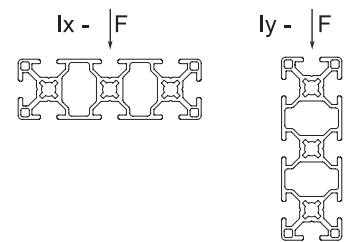


Product Information

ITEM#	SERIES	FINISH	MATERIAL	ALLOY	STOCK LENGTH	WEIGHT	ESTIMATED AREA	MOMENT OF INERTIA	DROP LOCK
670020	30	Clear Anodize	Aluminum	6560-T6	Per inch / Max 239" (6 Meters)	1.034 lbs/ft	1.236 in ²	I _x = .200 in ⁴ I _y = .500 in ⁴	No
670120		Black Anodize							

Bulk Information

FINISH	1000 SERIES	BUNDLE PCS QTY	2000 SERIES	BUNDLE PCS QTY	LENGTH
Clear	102949	50	200206	20	239" (6 Meters)
Black	102951	50	200273	20	



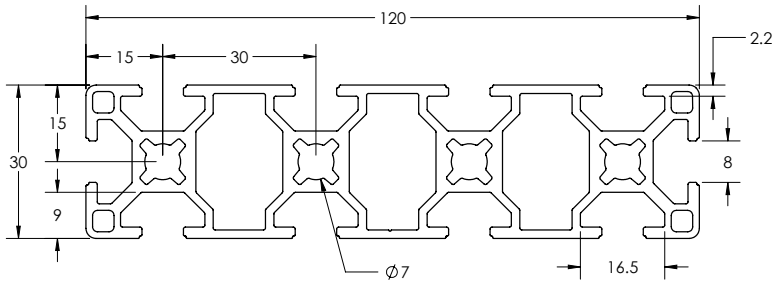
Machining Services

ITEM#	SERIES	SERVICE DESCRIPTION
660001	30	Cut to Length
670518		7.9 mm Single Access Hole
670519		11 mm Single Access Hole
660011		Tap M8

B-Series Extrusions

30 SERIES

TS30-120 B - 30mm x 120mm

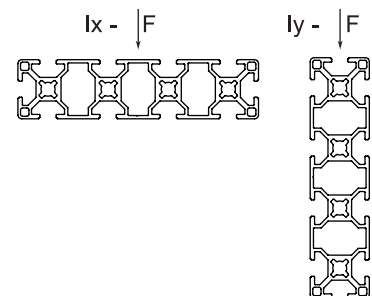


Product Information

ITEM#	SERIES	FINISH	MATERIAL	ALLOY	STOCK LENGTH	WEIGHT	ESTIMATED AREA	MOMENT OF INERTIA	DROP LOCK
670013	30	Clear Anodize	Aluminum	6560-T6	Per inch / Max 239" (6 Meters)	1.923 lbs/ft	1.603 in ²	I _x = .231 in ⁴ I _y = 3.356 in ⁴	No

Bulk Information

FINISH	1000 SERIES	BUNDLE PCS QTY	2000 SERIES	BUNDLE PCS QTY	LENGTH
Clear	103438	40	200353	20	239" (6 Meters)



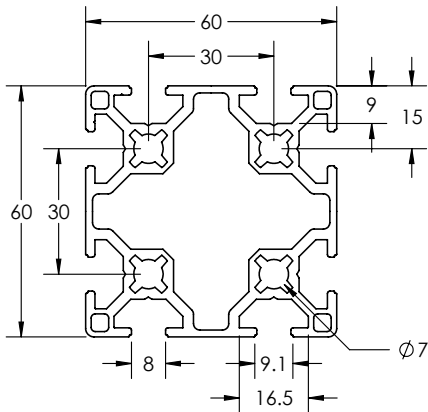
Machining Services

ITEM#	SERIES	SERVICE DESCRIPTION
660001	30	Cut to Length
670518		7.9 mm Single Access Hole
670519		11 mm Single Access Hole
660011		Tap M8

B-Series Extrusions

30 SERIES

TS60-60 B 8 SLOT - 60mm x 60mm 8 Slot



Product Information

ITEM#	SERIES	FINISH	MATERIAL	ALLOY	STOCK LENGTH	WEIGHT	ESTIMATED AREA	MOMENT OF INERTIA	DROP LOCK
670018	30	Clear Anodize	Aluminum	6560-T6	Per inch / Max 239" (6 Meters)	1.711 lbs/ft	1.426 in ²	I _x = .873 in ⁴ I _y = .873 in ⁴	No
670118		Black Anodize							

Bulk Information

FINISH	1000 SERIES	BUNDLE PCS QTY	2000 SERIES	BUNDLE PCS QTY	LENGTH
Clear	100059	64	200059	20	239" (6 Meters)
Black	100061	64	200061	20	

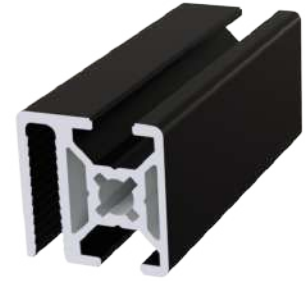
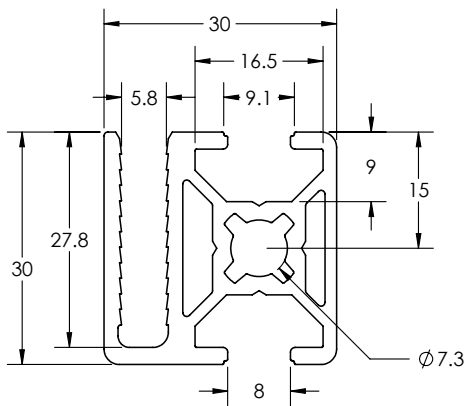
Machining Services

ITEM#	SERIES	SERVICE DESCRIPTION
670506	30	Cut to Length
670520		9.8 mm Single Access Hole
670521		17 mm Single Access Hole
660032		Tap M8

B-Series Extrusions

30 SERIES

TS30-30 FG 30B - 30mm x 30mm FG 30B

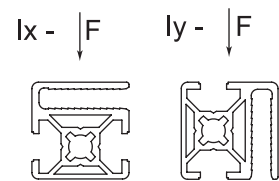


Product Information

ITEM#	SERIES	FINISH	MATERIAL	ALLOY	STOCK LENGTH	WEIGHT	ESTIMATED AREA	MOMENT OF INERTIA	DROP LOCK
670070	30	Clear Anodize	Aluminum	6560-T6	Per inch / Max 239" (6 Meters)	.648 lbs/ft	.540 in ²	I _x = .065 in ⁴ I _y = .080 in ⁴	No
670170		Black Anodize							

Bulk Information

FINISH	1000 SERIES	BUNDLE PCS QTY	2000 SERIES	BUNDLE PCS QTY	LENGTH
Clear	100049	170	200207	20	239" (6 Meters)
Black	103021	170	200208	20	



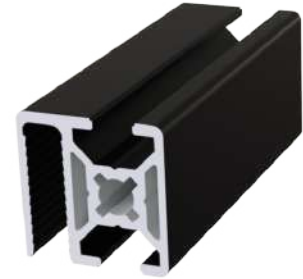
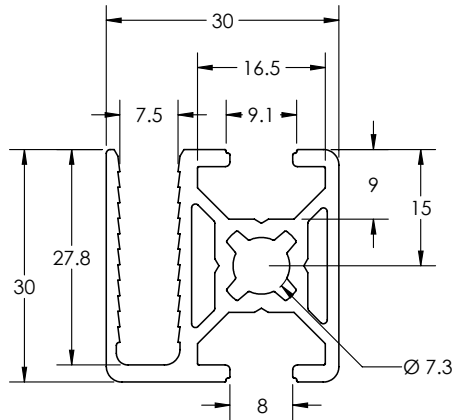
Machining Services

ITEM#	SERIES	SERVICE DESCRIPTION
670502	30	Cut to Length
670518		7.9 mm Single Access Hole
670519		11 mm Single Access Hole
670511		Tap M8

B-Series Extrusions

30 SERIES

TS30-30 FG 40B - 30mm x 30mm FG 40B

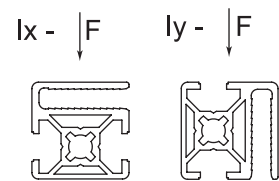


Product Information

ITEM#	SERIES	FINISH	MATERIAL	ALLOY	STOCK LENGTH	WEIGHT	ESTIMATED AREA	MOMENT OF INERTIA	DROP LOCK
670072	30	Clear Anodize	Aluminum	6560-T6	Per inch / Max 239" (6 Meters)	.588 lbs/ft	.490 in ²	I _x = .057 in ⁴ I _y = .073 in ⁴	No
670172		Black Anodize							

Bulk Information

FINISH	1000 SERIES	BUNDLE PCS QTY	2000 SERIES	BUNDLE PCS QTY	LENGTH
Clear	100022	187	200209	20	239" (6 Meters)
Black	103023	187	200210	20	



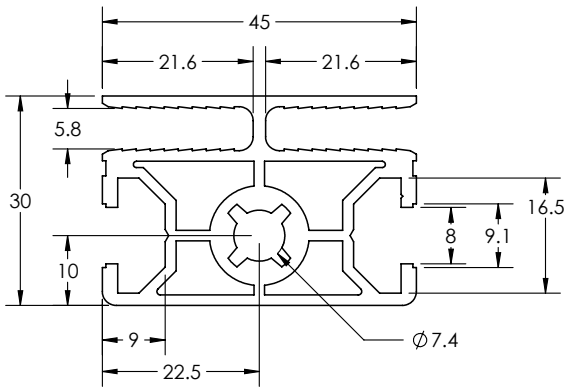
Machining Services

ITEM#	SERIES	SERVICE DESCRIPTION
670502	30	Cut to Length
670518		7.9 mm Single Access Hole
670519		11 mm Single Access Hole
670511		Tap M8

B-Series Extrusions

30 SERIES

TS30-45 FG 30B - 30mm x 45mm FG 30B

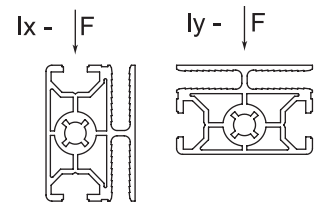


Product Information

ITEM#	SERIES	FINISH	MATERIAL	ALLOY	STOCK LENGTH	WEIGHT	ESTIMATED AREA	MOMENT OF INERTIA	DROP LOCK
670071	30	Clear Anodize	Aluminum	6560-T6	Per inch / Max 239" (6 Meters)	.886 lbs/ft	.738 in ²	I _x = .106 in ⁴ I _y = .184 in ⁴	No
670171		Black Anodize							

Bulk Information

FINISH	1000 SERIES	BUNDLE PCS QTY	2000 SERIES	BUNDLE PCS QTY	LENGTH
Clear	100050	119	200212	20	239" (6 Meters)
Black	103025	119	200274	20	



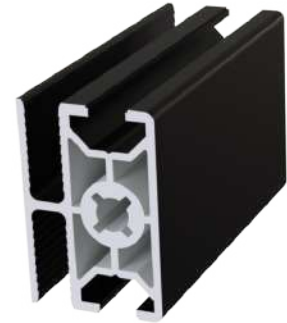
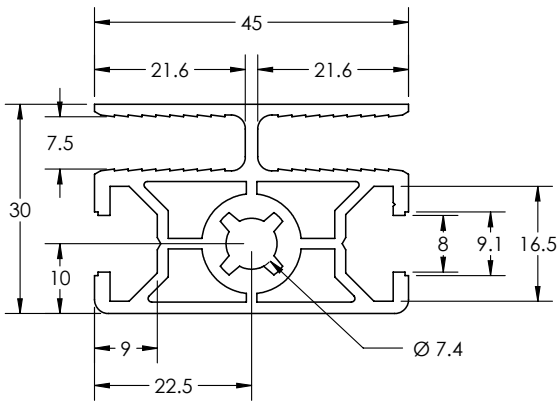
Machining Services

ITEM#	SERIES	SERVICE DESCRIPTION
670502	30	Cut to Length
670518		7.9 mm Single Access Hole
670519		11 mm Single Access Hole
670511		Tap M8

B-Series Extrusions

30 SERIES

TS30-45 FG 40B - 30mm x 45mm FG 40B

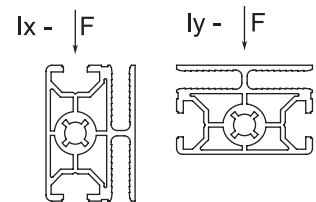


Product Information

ITEM#	SERIES	FINISH	MATERIAL	ALLOY	STOCK LENGTH	WEIGHT	ESTIMATED AREA	MOMENT OF INERTIA	DROP LOCK
670074	30	Clear Anodize	Aluminum	6560-T6	Per inch / Max 239" (6 Meters)	.869 lbs/ft	.724 in ²	I _x = .103 in ⁴ I _y = .171 in ⁴	No
670174		Black Anodize							

Bulk Information

FINISH	1000 SERIES	BUNDLE PCS QTY	2000 SERIES	BUNDLE PCS QTY	LENGTH
Clear	100051	119	200213	20	239" (6 Meters)
Black	103027	119	200275	20	



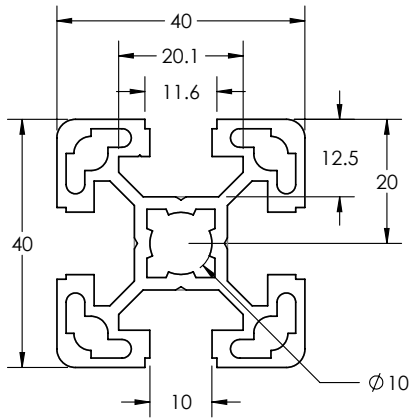
Machining Services

ITEM#	SERIES	SERVICE DESCRIPTION
670502	30	Cut to Length
670518		7.9 mm Single Access Hole
670519		11 mm Single Access Hole
670511		Tap M8

B-Series Extrusions

40 SERIES

TS40-40 LB - 40mm x 40mm Lite



Product Information

ITEM#	SERIES	FINISH	MATERIAL	ALLOY	STOCK LENGTH	WEIGHT	ESTIMATED AREA	MOMENT OF INERTIA	DROP LOCK
670076	40	Clear Anodize	Aluminum	6560-T6	Per inch / Max 239" (6 Meters)	1.027 lbs/ft	.856 in ²	I _x = .217 in ⁴ I _y = .217 in ⁴	No
670176		Black Anodize							

Bulk Information

FINISH	1000 SERIES	BUNDLE PCS QTY	2000 SERIES	BUNDLE PCS QTY	LENGTH
Clear	100034	96	200034	20	239" (6 Meters)
Black	103055	96	200216	20	

Machining Services

ITEM#	SERIES	SERVICE DESCRIPTION
660003	40	Cut to Length
670520		9.8 mm Single Access Hole
670521		17 mm Single Access Hole
670513		Tap M12

End Cap

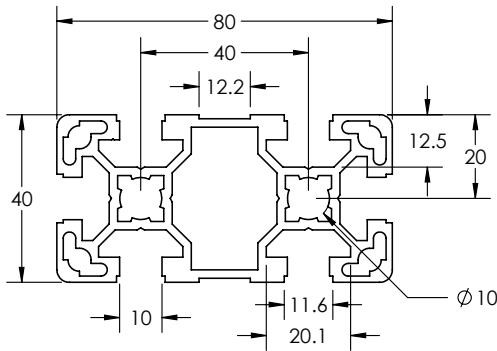
ITEM#	COLOR	STYLE
671008	Black	Blank

* See page 372 & 373 for end caps

B-Series Extrusions

40 SERIES

TS40-80 LB - 40mm x 80mm Lite

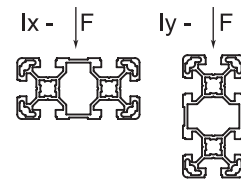


Product Information

ITEM#	SERIES	FINISH	MATERIAL	ALLOY	STOCK LENGTH	WEIGHT	ESTIMATED AREA	MOMENT OF INERTIA	DROP LOCK
670075	40	Clear Anodize	Aluminum	6560-T6	Per inch / Max 239" (6 Meters)	1.801 lbs/ft	1.501 in ²	I _x = .412 in ⁴ I _y = 1.499 in ⁴	No
670175		Black Anodize							

Bulk Information

FINISH	1000 SERIES	BUNDLE PCS QTY	2000 SERIES	BUNDLE PCS QTY	LENGTH
Clear	100052	54	200052	12	239" (6 Meters)
Black	103056	54	200279	12	



Machining Services

ITEM#	SERIES	SERVICE DESCRIPTION
660006	40	Cut to Length
670520		9.8 mm Single Access Hole
670521		17 mm Single Access Hole
670514		Tap M12

End Cap

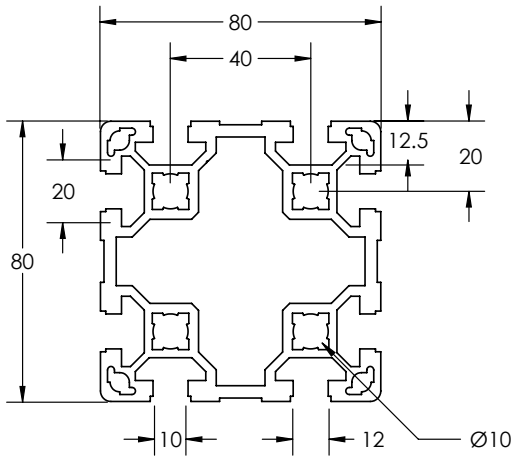
ITEM#	COLOR	STYLE
671768	Black	Blank

* See page 372 & 373 for end caps

B-Series Extrusions

40 SERIES

TS80-80 LB - 80mm x 80mm Lite



Product Information

ITEM#	SERIES	FINISH	MATERIAL	ALLOY	STOCK LENGTH	WEIGHT	ESTIMATED AREA	MOMENT OF INERTIA	DROP LOCK
670077	40	Clear Anodize	Aluminum	6560-T6	Per inch / Max 239" (6 Meters)	3.376 lbs/ft	2.813 in ²	I _x = 3.172 in ⁴ I _y = 3.172 in ⁴	No
670177		Black Anodize							

Bulk Information

FINISH	1000 SERIES	BUNDLE PCS QTY	2000 SERIES	BUNDLE PCS QTY	LENGTH
Clear	100220	30	200220	6	239" (6 Meters)
Black	103058	30	200280	6	

Machining Services

ITEM#	SERIES	SERVICE DESCRIPTION
660013	40	Cut to Length
670520		9.8 mm Single Access Hole
670521		17 mm Single Access Hole
670515		Tap M12

End Cap

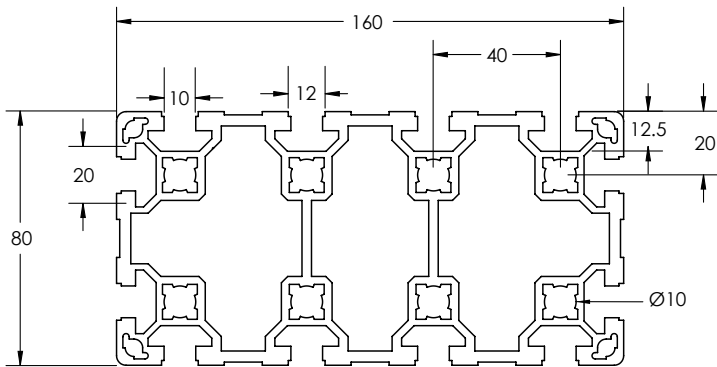
ITEM#	COLOR	STYLE
671769	Black	Blank

* See page 372 & 373 for end caps

B-Series Extrusions

40 SERIES

TS80-160 LB - 80mm x 160mm Lite

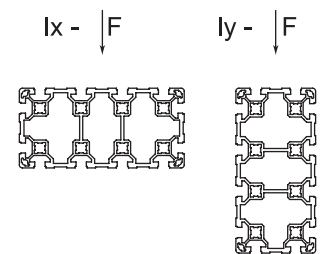


Product Information

ITEM#	SERIES	FINISH	MATERIAL	ALLOY	STOCK LENGTH	WEIGHT	ESTIMATED AREA	MOMENT OF INERTIA	DROP LOCK
670078	40	Clear Anodize	Aluminum	6560-T6	Per inch / Max 145" (3.66 Meters)	5.965 lbs/ft	4.971 in ²	I _x = 6.020 in ⁴ I _y = 19.847 in ⁴	No
670178		Black Anodize							

Bulk Information

FINISH	1000 SERIES	BUNDLE PCS QTY	2000 SERIES	BUNDLE PCS QTY	LENGTH
Clear	100225	27	200225	3	145" (3.66 Meters)
Black	103057	27	200281	3	



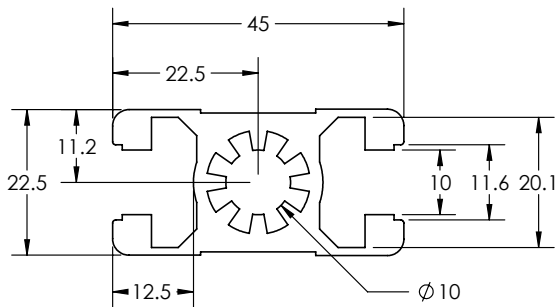
Machining Services

ITEM#	SERIES	SERVICE DESCRIPTION
660008	40	Cut to Length
670520		9.8 mm Single Access Hole
670521		17 mm Single Access Hole
670528		Tap M12

B-Series Extrusions

45 SERIES

TS22.5-45 B - 22.5mm x 45mm

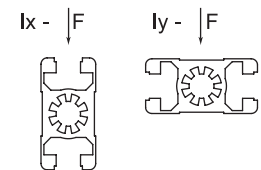


Product Information

ITEM#	SERIES	FINISH	MATERIAL	ALLOY	STOCK LENGTH	WEIGHT	ESTIMATED AREA	MOMENT OF INERTIA	DROP LOCK
670067	45	Clear Anodize	Aluminum	6560-T6	Per inch / Max 239" (6 Meters)	.850 lbs/ft	.708 in ²	I _x = .069 in ⁴ I _y = .171 in ⁴	No
670167		Black Anodize							

Bulk Information

FINISH	1000 SERIES	BUNDLE PCS QTY	2000 SERIES	BUNDLE PCS QTY	LENGTH
Clear	100048	100	200217	24	239" (6 Meters)
Black	103068	100	200218	24	



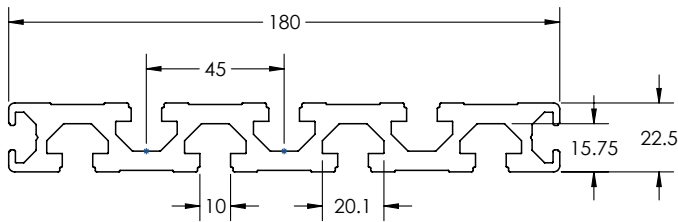
Machining Services

ITEM#	SERIES	SERVICE DESCRIPTION
670502	45	Cut to Length
670520		9.8 mm Single Access Hole
670521		17 mm Single Access Hole
670513		Tap M12

B-Series Extrusions

45 SERIES

TS22.5-180 B - 22.5mm x 180mm



Product Information

ITEM#	SERIES	FINISH	MATERIAL	ALLOY	STOCK LENGTH	WEIGHT	ESTIMATED AREA	MOMENT OF INERTIA	DROP LOCK
670001	45	Clear Anodize	Aluminum	6560-T6	Per inch / Max 239" (6 Meters)	4.024 lbs/ft	3.354 in ²	Ix = 0.280 in ⁴ Iy = 14.050 in ⁴	No
670101		Black Anodize							

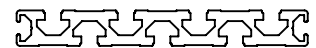
Bulk Information

FINISH	1000 SERIES	BUNDLE PCS QTY	2000 SERIES	BUNDLE PCS QTY	LENGTH
Clear	103059	20	200318	6	239" (6 Meters)
Black	103060	20	200331	6	

Ix - |F



Iy - |F



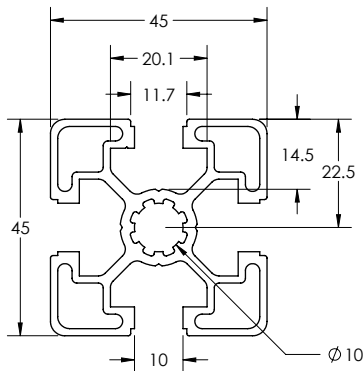
Machining Services

ITEM#	SERIES	SERVICE DESCRIPTION
670508	45	Cut to Length
670520		9.8 mm Single Access Hole
670521		17 mm Single Access Hole

B-Series Extrusions

45 SERIES

TS45-45 LB - 45mm x 45mm Lite



Product Information

ITEM#	SERIES	FINISH	MATERIAL	ALLOY	STOCK LENGTH	WEIGHT	ESTIMATED AREA	MOMENT OF INERTIA	DROP LOCK
670030	45	Clear Anodize	Aluminum	6560-T6	Per inch / Max 239" (6 Meters)	1.064 lbs/ft	.884 in ²	I _x = .264 in ⁴ I _y = .264 in ⁴	No
670130		Black Anodize							
670230		Yellow Powder Coat			Per Inch / 144" (3.6 Meters)				

Bulk Information

FINISH	1000 SERIES	BUNDLE PCS QTY	2000 SERIES	BUNDLE PCS QTY	LENGTH
Clear	100004	88	200004	20	239" (6 Meters)
Black	100080	88	200196	20	

Machining Services

ITEM#	SERIES	SERVICE DESCRIPTION
670504	45	Cut to Length
670520		9.8 mm Single Access Hole
670521		17 mm Single Access Hole
670513		Tap M12

End Cap

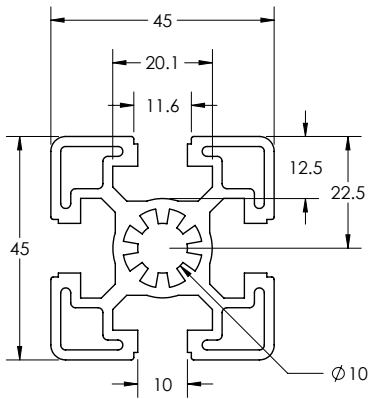
ITEM#	COLOR	STYLE
671002	Black	Blank

* See page 372 & 373 for end caps

B-Series Extrusions

45 SERIES

TS45-45 HB - 45mm x 45mm Heavy



Product Information

ITEM#	SERIES	FINISH	MATERIAL	ALLOY	STOCK LENGTH	WEIGHT	ESTIMATED AREA	MOMENT OF INERTIA	DROP LOCK
670031	45	Clear Anodize	Aluminum	6560-T6	Per inch / Max 239" (6 Meters)	1.392 lbs/ft	1.160 in ²	I _x = .334 in ⁴ I _y = .334 in ⁴	No
670131		Black Anodize							

Bulk Information

FINISH	1000 SERIES	BUNDLE PCS QTY	2000 SERIES	BUNDLE PCS QTY	LENGTH
Clear	100018	66	200018	20	239" (6 Meters)
Black	102984	66	200219	20	

Machining Services

ITEM#	SERIES	SERVICE DESCRIPTION
670504	45	Cut to Length
670520		9.8 mm Single Access Hole
670521		17 mm Single Access Hole
670513		Tap M12

End Cap

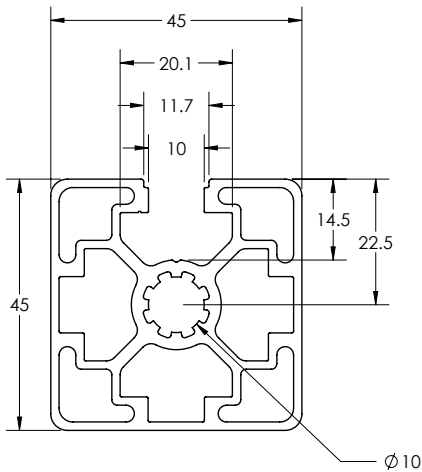
ITEM#	COLOR	STYLE
671002	Black	Blank

* See page 372 & 373 for end caps

B-Series Extrusions

45 SERIES

TS45-45 LB MONO - 45mm x 45mm Lite Mono Slot

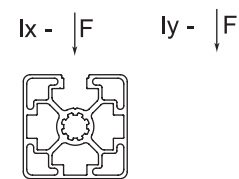


Product Information

ITEM#	SERIES	FINISH	MATERIAL	ALLOY	STOCK LENGTH	WEIGHT	ESTIMATED AREA	MOMENT OF INERTIA	DROP LOCK
670083	45	Clear Anodize	Aluminum	6560-T6	Per inch / Max 239" (6 Meters)	1.042 lbs/ft	.868 in ²	I _x = .266 in ⁴ I _y = .269 in ⁴	No
670183		Black Anodize							

Bulk Information

FINISH	1000 SERIES	BUNDLE PCS QTY	2000 SERIES	BUNDLE PCS QTY	LENGTH
Clear	100055	99	200221	20	239" (6 Meters)
Black	102987	99	200317	20	



Machining Services

ITEM#	SERIES	SERVICE DESCRIPTION
670504	45	Cut to Length
670520		9.8 mm Single Access Hole
670521		17 mm Single Access Hole
670513		Tap M12

End Cap

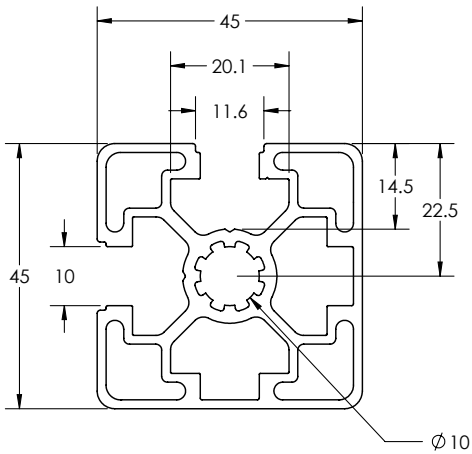
ITEM#	COLOR	STYLE
671002	Black	Blank

* See page 372 & 373 for end caps

B-Series Extrusions

45 SERIES

TS45-45 LB BIADJ - 45mm x 45mm Lite Bi Slot Adjacent



Product Information

ITEM#	SERIES	FINISH	MATERIAL	ALLOY	STOCK LENGTH	WEIGHT	ESTIMATED AREA	MOMENT OF INERTIA	DROP LOCK
670081	45	Clear Anodize	Aluminum	6560-T6	Per inch / Max 239" (6 Meters)	1.045 lbs/ft	.871 in ²	I _x = .266 in ⁴ I _y = .266 in ⁴	No
670181		Black Anodize							

Bulk Information

FINISH	1000 SERIES	BUNDLE PCS QTY	2000 SERIES	BUNDLE PCS QTY	LENGTH
Clear	100053	99	200053	20	239" (6 Meters)
Black	103054	99	200282	20	

Machining Services

ITEM#	SERIES	SERVICE DESCRIPTION
670504	45	Cut to Length
670520		9.8 mm Single Access Hole
670521		17 mm Single Access Hole
670513		Tap M12

End Cap

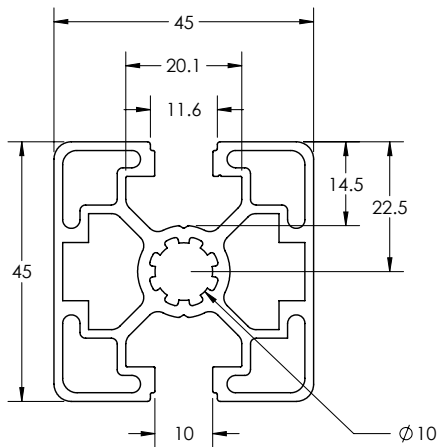
ITEM#	COLOR	STYLE
671002	Black	Blank

* See page 372 & 373 for end caps

B-Series Extrusions

45 SERIES

TS45-45 LB BIOPP - 45mm x 45mm Lite Bi Slot Opposite

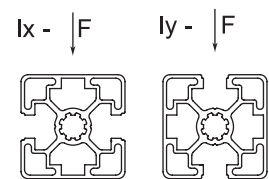


Product Information

ITEM#	SERIES	FINISH	MATERIAL	ALLOY	STOCK LENGTH	WEIGHT	ESTIMATED AREA	MOMENT OF INERTIA	DROP LOCK
670080	45	Clear Anodize	Aluminum	6560-T6	Per inch / Max 239" (6 Meters)	1.045 lbs/ft	.871 in ²	I _x = .263 in ⁴ I _y = .270 in ⁴	No
670180		Black Anodize							

Bulk Information

FINISH	1000 SERIES	BUNDLE PCS QTY	2000 SERIES	BUNDLE PCS QTY	LENGTH
Clear	100062	99	200222	20	239" (6 Meters)
Black	102989	99	200283	20	



Machining Services

ITEM#	SERIES	SERVICE DESCRIPTION
670504	45	Cut to Length
670520		9.8 mm Single Access Hole
670521		17 mm Single Access Hole
670513		Tap M12

End Cap

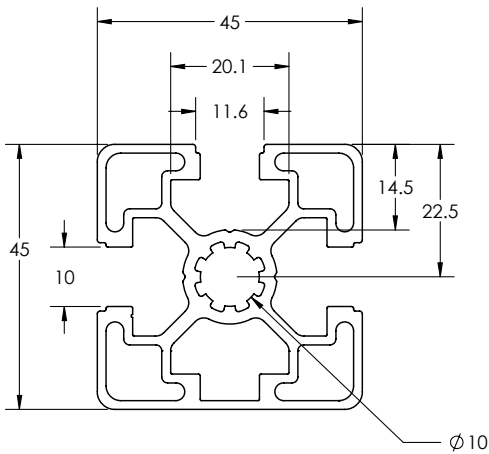
ITEM#	COLOR	STYLE
671002	Black	Blank

* See page 372 & 373 for end caps

B-Series Extrusions

45 SERIES

TS45-45 LB TRI - 45mm x 45mm Lite Tri Slot

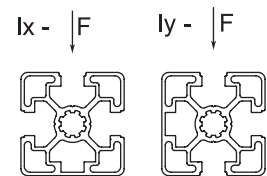


Product Information

ITEM#	SERIES	FINISH	MATERIAL	ALLOY	STOCK LENGTH	WEIGHT	ESTIMATED AREA	MOMENT OF INERTIA	DROP LOCK
670082	45	Clear Anodize	Aluminum	6560-T6	Per inch / Max 239" (6 Meters)	1.063 lbs/ft	.886 in ²	I _x = .265 in ⁴ I _y = .268 in ⁴	No
670182		Black Anodize							

Bulk Information

FINISH	1000 SERIES	BUNDLE PCS QTY	2000 SERIES	BUNDLE PCS QTY	LENGTH
Clear	100054	99	200054	20	239" (6 Meters)
Black	102988	99	200284	20	



Machining Services

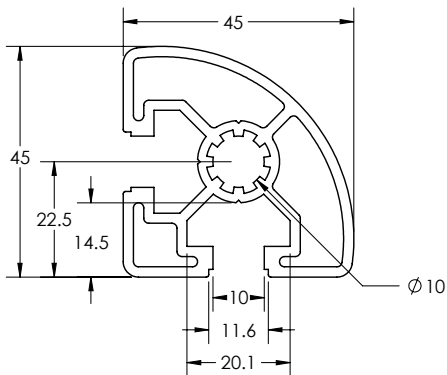
ITEM#	SERIES	SERVICE DESCRIPTION
670504	45	Cut to Length
670520		9.8 mm Single Access Hole
670521		17 mm Single Access Hole
670513		Tap M12

End Cap

ITEM#	COLOR	STYLE
671002	Black	Blank

* See page 372 & 373 for end caps

TS45-45 LB QR - 45mm x 45mm Lite Quarter Round



Product Information

ITEM#	SERIES	FINISH	MATERIAL	ALLOY	STOCK LENGTH	WEIGHT	ESTIMATED AREA	MOMENT OF INERTIA	DROP LOCK
670037	45	Clear Anodize	Aluminum	6560-T6	Per inch / Max 239" (6 Meters)	1.004 lbs/ft	.837 in ²	I _x = .214 in ⁴ I _y = .214 in ⁴	No
670137		Black Anodize							

Bulk Information

FINISH	1000 SERIES	BUNDLE PCS QTY	2000 SERIES	BUNDLE PCS QTY	LENGTH
Clear	100003	99	200003	20	239" (6 Meters)
Black	102990	99	200223	20	

Machining Services

ITEM#	SERIES	SERVICE DESCRIPTION
670504	45	Cut to Length
670520		9.8 mm Single Access Hole
670521		17 mm Single Access Hole
670513		Tap M12

End Cap

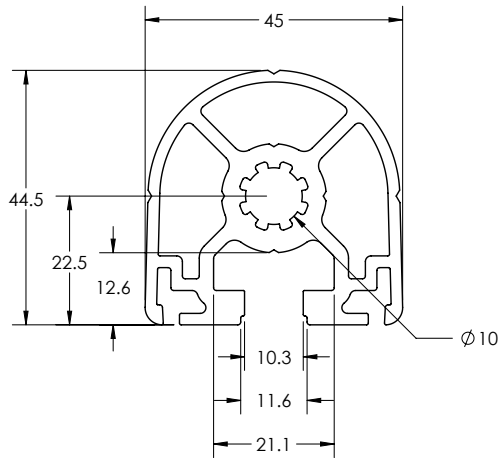
ITEM#	COLOR	STYLE
671756	Black	Blank

* See page 372 & 373 for end caps

B-Series Extrusions

45 SERIES

TS45-45 B HR - 45mm x 45mm Half Round



Product Information

ITEM#	SERIES	FINISH	MATERIAL	ALLOY	STOCK LENGTH	WEIGHT	ESTIMATED AREA	MOMENT OF INERTIA	DROP LOCK
670032	45	Clear Anodize	Aluminum	6560-T6	Per inch / Max 239" (6 Meters)	1.248 lbs/ft	1.042 in ²	I _x = .216 in ⁴ I _y = .212 in ⁴	No
670132		Black Anodize							

Bulk Information

FINISH	1000 SERIES	BUNDLE PCS QTY	2000 SERIES	BUNDLE PCS QTY	LENGTH
Clear	100047	88	200224	20	239" (6 Meters)
Black	102991	88	200285	20	

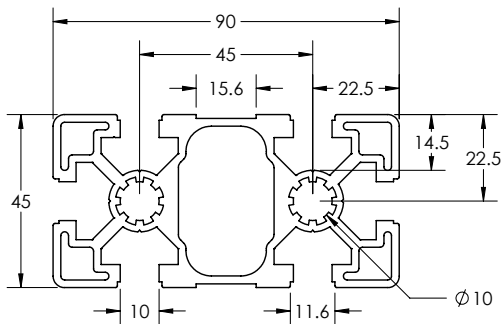
Machining Services

ITEM#	SERIES	SERVICE DESCRIPTION
670504	45	Cut to Length
670520		9.8 mm Single Access Hole
670521		17 mm Single Access Hole
670513		Tap M12

B-Series Extrusions

45 SERIES

TS45-90 LB - 45mm x 90mm Lite

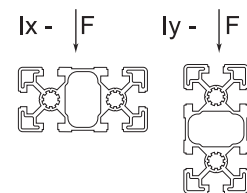


Product Information

ITEM#	SERIES	FINISH	MATERIAL	ALLOY	STOCK LENGTH	WEIGHT	ESTIMATED AREA	MOMENT OF INERTIA	DROP LOCK
670043	45	Clear Anodize	Aluminum	6560-T6	Per inch / Max 239" (6 Meters)	2.365 lbs/ft	1.973 in ²	I _x = .644 in ⁴ I _y = 2.349 in ⁴	No
670143		Black Anodize							

Bulk Information

FINISH	1000 SERIES	BUNDLE PCS QTY	2000 SERIES	BUNDLE PCS QTY	LENGTH
Clear	100005	45	200005	12	239" (6 Meters)
Black	100078	45	200078	12	



Machining Services

ITEM#	SERIES	SERVICE DESCRIPTION
670505	45	Cut to Length
670520		9.8 mm Single Access Hole
670521		17 mm Single Access Hole
670514		Tap M12

End Cap

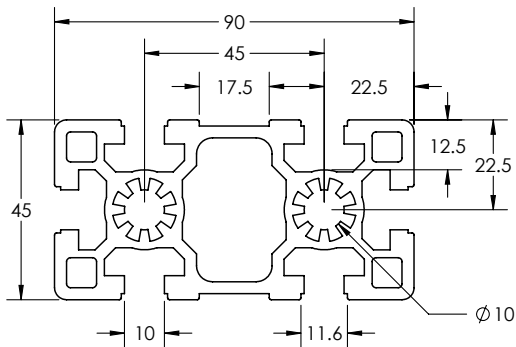
ITEM#	COLOR	STYLE
671009	Black	Blank

* See page 372 & 373 for end caps

B-Series Extrusions

45 SERIES

TS45-90 HB - 45mm x 90mm Heavy

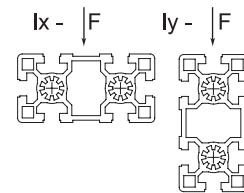


Product Information

ITEM#	SERIES	FINISH	MATERIAL	ALLOY	STOCK LENGTH	WEIGHT	ESTIMATED AREA	MOMENT OF INERTIA	DROP LOCK
670044	45	Clear Anodize	Aluminum	6560-T6	Per inch / Max 239" (6 Meters)	2.832 lbs/ft	2.360 in ²	I _x = .774 in ⁴ I _y = 2.978 in ⁴	No
670144		Black Anodize							

Bulk Information

FINISH	1000 SERIES	BUNDLE PCS QTY	2000 SERIES	BUNDLE PCS QTY	LENGTH
Clear	100019	35	200019	12	239" (6 Meters)
Black	103062	35	200286	12	



Machining Services

ITEM#	SERIES	SERVICE DESCRIPTION
670505	45	Cut to Length
670520		9.8 mm Single Access Hole
670521		17 mm Single Access Hole
670514		Tap M12

End Cap

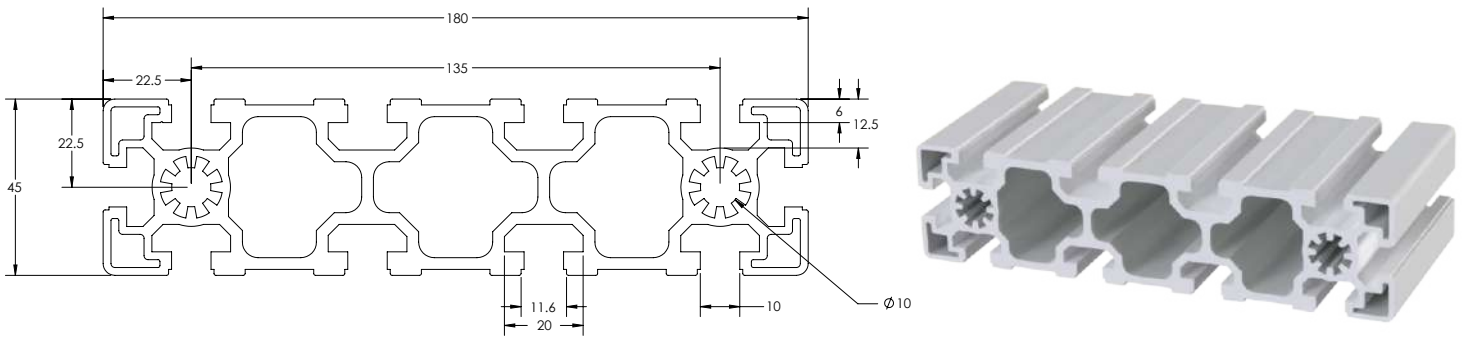
ITEM#	COLOR	STYLE
671009	Black	Blank

* See page 372 & 373 for end caps

B-Series Extrusions

45 SERIES

TS45-180 B - 45mm x 180mm

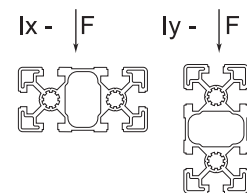


Product Information

ITEM#	SERIES	FINISH	MATERIAL	ALLOY	STOCK LENGTH	WEIGHT	ESTIMATED AREA	MOMENT OF INERTIA	DROP LOCK
670011	45	Clear Anodize	Aluminum	6560-T6	Per inch / Max 239" (6 Meters)	4.766 lbs/ft	3.972 in ²	I _x = 1.382 in ⁴ I _y = 18.400 in ⁴	No

Bulk Information

FINISH	1000 SERIES	BUNDLE PCS QTY	2000 SERIES	BUNDLE PCS QTY	LENGTH
Clear	103256	18	200349	6	239" (6 Meters)



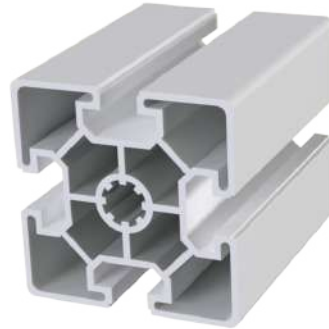
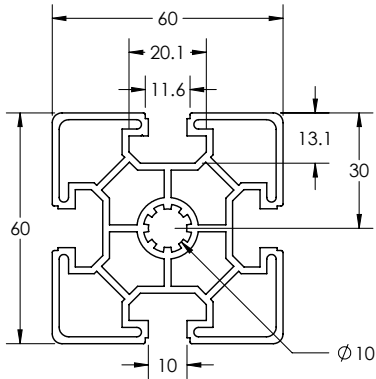
Machining Services

ITEM#	SERIES	SERVICE DESCRIPTION
670508	45	Cut to Length
670520		9.8 mm Single Access Hole
670521		17 mm Single Access Hole
670514		Tap M12

B-Series Extrusions

45 SERIES

TS60-60 LB 4 SLOT - 60mm x 60mm Lite 4 Slot



Product Information

ITEM#	SERIES	FINISH	MATERIAL	ALLOY	STOCK LENGTH	WEIGHT	ESTIMATED AREA	MOMENT OF INERTIA	DROP LOCK
670051	45	Clear Anodize	Aluminum	6560-T6	Per inch / Max 239" (6 Meters)	1.732 lbs/ft	1.444 in ²	I _x = .760 in ⁴ I _y = .760 in ⁴	No
670151		Black Anodize							

Bulk Information

FINISH	1000 SERIES	BUNDLE PCS QTY	2000 SERIES	BUNDLE PCS QTY	LENGTH
Clear	100031	50	200031	20	239" (6 Meters)
Black	103064	50	200226	20	

Machining Services

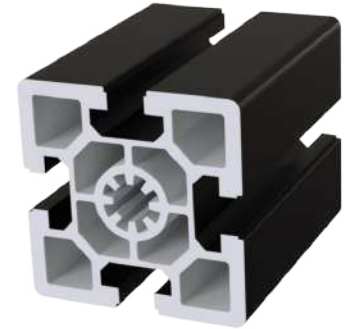
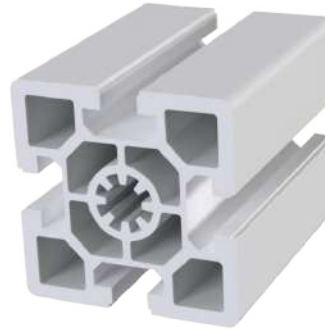
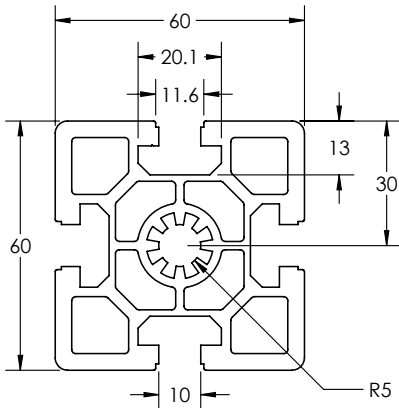
ITEM#	SERIES	SERVICE DESCRIPTION
670506	45	Cut to Length
670520		9.8 mm Single Access Hole
670521		17 mm Single Access Hole
670513		Tap M12

End Cap

ITEM#	COLOR	STYLE
671004	Black	Blank

* See page 372 & 373 for end caps

TS60-60 HB 4 SLOT - 60mm x 60mm Heavy 4 Slot



Product Information

ITEM#	SERIES	FINISH	MATERIAL	ALLOY	STOCK LENGTH	WEIGHT	ESTIMATED AREA	MOMENT OF INERTIA	DROP LOCK
670052	45	Clear Anodize	Aluminum	6560-T6	Per inch / Max 239" (6 Meters)	2.671 lbs/ft	2.226 in ²	I _x = 1.264 in ⁴ I _y = 1.264 in ⁴	No
670152		Black Anodize							

Bulk Information

FINISH	1000 SERIES	BUNDLE PCS QTY	2000 SERIES	BUNDLE PCS QTY	LENGTH
Clear	100032	32	200226	20	239" (6 Meters)
Black	103065	32	200227	20	

Machining Services

ITEM#	SERIES	SERVICE DESCRIPTION
670506	45	Cut to Length
670520		9.8 mm Single Access Hole
670521		17 mm Single Access Hole
670513		Tap M12

End Cap

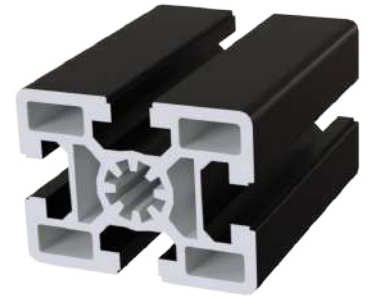
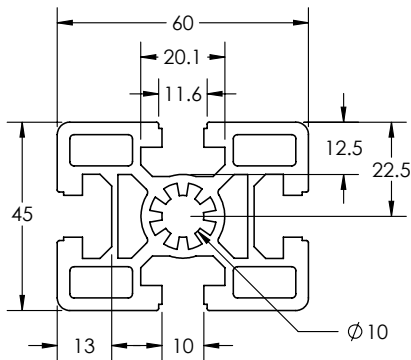
ITEM#	COLOR	STYLE
671004	Black	Blank

* See page 372 & 373 for end caps

B-Series Extrusions

45 SERIES

TS45-60 HB - 45mm x 60mm Heavy

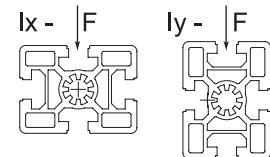


Product Information

ITEM#	SERIES	FINISH	MATERIAL	ALLOY	STOCK LENGTH	WEIGHT	ESTIMATED AREA	MOMENT OF INERTIA	DROP LOCK
670050	45	Clear Anodize	Aluminum	6560-T6	Per inch / Max 239" (6 Meters)	2.039 lbs/ft	1.699 in ²	I _x = .544 in ⁴ I _y = .894 in ⁴	No
670150		Black Anodize							

Bulk Information

FINISH	1000 SERIES	BUNDLE PCS QTY	2000 SERIES	BUNDLE PCS QTY	LENGTH
Clear	100046	44	200228	20	239" (6 Meters)
Black	103066	44	200287	20	



Machining Services

ITEM#	SERIES	SERVICE DESCRIPTION
670505	45	Cut to Length
670520		9.8 mm Single Access Hole
670521		17 mm Single Access Hole
670513		Tap M12

End Cap

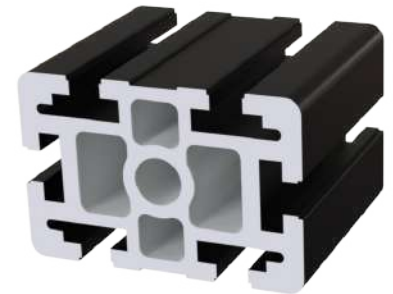
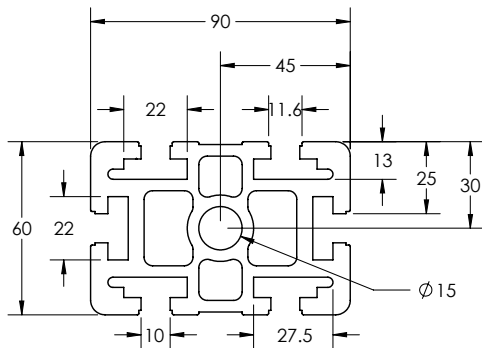
ITEM#	COLOR	STYLE
671003	Black	Blank

* See page 372 & 373 for end caps

B-Series Extrusions

45 SERIES

TS60-90 HB - 60mm x 90mm Heavy

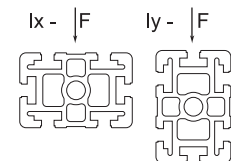


Product Information

ITEM#	SERIES	FINISH	MATERIAL	ALLOY	STOCK LENGTH	WEIGHT	ESTIMATED AREA	MOMENT OF INERTIA	DROP LOCK
670053	45	Clear Anodize	Aluminum	6560-T6	Per inch / Max 239" (6 Meters)	4.763 lbs/ft	3.975 in ²	I _x = 2.173 in ⁴ I _y = 5.105 in ⁴	No
670153		Black Anodize							

Bulk Information

FINISH	1000 SERIES	BUNDLE PCS QTY	2000 SERIES	BUNDLE PCS QTY	LENGTH
Clear	100021	16	200229	10	239" (6 Meters)
Black	103067	16	200230	10	



Machining Services

ITEM#	SERIES	SERVICE DESCRIPTION
670507	45	Cut to Length
670520		9.8 mm Single Access Hole
670521		17 mm Single Access Hole
670516		Tap M16

End Cap

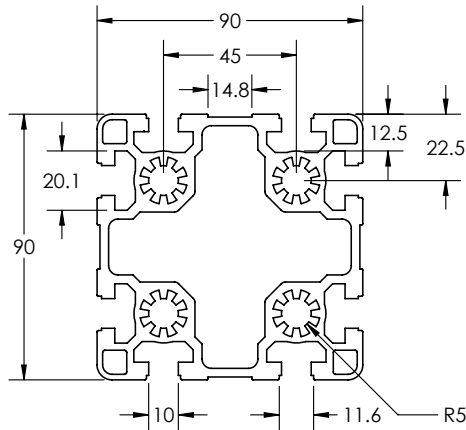
ITEM#	COLOR	STYLE
671007	Black	Blank

* See page 372 & 373 for end caps

B-Series Extrusions

45 SERIES

TS90-90 LB - 90mm x 90mm Lite



Product Information

ITEM#	SERIES	FINISH	MATERIAL	ALLOY	STOCK LENGTH	WEIGHT	ESTIMATED AREA	MOMENT OF INERTIA	DROP LOCK
670057	45	Clear Anodize	Aluminum	6560-T6	Per inch / Max 239" (6 Meters)	4.530 lbs/ft	3.567 in ²	I _x = 5.016 in ⁴ I _y = 5.016 in ⁴	No
670157		Black Anodize							

Bulk Information

FINISH	1000 SERIES	BUNDLE PCS QTY	2000 SERIES	BUNDLE PCS QTY	LENGTH
Clear	100008	25	200008	6	239" (6 Meters)
Black	103063	25	200197	6	

Machining Services

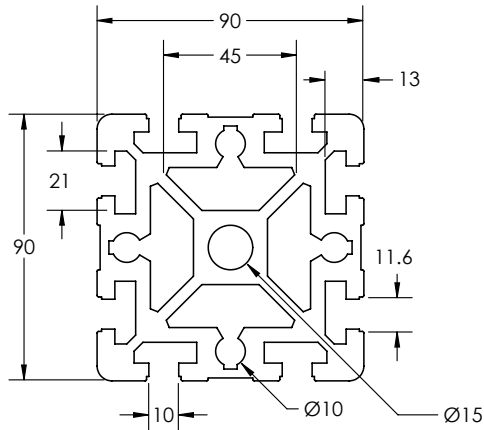
ITEM#	SERIES	SERVICE DESCRIPTION
670508	45	Cut to Length
670520		9.8 mm Single Access Hole
670521		17 mm Single Access Hole
670515		Tap M12

End Cap

ITEM#	COLOR	STYLE
671006	Black	Blank

* See page 372 & 373 for end caps

TS90-90 HB - 90mm x 90mm Heavy



Product Information

ITEM#	SERIES	FINISH	MATERIAL	ALLOY	STOCK LENGTH	WEIGHT	ESTIMATED AREA	MOMENT OF INERTIA	DROP LOCK
670300	45	Clear Anodize	Aluminum	6560-T6	Per inch / Max 145" (3 Meters)	7.125 lbs/ft	5.937 in ²	I _x = 7.171 in ⁴ I _y = 7.171 in ⁴	No

Bulk Information

FINISH	1000 SERIES	BUNDLE PCS QTY	2000 SERIES	BUNDLE PCS QTY	LENGTH
Clear	101807	35	200351	6	239" (6 Meters)

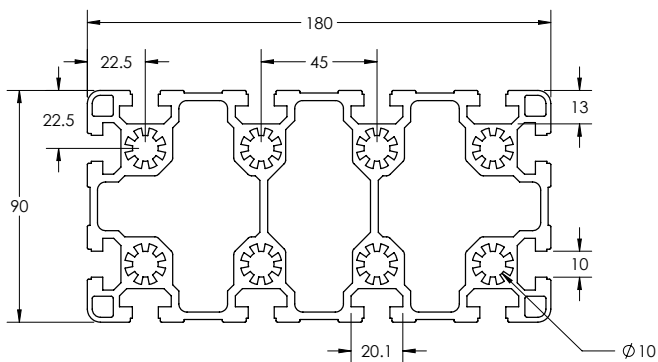
Machining Services

ITEM#	SERIES	SERVICE DESCRIPTION
670508	45	Cut to Length
670516		Tap M16

B-Series Extrusions

45 SERIES

TS90-180 LB - 90mm x 180mm Lite



Product Information

ITEM#	SERIES	FINISH	MATERIAL	ALLOY	STOCK LENGTH	WEIGHT	ESTIMATED AREA	MOMENT OF INERTIA	DROP LOCK
670060	45	Clear Anodize	Aluminum	6560-T6	Per inch / Max 145" (3 Meters)	8.077 lbs/ft	6.730 in ²	I _x = 9.647 in ⁴ I _y = 33.840 in ⁴	No

Bulk Information

FINISH	1000 SERIES	BUNDLE PCS QTY	2000 SERIES	BUNDLE PCS QTY	LENGTH
Clear	199000	32	200350	3	239" (6 Meters)

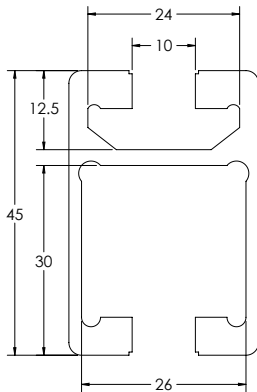
Machining Services

ITEM#	SERIES	SERVICE DESCRIPTION
660008	45	Cut to Length
670520		9.8 mm Single Access Hole
670521		17 mm Single Access Hole
670515		Tap M12

B-Series Extrusions

45 SERIES

TS30-45 B C CHANNEL - 30mm x 45mm C Channel

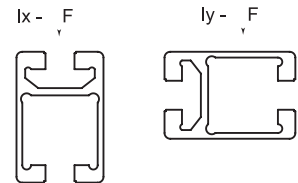


Product Information

ITEM#	SERIES	FINISH	MATERIAL	ALLOY	STOCK LENGTH	WEIGHT	ESTIMATED AREA	MOMENT OF INERTIA	DROP LOCK
670086	45	Clear Anodize	Aluminum	6560-T6	Per inch / Max 239" (6 Meters)	.832 lbs/ft	.693 in ²	I _x = .255 in ⁴ I _y = .136 in ⁴	No
670186		Black Anodize							

Bulk Information

FINISH	1000 SERIES	BUNDLE PCS QTY	2000 SERIES	BUNDLE PCS QTY	LENGTH
Clear	100002	100	200319	20	239" (6 Meters)
Black	103061	100	200332	20	



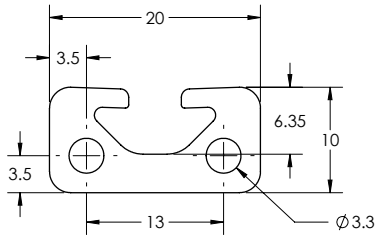
Machining Services

ITEM#	SERIES	SERVICE DESCRIPTION
670502	45	Cut to Length
670518		7.9 mm Single Access Hole
670519		11 mm Single Access Hole

Metric Extrusions

20 SERIES

TS20-10 M - 20mm x 20mm



Product Information

ITEM#	SERIES	FINISH	MATERIAL	ALLOY	STOCK LENGTH	WEIGHT	ESTIMATED AREA	MOMENT OF INERTIA	DROP LOCK
650075	20	Clear Anodize	Aluminum	6560-T6	Per inch / Max 145" (3 Meters)	.241 lbs/ft	.201 in ²	I _x = .003 in ⁴ I _y = .013 in ⁴	2°
650175		Black Anodize							

Bulk Information

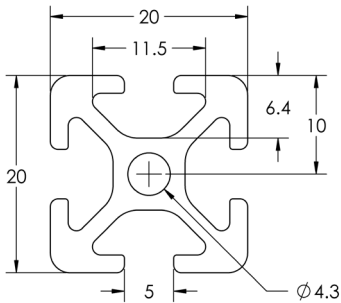
FINISH	1000 SERIES	BUNDLE PCS QTY	2000 SERIES	BUNDLE PCS QTY	LENGTH
Clear	103114	350	200169	50	145" (3 Meters)
Black	103110	350	200276	50	

Machining Services

ITEM#	SERIES	SERVICE DESCRIPTION
660002	20	Cut to Length
660123		Single Access Hole

* See page 372 & 373 for end caps

TS20-20 M - 20mm x 20mm



Product Information

ITEM#	SERIES	FINISH	MATERIAL	ALLOY	STOCK LENGTH	WEIGHT	ESTIMATED AREA	MOMENT OF INERTIA	DROP LOCK
650045	20	Clear Anodize	Aluminum	6560-T6	Per inch / Max 240" (6 Meters)	.335 lbs/ft	.279 in ²	I _x = .017 in ⁴ I _y = .017 in ⁴	No
650145		Black Anodize							
650245		Yellow Powder Coat			Per Inch / 145" (3.6 Meters)				

Bulk Information

FINISH	1000 SERIES	BUNDLE PCS QTY	2000 SERIES	BUNDLE PCS QTY	LENGTH
Clear	100079	150	200079	50	239" (6 Meters)
Black	103111	150	200170	50	

Machining Services

ITEM#	SERIES	SERVICE DESCRIPTION
660002	20	Cut to Length
660123		Single Access Hole
660124		Tap M5

End Cap

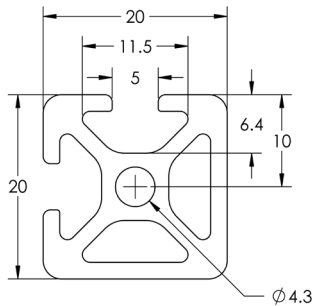
ITEM#	COLOR	STYLE
671734	Black	Blank

* See page 372 & 373 for end caps

Metric Extrusions

20 SERIES

TS20-20 M BIADJ - 20mm x 20mm Bi Slot Adjacent



Product Information

ITEM#	SERIES	FINISH	MATERIAL	ALLOY	STOCK LENGTH	WEIGHT	ESTIMATED AREA	MOMENT OF INERTIA	DROP LOCK
650049	20	Clear Anodize	Aluminum	6560-T6	Per inch / Max 240" (6 Meters)	.362 lbs/ft	.302 in ²	I _x = .020 in ⁴ I _y = .020 in ⁴	No
650149		Black Anodize							

Bulk Information

FINISH	1000 SERIES	BUNDLE PCS QTY	2000 SERIES	BUNDLE PCS QTY	LENGTH
Clear	102976	150	200171	50	240" (6 Meters)
Black	102977	150	200172	50	

Machining Services

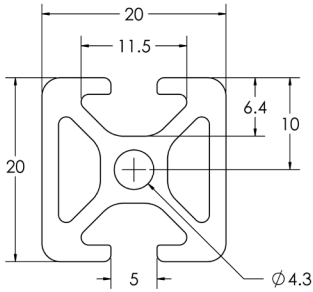
ITEM#	SERIES	SERVICE DESCRIPTION
660002	20	Cut to Length
660123		Single Access Hole
660124		Tap M5

End Cap

ITEM#	COLOR	STYLE
671734	Black	Blank

* See page 372 & 373 for end caps

TS20-20 M BIOPP - 20mm x 20mm Bi Slot Opposite



Product Information

ITEM#	SERIES	FINISH	MATERIAL	ALLOY	STOCK LENGTH	WEIGHT	ESTIMATED AREA	MOMENT OF INERTIA	DROP LOCK
650050	20	Clear Anodize	Aluminum	6560-T6	Per inch / Max 240" (6 Meters)	.362 lbs/ft	.302 in ²	I _x = .020 in ⁴ I _y = .020 in ⁴	No
650150		Black Anodize							

Bulk Information

FINISH	1000 SERIES	BUNDLE PCS QTY	2000 SERIES	BUNDLE PCS QTY	LENGTH
Clear	102978	150	200174	50	240" (6 Meters)
Black	102979	150	200175	50	

Machining Services

ITEM#	SERIES	SERVICE DESCRIPTION
660002	20	Cut to Length
660123		Single Access Hole
660124		Tap M5

End Cap

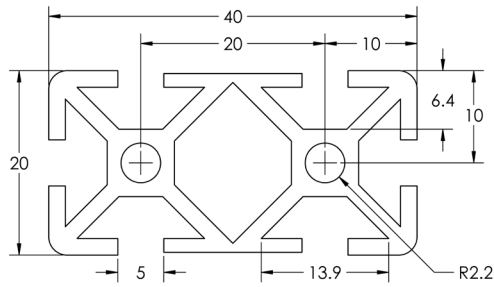
ITEM#	COLOR	STYLE
671734	Black	Blank

* See page 372 & 373 for end caps

Metric Extrusions

20 SERIES

TS20-40 M - 20mm x 40mm

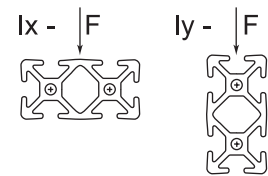


Product Information

ITEM#	SERIES	FINISH	MATERIAL	ALLOY	STOCK LENGTH	WEIGHT	ESTIMATED AREA	MOMENT OF INERTIA	DROP LOCK
650046	20	Clear Anodize	Aluminum	6560-T6	Per inch / Max 240" (6 Meters)	.606 lbs/ft	.505 in ²	I _x = .031 in ⁴ I _y = .121 in ⁴	No
650146		Black Anodize							

Bulk Information

FINISH	1000 SERIES	BUNDLE PCS QTY	2000 SERIES	BUNDLE PCS QTY	LENGTH
Clear	102980	120	200088	48	240" (6 Meters)
Black	102981	120	200176	48	



Machining Services

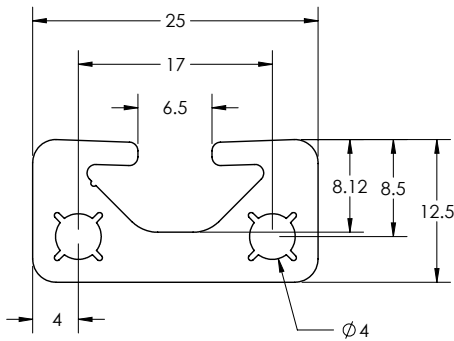
ITEM#	SERIES	SERVICE DESCRIPTION
660000	20	Cut to Length
660123		Single Access Hole
660189		Tap M5

End Cap

ITEM#	COLOR	STYLE
671735	Black	Blank

* See page 372 & 373 for end caps

TS25-12.5 M - 20mm x 12.5mm



Product Information

ITEM#	SERIES	FINISH	MATERIAL	ALLOY	STOCK LENGTH	WEIGHT	ESTIMATED AREA	MOMENT OF INERTIA	DROP LOCK
650023	25	Clear Anodize	Aluminum	6560-T6	Per inch / Max 145" (3.6 Meters)	.366 lbs/ft	.305 in ²	I _x = .007 in ⁴ I _y = .030 in ⁴	2°
650123		Black Anodize							

Bulk Information

FINISH	1000 SERIES	BUNDLE PCS QTY	2000 SERIES	BUNDLE PCS QTY	LENGTH
Clear	102651	120	200168	50	145" (3.6 Meters)
Black	103076	120	200167	50	

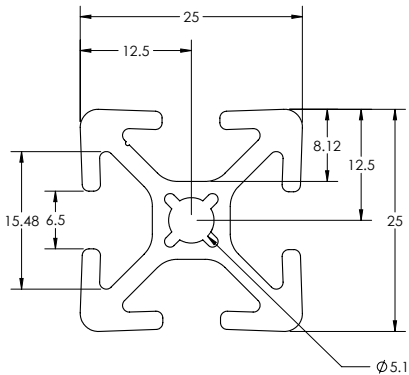
Machining Services

ITEM#	SERIES	SERVICE DESCRIPTION
660002	25	Cut to Length
660123		Single Access Hole

Metric Extrusions

25 SERIES

TS25-25 M - 25mm x 25mm



Product Information

ITEM#	SERIES	FINISH	MATERIAL	ALLOY	STOCK LENGTH	WEIGHT	ESTIMATED AREA	MOMENT OF INERTIA	DROP LOCK
650025	25	Clear Anodize	Aluminum	6560-T6	Per inch / Max 240" (6 Meters)	.483 lbs/ft	.403 in ²	I _x = .041 in ⁴ I _y = .041 in ⁴	2°
650125		Black Anodize							

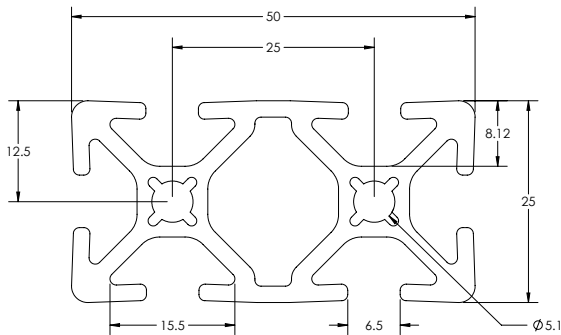
Bulk Information

FINISH	1000 SERIES	BUNDLE PCS QTY	2000 SERIES	BUNDLE PCS QTY	LENGTH
Clear	102647	120	200105	50	240" (6 Meters)
Black	102986	120	200165	50	

Machining Services

ITEM#	SERIES	SERVICE DESCRIPTION
660002	25	Cut to Length
660029		Single Access Hole
660036		Tap M6

TS25-50 M - 25mm x 50mm

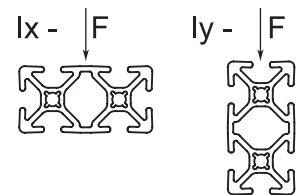


Product Information

ITEM#	SERIES	FINISH	MATERIAL	ALLOY	STOCK LENGTH	WEIGHT	ESTIMATED AREA	MOMENT OF INERTIA	DROP LOCK
650026	25	Clear Anodize	Aluminum	6560-T6	Per inch / Max 240" (6 Meters)	.858 lbs/ft	.715 in ²	I _x = .075 in ⁴ I _y = .277 in ⁴	2°
650126		Black Anodize							

Bulk Information

FINISH	1000 SERIES	BUNDLE PCS QTY	2000 SERIES	BUNDLE PCS QTY	LENGTH
Clear	102648	80	200106	48	240" (6 Meters)
Black	102985	80	200166	48	



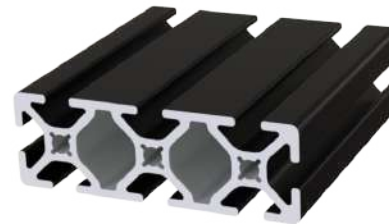
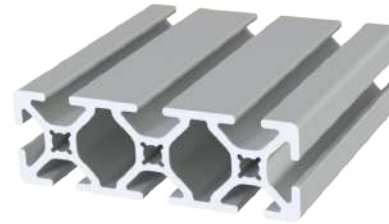
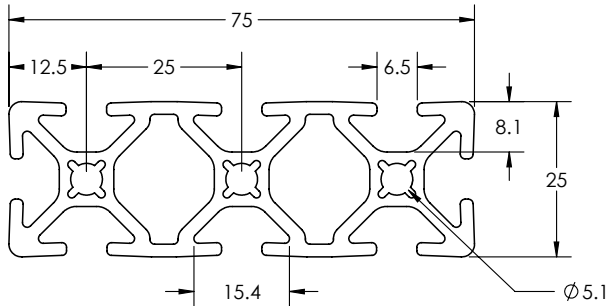
Machining Services

ITEM#	SERIES	SERVICE DESCRIPTION
660000	25	Cut to Length
660029		Single Access Hole
660026		Tap M6

Metric Extrusions

25 SERIES

TS25-75 M - 25mm x 75mm

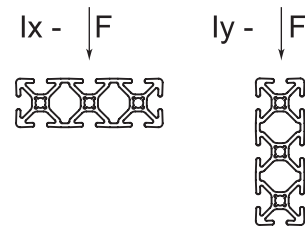


Product Information

ITEM#	SERIES	FINISH	MATERIAL	ALLOY	STOCK LENGTH	WEIGHT	ESTIMATED AREA	MOMENT OF INERTIA	DROP LOCK
650024	25	Clear Anodize	Aluminum	6560-T6	Per inch / Max 240" (6 Meters)	1.232 lbs/ft	1.027 in ²	I _x = .109 in ⁴ I _y = .858 in ⁴	2°
650124		Black Anodize							

Bulk Information

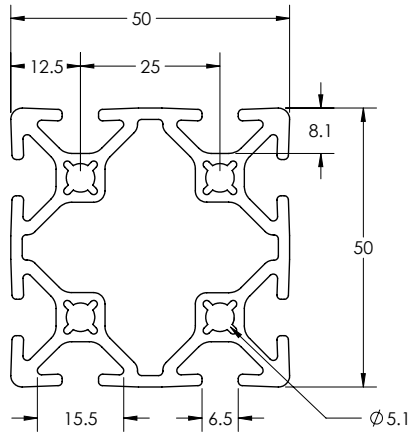
FINISH	1000 SERIES	BUNDLE PCS QTY	2000 SERIES	BUNDLE PCS QTY	LENGTH
Clear	102649	50	200108	24	240" (6 Meters)
Black	102983	50	200277	24	



Machining Services

ITEM#	SERIES	SERVICE DESCRIPTION
660001	25	Cut to Length
660029		Single Access Hole
660017		Tap M6

TS50-50 M - 50mm x 50mm



Product Information

ITEM#	SERIES	FINISH	MATERIAL	ALLOY	STOCK LENGTH	WEIGHT	ESTIMATED AREA	MOMENT OF INERTIA	DROP LOCK
650028	25	Clear Anodize	Aluminum	6560-T6	Per inch / Max 240" (6 Meters)	1.319 lbs/ft	1.099 in ²	I _x = .489 in ⁴ I _y = .489 in ⁴	2°
650128		Black Anodize							

Bulk Information

FINISH	1000 SERIES	BUNDLE PCS QTY	2000 SERIES	BUNDLE PCS QTY	LENGTH
Clear	102650	50	200107	24	240" (6 Meters)
Black	102982	50	200278	24	

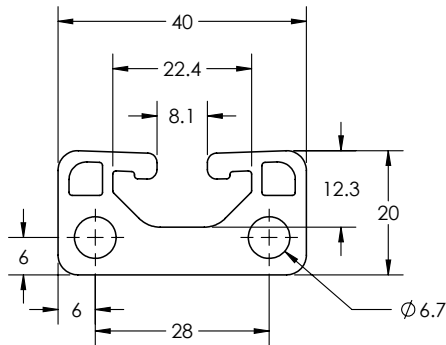
Machining Services

ITEM#	SERIES	SERVICE DESCRIPTION
660004	25	Cut to Length
660029		Single Access Hole
660040		Tap M6

Metric Extrusions

40 SERIES

TS40-20 M - 40mm x 20mm



Product Information

ITEM#	SERIES	FINISH	MATERIAL	ALLOY	STOCK LENGTH	WEIGHT	ESTIMATED AREA	MOMENT OF INERTIA	DROP LOCK
650053	40	Clear Anodize	Aluminum	6560-T6	Per inch / Max 145" (3.6 Meters)	.879 lbs/ft	.733 in ²	I _x = .042 in ⁴ I _y = .170 in ⁴	2°
650153		Black Anodize							

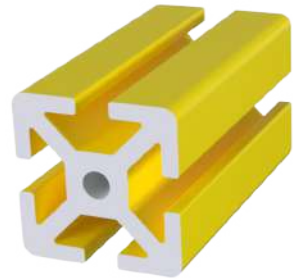
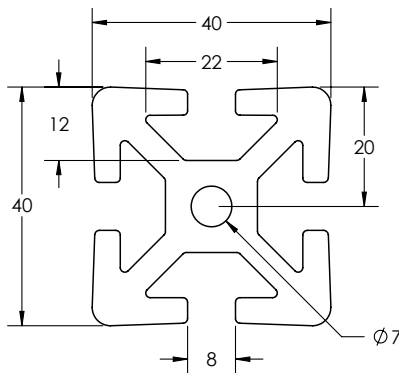
Bulk Information

FINISH	1000 SERIES	BUNDLE PCS QTY	2000 SERIES	BUNDLE PCS QTY	LENGTH
Clear	102993	100	200231	50	145" (3.6 Meters)
Black	102992	100	200288	50	

Machining Services

ITEM#	SERIES	SERVICE DESCRIPTION
660003	25	Cut to Length
660028		Single Access Hole
660020		Single Anchor Fastener
660027		Tap M8

TS40-40 M - 40mm x 40mm



Product Information

ITEM#	SERIES	FINISH	MATERIAL	ALLOY	STOCK LENGTH	WEIGHT	ESTIMATED AREA	MOMENT OF INERTIA	DROP LOCK
650032	40	Clear Anodize	Aluminum	6560-T6	Per inch / Max 240" (6 Meters)	1.533 lbs/ft	1.309 in ²	I _x = .314 in ⁴ I _y = .314 in ⁴	2°
650132		Black Anodize							
650232		Yellow Powder Coat			Per Inch / 144" (3.6 Meters)				

Bulk Information

FINISH	1000 SERIES	BUNDLE PCS QTY	2000 SERIES	BUNDLE PCS QTY	LENGTH
Clear	100040	60	200040	33	240" (6 Meters)
Black	100102	60	200102	33	

Machining Services

ITEM#	SERIES	SERVICE DESCRIPTION
660003	40	Cut to Length
660028		Single Access Hole
660020		Single Anchor Fastener
660034		Tap 5/16-18
660033		Tap M8

End Cap

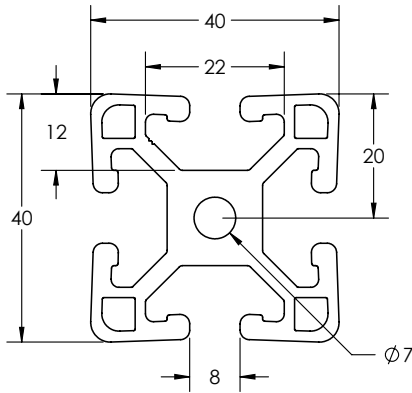
ITEM#	COLOR	STYLE
659054	Black	Blank

* See page 372 & 373 for end caps

Metric Extrusions

40 SERIES

TS40-40 LM - 40mm x 40mm Lite



Product Information

ITEM#	SERIES	FINISH	MATERIAL	ALLOY	STOCK LENGTH	WEIGHT	ESTIMATED AREA	MOMENT OF INERTIA	DROP LOCK
650033	40	Clear Anodize	Aluminum	6560-T6	Per inch / Max 240" (6 Meters)	1.242 lbs/ft	1.050 in ²	I _x = .236 in ⁴ I _y = .236 in ⁴	2°
650133		Black Anodize							
650233		Yellow Powder Coat			Per Inch / 144" (3.6 Meters)				

Bulk Information

FINISH	1000 SERIES	BUNDLE PCS QTY	2000 SERIES	BUNDLE PCS QTY	LENGTH
Clear	100017	72	200017	33	240" (6 Meters)
Black	100103	72	200025	33	

Machining Services

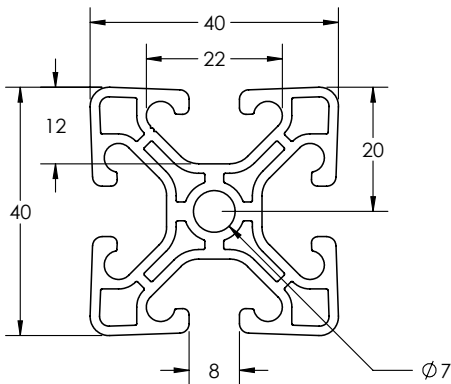
ITEM#	SERIES	SERVICE DESCRIPTION
660003	40	Cut to Length
660028		Single Access Hole
660020		Single Anchor Fastener
660034		Tap 5/16-18
660033		Tap M8

End Cap

ITEM#	COLOR	STYLE
659054	Black	Blank

* See page 372 & 373 for end caps

TS40-40 VLM - 40mm x 40mm Very Lite



Product Information

ITEM#	SERIES	FINISH	MATERIAL	ALLOY	STOCK LENGTH	WEIGHT	ESTIMATED AREA	MOMENT OF INERTIA	DROP LOCK
650034	40	Clear Anodize	Aluminum	6560-T6	Per inch / Max 240" (6 Meters)	1.020 lbs/ft	.836 in ²	I _x = 1.972 in ⁴ I _y = 1.972 in ⁴	2°
650134		Black Anodize							

Bulk Information

FINISH	1000 SERIES	BUNDLE PCS QTY	2000 SERIES	BUNDLE PCS QTY	LENGTH
Clear	100001	84	200001	33	240" (6 Meters)
Black	101001	84	200233	33	

Machining Services

ITEM#	SERIES	SERVICE DESCRIPTION
660003	40	Cut to Length
660028		Single Access Hole
660020		Single Anchor Fastener
660034		Tap 5/16-18
660033		Tap M8

End Cap

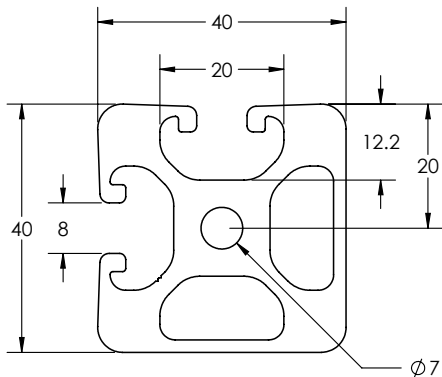
ITEM#	COLOR	STYLE
659054	Black	Blank

* See page 372 & 373 for end caps

Metric Extrusions

40 SERIES

TS40-40 M BIADJ - 40mm x 40mm Bi Slot Adjacent



Product Information

ITEM#	SERIES	FINISH	MATERIAL	ALLOY	STOCK LENGTH	WEIGHT	ESTIMATED AREA	MOMENT OF INERTIA	DROP LOCK
650055	40	Clear Anodize	Aluminum	6560-T6	Per inch / Max 240" (6 Meters)	1.471 lbs/ft	1.257 in ²	I _x = .307 in ⁴ I _y = .307 in ⁴	2°
650155		Black Anodize							

Bulk Information

FINISH	1000 SERIES	BUNDLE PCS QTY	2000 SERIES	BUNDLE PCS QTY	LENGTH
Clear	102996	72	200177	33	240" (6 Meters)
Black	102997	72	200290	33	

Machining Services

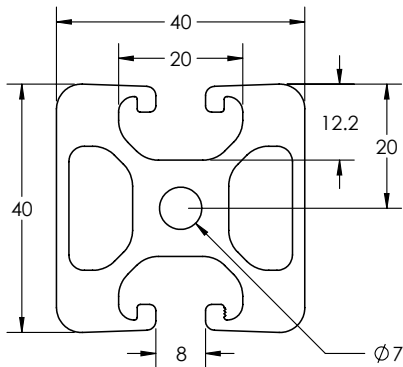
ITEM#	SERIES	SERVICE DESCRIPTION
660003	40	Cut to Length
660028		Single Access Hole
660020		Single Anchor Fastener
660034		Tap 5/16-18
660033		Tap M8

End Cap

ITEM#	COLOR	STYLE
659054	Black	Blank

* See page 372 & 373 for end caps

TS40-40 M BIOPP - 40mm x 40mm Bi Slot Opposite

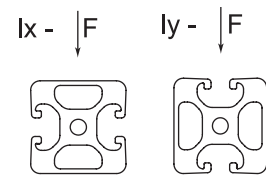


Product Information

ITEM#	SERIES	FINISH	MATERIAL	ALLOY	STOCK LENGTH	WEIGHT	ESTIMATED AREA	MOMENT OF INERTIA	DROP LOCK
650054	40	Clear Anodize	Aluminum	6560-T6	Per inch / Max 240" (6 Meters)	1.472 lbs/ft	1.257 in ²	I _x = .298 in ⁴ I _y = .317 in ⁴	2°
650154		Black Anodize							

Bulk Information

FINISH	1000 SERIES	BUNDLE PCS QTY	2000 SERIES	BUNDLE PCS QTY	LENGTH
Clear	102998	72	200178	33	240" (6 Meters)
Black	102999	72	200291	33	



Machining Services

ITEM#	SERIES	SERVICE DESCRIPTION
660003	40	Cut to Length
660028		Single Access Hole
660020		Single Anchor Fastener
660034		Tap 5/16-18
660033		Tap M8

End Cap

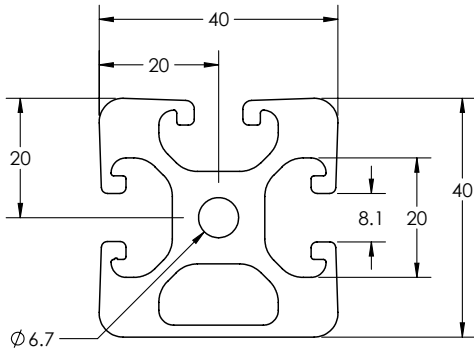
ITEM#	COLOR	STYLE
659054	Black	Blank

* See page 372 & 373 for end caps

Metric Extrusions

40 SERIES

TS40-40 M TRI - 40mm x 40mm Tri Slot

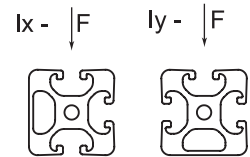


Product Information

ITEM#	SERIES	FINISH	MATERIAL	ALLOY	STOCK LENGTH	WEIGHT	ESTIMATED AREA	MOMENT OF INERTIA	DROP LOCK
650079	40	Clear Anodize	Aluminum	6560-T6	Per inch / Max 240" (6 Meters)	1.496 lbs/ft	1.247 in ²	I _x = .298 in ⁴ I _y = .307 in ⁴	2°
650179		Black Anodize							

Bulk Information

FINISH	1000 SERIES	BUNDLE PCS QTY	2000 SERIES	BUNDLE PCS QTY	LENGTH
Clear	103000	72	200179	33	240" (6 Meters)
Black	103001	72	200180	33	



Machining Services

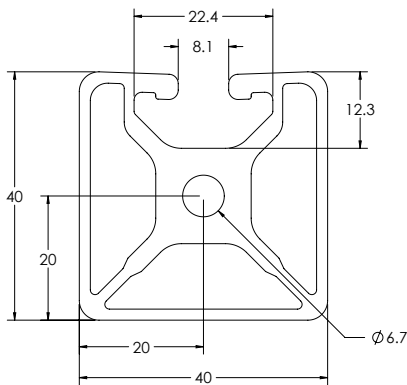
ITEM#	SERIES	SERVICE DESCRIPTION
660003	40	Cut to Length
660028		Single Access Hole
660020		Single Anchor Fastener
660034		Tap 5/16-18
660033		Tap M8

End Cap

ITEM#	COLOR	STYLE
659054	Black	Blank

* See page 372 & 373 for end caps

TS40-40 LM MONO - 40mm x 40mm Lite Mono Slot

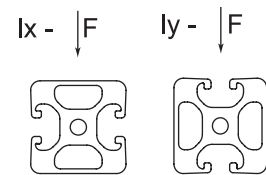


Product Information

ITEM#	SERIES	FINISH	MATERIAL	ALLOY	STOCK LENGTH	WEIGHT	ESTIMATED AREA	MOMENT OF INERTIA	DROP LOCK
650059	40	Clear Anodize	Aluminum	6560-T6	Per inch / Max 240" (6 Meters)	1.145 lbs/ft	.954 in ²	I _x = .216 in ⁴ I _y = .212 in ⁴	2°
650159		Black Anodize							

Bulk Information

FINISH	1000 SERIES	BUNDLE PCS QTY	2000 SERIES	BUNDLE PCS QTY	LENGTH
Clear	103077	72	200181	33	240" (6 Meters)
Black	103079	72	200292	33	



Machining Services

ITEM#	SERIES	SERVICE DESCRIPTION
660003	40	Cut to Length
660028		Single Access Hole
660020		Single Anchor Fastener
660034		Tap 5/16-18
660033		Tap M8

End Cap

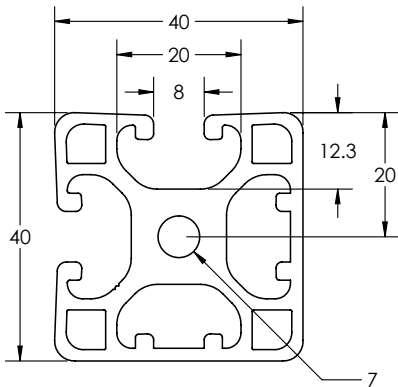
ITEM#	COLOR	STYLE
659054	Black	Blank

* See page 372 & 373 for end caps

Metric Extrusions

40 SERIES

TS40-40 LM BIADJ - 40mm x 40mm Lite Bi Slot Adjacent



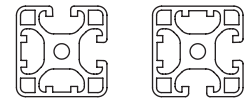
Product Information

ITEM#	SERIES	FINISH	MATERIAL	ALLOY	STOCK LENGTH	WEIGHT	ESTIMATED AREA	MOMENT OF INERTIA	DROP LOCK
650052	40	Clear Anodize	Aluminum	6560-T6	Per inch / Max 240" (6 Meters)	1.265 lbs/ft	1.057 in ²	I _x = .214 in ⁴ I _y = .231 in ⁴	2°
650152		Black Anodize							

Bulk Information

FINISH	1000 SERIES	BUNDLE PCS QTY	2000 SERIES	BUNDLE PCS QTY	LENGTH
Clear	103081	72	200182	33	240" (6 Meters)
Black	103082	72	200183	33	

I_x - ↓ F I_y - ↓ F



Machining Services

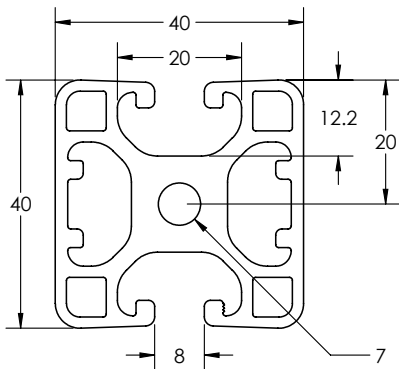
ITEM#	SERIES	SERVICE DESCRIPTION
660003	40	Cut to Length
660028		Single Access Hole
660020		Single Anchor Fastener
660034		Tap 5/16-18
660033		Tap M8

End Cap

ITEM#	COLOR	STYLE
659054	Black	Blank

* See page 372 & 373 for end caps

TS40-40 LM BIOPP - 40mm x 40mm Lite Bi Slot Opposite

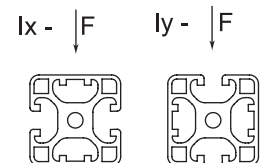


Product Information

ITEM#	SERIES	FINISH	MATERIAL	ALLOY	STOCK LENGTH	WEIGHT	ESTIMATED AREA	MOMENT OF INERTIA	DROP LOCK
650051	40	Clear Anodize	Aluminum	6560-T6	Per inch / Max 240" (6 Meters)	1.267 lbs/ft	1.267 in ²	I _x = .214 in ⁴ I _y = .250 in ⁴	2°
650151		Black Anodize							

Bulk Information

FINISH	1000 SERIES	BUNDLE PCS QTY	2000 SERIES	BUNDLE PCS QTY	LENGTH
Clear	100020	72	200184	33	240" (6 Meters)
Black	103083	72	200185	33	



Machining Services

ITEM#	SERIES	SERVICE DESCRIPTION
660003	40	Cut to Length
660028		Single Access Hole
660020		Single Anchor Fastener
660034		Tap 5/16-18
660033		Tap M8

End Cap

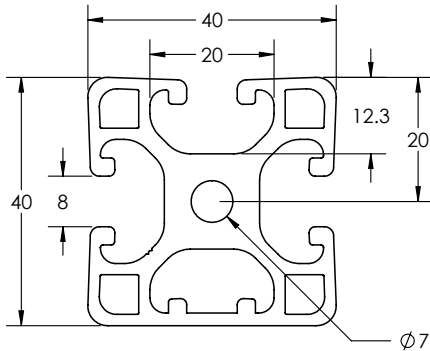
ITEM#	COLOR	STYLE
659054	Black	Blank

* See page 372 & 373 for end caps

Metric Extrusions

40 SERIES

TS40-40 LM TRI - 40mm x 40mm Lite Tri Slot

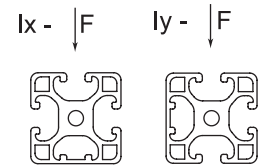


Product Information

ITEM#	SERIES	FINISH	MATERIAL	ALLOY	STOCK LENGTH	WEIGHT	ESTIMATED AREA	MOMENT OF INERTIA	DROP LOCK
650056	40	Clear Anodize	Aluminum	6560-T6	Per inch / Max 240" (6 Meters)	1.228 lbs/ft	1.023 in ²	I _x = .217 in ⁴ I _y = .235 in ⁴	2°
650156		Black Anodize							

Bulk Information

FINISH	1000 SERIES	BUNDLE PCS QTY	2000 SERIES	BUNDLE PCS QTY	LENGTH
Clear	103084	72	200182	33	240" (6 Meters)
Black	103085	72	200183	33	



Machining Services

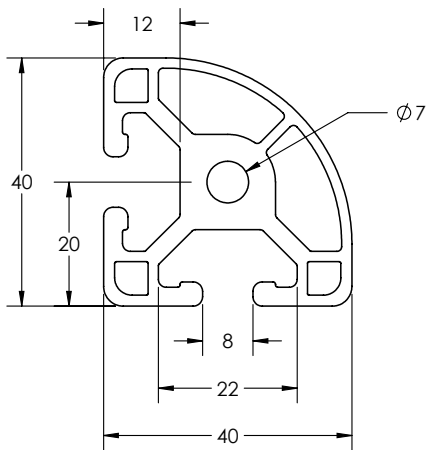
ITEM#	SERIES	SERVICE DESCRIPTION
660003	40	Cut to Length
660028		Single Access Hole
660020		Single Anchor Fastener
660034		Tap 5/16-18
660033		Tap M8

End Cap

ITEM#	COLOR	STYLE
659054	Black	Blank

* See page 372 & 373 for end caps

TS40-40 M QR - 40mm x 40mm Quarter Round



Product Information

ITEM#	SERIES	FINISH	MATERIAL	ALLOY	STOCK LENGTH	WEIGHT	ESTIMATED AREA	MOMENT OF INERTIA	DROP LOCK
640005	40	Clear Anodize	Aluminum	6560-T6	Per inch / Max 240" (6 Meters)	1.079 lbs/ft	.899 in ²	ix = .182 in ⁴ ly = .182 in ⁴	2°

Bulk Information

FINISH	1000 SERIES	BUNDLE PCS QTY	2000 SERIES	BUNDLE PCS QTY	LENGTH
Clear	103251	90	200338	33	240" (6 Meters)

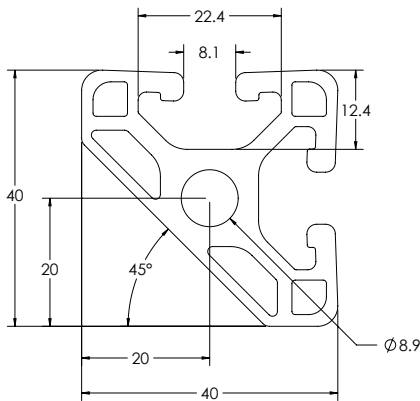
Machining Services

ITEM#	SERIES	SERVICE DESCRIPTION
660003	40	Cut to Length
660028		Single Access Hole
660020		Single Anchor Fastener
660034		Tap 5/16-18
660033		Tap M8

Metric Extrusions

40 SERIES

TS40-40 LM 45 BISLOT - 40mm x 40mm 45 Degree Bi Slot



Product Information

ITEM#	SERIES	FINISH	MATERIAL	ALLOY	STOCK LENGTH	WEIGHT	ESTIMATED AREA	MOMENT OF INERTIA	DROP LOCK
650058	40	Clear Anodize	Aluminum	6560-T6	Per inch / Max 240" (6 Meters)	1.058 lbs/ft	.885 in ²	I _x = .166 in ⁴ I _y = .166 in ⁴	2°
650158		Black Anodize							

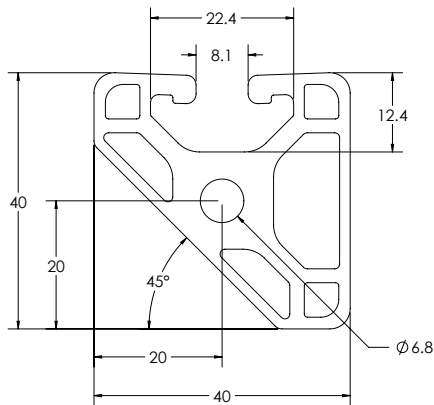
Bulk Information

FINISH	1000 SERIES	BUNDLE PCS QTY	2000 SERIES	BUNDLE PCS QTY	LENGTH
Clear	100041	96	200191	33	240" (6 Meters)
Black	103090	96	200295	33	

Machining Services

ITEM#	SERIES	SERVICE DESCRIPTION
660003	40	Cut to Length
660028		Single Access Hole
660020		Single Anchor Fastener
660034		Tap 5/16-18
660033		Tap M8

TS40-40 LM 45 MONO - 40mm x 40mm Lite 45 Degree Mono Slot



Product Information

ITEM#	SERIES	FINISH	MATERIAL	ALLOY	STOCK LENGTH	WEIGHT	ESTIMATED AREA	MOMENT OF INERTIA	DROP LOCK
650057	40	Clear Anodize	Aluminum	6560-T6	Per inch / Max 240" (6 Meters)	1.058 lbs/ft	.881 in ²	I _x = .166 in ⁴ I _y = .166 in ⁴	2°
650157		Black Anodize							

Bulk Information

FINISH	1000 SERIES	BUNDLE PCS QTY	2000 SERIES	BUNDLE PCS QTY	LENGTH
Clear	103088	96	200190	33	240" (6 Meters)
Black	103089	96	200294	33	

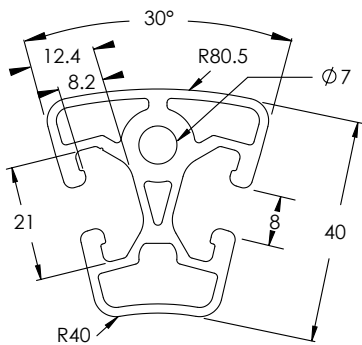
Machining Services

ITEM#	SERIES	SERVICE DESCRIPTION
660003	40	Cut to Length
660028		Single Access Hole
660020		Single Anchor Fastener
660034		Tap 5/16-18
660033		Tap M8

Metric Extrusions

40 SERIES

TS40-40 M 30 DEG - 40mm x 40mm 30 Degree

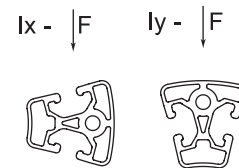


Product Information

ITEM#	SERIES	FINISH	MATERIAL	ALLOY	STOCK LENGTH	WEIGHT	ESTIMATED AREA	MOMENT OF INERTIA	DROP LOCK
650074	40	Clear Anodize	Aluminum	6560-T6	Per inch / Max 240" (6 Meters)	.892 lbs/ft	.743 in ²	I _x = .114 in ⁴ I _y = .165 in ⁴	2°
650174		Black Anodize							

Bulk Information

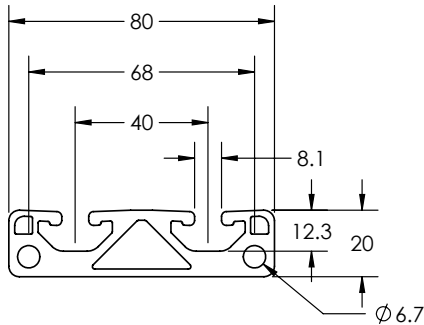
FINISH	1000 SERIES	BUNDLE PCS QTY	2000 SERIES	BUNDLE PCS QTY	LENGTH
Clear	103086	84	200189	33	240" (6 Meters)
Black	103087	84	200293	33	



Machining Services

ITEM#	SERIES	SERVICE DESCRIPTION
660003	40	Cut to Length
660034		Tap 5/16-18
660033		Tap M8

TS80-20 M - 80mm x 20mm

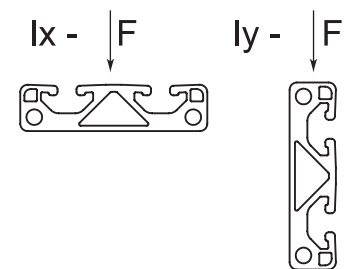


Product Information

ITEM#	SERIES	FINISH	MATERIAL	ALLOY	STOCK LENGTH	WEIGHT	ESTIMATED AREA	MOMENT OF INERTIA	DROP LOCK
650073	40	Clear Anodize	Aluminum	6560-T6	Per inch / Max 145" (3.6 Meters)	1.541 lbs/ft	1.284 in ²	I _x = .084 in ⁴ I _y = 1.232 in ⁴	2°
650173		Black Anodize							

Bulk Information

FINISH	1000 SERIES	BUNDLE PCS QTY	2000 SERIES	BUNDLE PCS QTY	LENGTH
Clear	102994	60	200232	36	145" (3.6 Meters)
Black	102995	60	200289	36	



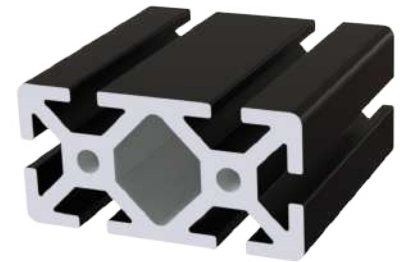
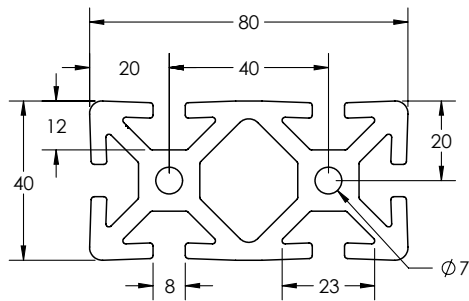
Machining Services

ITEM#	SERIES	SERVICE DESCRIPTION
660006	40	Cut to Length
660028		Single Access Hole
660020		Single Anchor Fastener
660024		Tap 5/16-18 (Larger Holes)
660027		Tap M8 (Larger Holes)
660182		Tap 3/8-16 (Larger Holes)
660025		Tap 1/4-20 (Smaller Holes)
660026		Tap M6 (Smaller Holes)

Metric Extrusions

40 SERIES

TS40-80 M - 40mm x 80mm

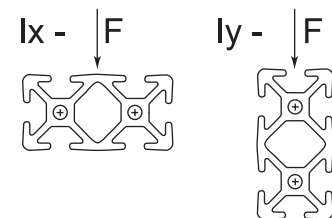


Product Information

ITEM#	SERIES	FINISH	MATERIAL	ALLOY	STOCK LENGTH	WEIGHT	ESTIMATED AREA	MOMENT OF INERTIA	DROP LOCK
650036	40	Clear Anodize	Aluminum	6560-T6	Per inch / Max 240" (6 Meters)	2.851 lbs/ft	2.423 in ²	I _x = .621 in ⁴ I _y = 2.271 in ⁴	2°
650136		Black Anodize							

Bulk Information

FINISH	1000 SERIES	BUNDLE PCS QTY	2000 SERIES	BUNDLE PCS QTY	LENGTH
Clear	100035	36	200035	22	240" (6 Meters)
Black	100104	36	200296	22	



Machining Services

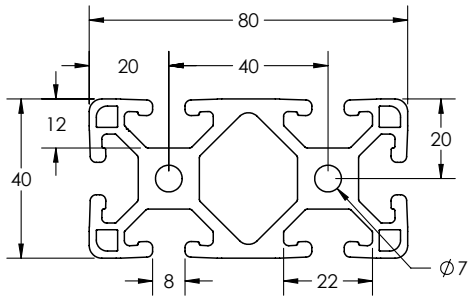
ITEM#	SERIES	SERVICE DESCRIPTION
660006	40	Cut to Length
660028		Single Access Hole
660020		Single Anchor Fastener
660024		Tap 5/16-18
660027		Tap M8

End Cap

ITEM#	COLOR	STYLE
659055	Black	Blank

* See page 372 & 373 for end caps

TS40-80 LM - 40mm x 80mm Lite

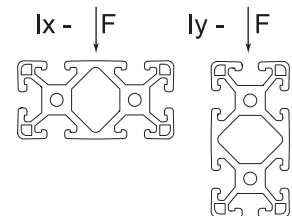


Product Information

ITEM#	SERIES	FINISH	MATERIAL	ALLOY	STOCK LENGTH	WEIGHT	ESTIMATED AREA	MOMENT OF INERTIA	DROP LOCK
650037	40	Clear Anodize	Aluminum	6560-T6	Per inch / Max 240" (6 Meters)	2.352 lbs/ft	2.021 in ²	I _x = .495 in ⁴ I _y = 1.761 in ⁴	2°
650137		Black Anodize							

Bulk Information

FINISH	1000 SERIES	BUNDLE PCS QTY	2000 SERIES	BUNDLE PCS QTY	LENGTH
Clear	100037	42	200021	22	240" (6 Meters)
Black	100092	42	200026	22	



Machining Services

ITEM#	SERIES	SERVICE DESCRIPTION
660006	40	Cut to Length
660028		Single Access Hole
660020		Single Anchor Fastener
660024		Tap 5/16-18
660027		Tap M8

End Cap

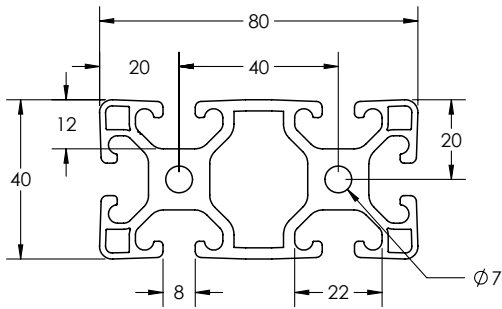
ITEM#	COLOR	STYLE
659055	Black	Blank

* See page 372 & 373 for end caps

Metric Extrusions

40 SERIES

TS40-80 VLM - 40mm x 80mm Very Lite

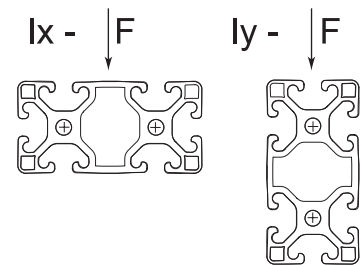


Product Information

ITEM#	SERIES	FINISH	MATERIAL	ALLOY	STOCK LENGTH	WEIGHT	ESTIMATED AREA	MOMENT OF INERTIA	DROP LOCK
650038	40	Clear Anodize	Aluminum	6560-T6	Per inch / Max 240" (6 Meters)	2.082 lbs/ft	1.661 in ²	I _x = .396 in ⁴ I _y = 1.513 in ⁴	2°
650138		Black Anodize							

Bulk Information

FINISH	1000 SERIES	BUNDLE PCS QTY	2000 SERIES	BUNDLE PCS QTY	LENGTH
Clear	100009	42	200024	22	240" (6 Meters)
Black	101009	42	200297	22	



Machining Services

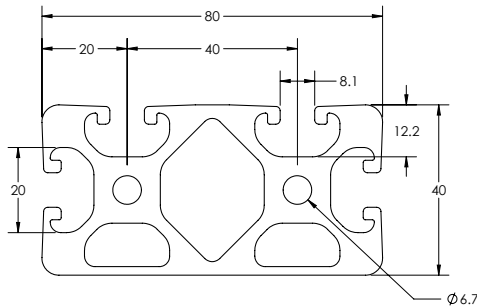
ITEM#	SERIES	SERVICE DESCRIPTION
660006	40	Cut to Length
660028		Single Access Hole
660020		Single Anchor Fastener
660024		Tap 5/16-18
660027		Tap M8

End Cap

ITEM#	COLOR	STYLE
659055	Black	Blank

* See page 372 & 373 for end caps

TS40-80 M TRI 4 SLOT - 40mm x 80mm Tri Side 4 Slot

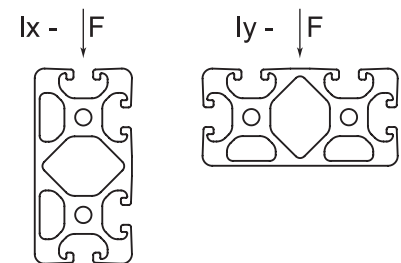


Product Information

ITEM#	SERIES	FINISH	MATERIAL	ALLOY	STOCK LENGTH	WEIGHT	ESTIMATED AREA	MOMENT OF INERTIA	DROP LOCK
650069	40	Clear Anodize	Aluminum	6560-T6	Per inch / Max 240" (6 Meters)	2.672 lbs/ft	2.226 in ²	I _x = .573 in ⁴ I _y = 2.146 in ⁴	2°
650169		Black Anodize							

Bulk Information

FINISH	1000 SERIES	BUNDLE PCS QTY	2000 SERIES	BUNDLE PCS QTY	LENGTH
Clear	103037	36	200300	22	240" (6 Meters)
Black	103038	36	200301	22	



Machining Services

ITEM#	SERIES	SERVICE DESCRIPTION
660006	40	Cut to Length
660028		Single Access Hole
660020		Single Anchor Fastener
660024		Tap 5/16-18
660027		Tap M8

End Cap

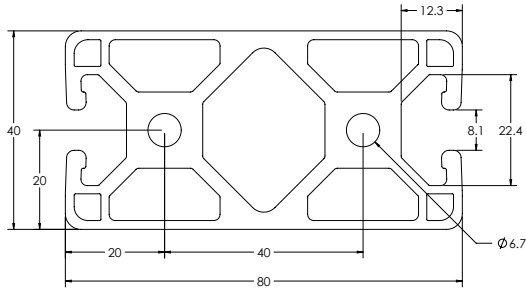
ITEM#	COLOR	STYLE
659055	Black	Blank

* See page 372 & 373 for end caps

Metric Extrusions

40 SERIES

TS40-80 LM BIOPP 2 SLOT - 40mm x 80mm Lite Bi Slot Opposite 2 Slot

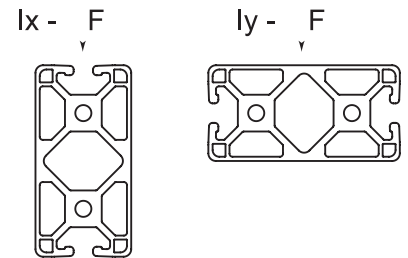


Product Information

ITEM#	SERIES	FINISH	MATERIAL	ALLOY	STOCK LENGTH	WEIGHT	ESTIMATED AREA	MOMENT OF INERTIA	DROP LOCK
650066	40	Clear Anodize	Aluminum	6560-T6	Per inch / Max 240" (6 Meters)	2.303 lbs/ft	1.919 in ²	I _x = .479 in ⁴ I _y = 1.712 in ⁴	2°
650166		Black Anodize							

Bulk Information

FINISH	1000 SERIES	BUNDLE PCS QTY	2000 SERIES	BUNDLE PCS QTY	LENGTH
Clear	103031	42	200234	22	240" (6 Meters)
Black	103033	42	200298	22	



Machining Services

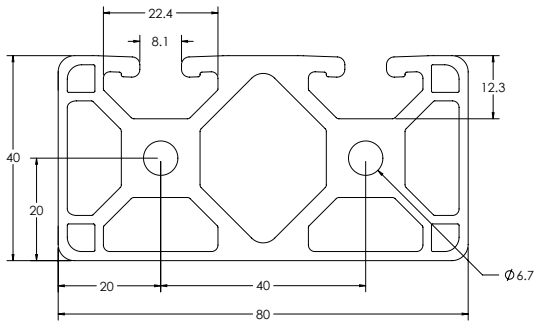
ITEM#	SERIES	SERVICE DESCRIPTION
660006	40	Cut to Length
660028		Single Access Hole
660020		Single Anchor Fastener
660024		Tap 5/16-18
660027		Tap M8

End Cap

ITEM#	COLOR	STYLE
659055	Black	Blank

* See page 372 & 373 for end caps

TS40-80 LM MONO 2 SLOT - 40mm x 80mm Lite Mono Side 2 Slot

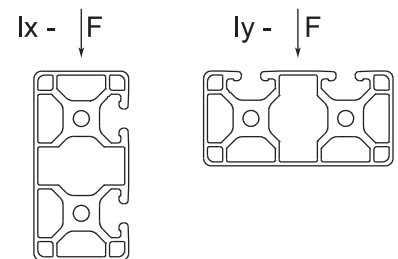


Product Information

ITEM#	SERIES	FINISH	MATERIAL	ALLOY	STOCK LENGTH	WEIGHT	ESTIMATED AREA	MOMENT OF INERTIA	DROP LOCK
650068	40	Clear Anodize	Aluminum	6560-T6	Per inch / Max 240" (6 Meters)	2.028 lbs/ft	1.695 in ²	I _x = .389 in ⁴ I _y = 1.639 in ⁴	2°
650168		Black Anodize							

Bulk Information

FINISH	1000 SERIES	BUNDLE PCS QTY	2000 SERIES	BUNDLE PCS QTY	LENGTH
Clear	103035	42	200235	22	240" (6 Meters)
Black	103036	42	200299	22	



Machining Services

ITEM#	SERIES	SERVICE DESCRIPTION
660006	40	Cut to Length
660028		Single Access Hole
660020		Single Anchor Fastener
660024		Tap 5/16-18
660027		Tap M8

End Cap

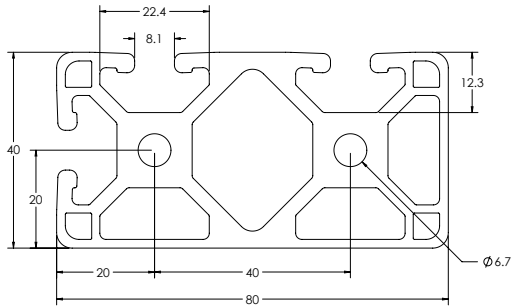
ITEM#	COLOR	STYLE
659055	Black	Blank

* See page 372 & 373 for end caps

Metric Extrusions

40 SERIES

TS40-80 LM BIADJ 3 SLOT - 40mm x 80mm Lite Bi Slot Adjacent 3 Slot

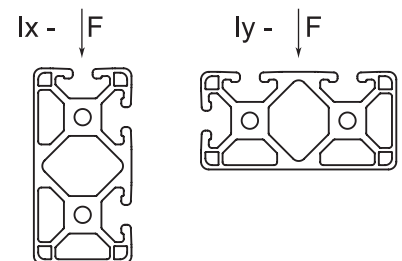


Product Information

ITEM#	SERIES	FINISH	MATERIAL	ALLOY	STOCK LENGTH	WEIGHT	ESTIMATED AREA	MOMENT OF INERTIA	DROP LOCK
650065	40	Clear Anodize	Aluminum	6560-T6	Per inch / Max 240" (6 Meters)	2.318 lbs/ft	1.932 in ²	I _x = .481 in ⁴ I _y = 1.713 in ⁴	2°
650165		Black Anodize							

Bulk Information

FINISH	1000 SERIES	BUNDLE PCS QTY	2000 SERIES	BUNDLE PCS QTY	LENGTH
Clear	102236	42	200103	22	240" (6 Meters)
Black	103043	42	200236	22	



Machining Services

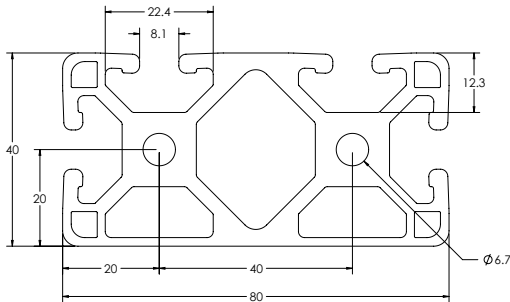
ITEM#	SERIES	SERVICE DESCRIPTION
660006	40	Cut to Length
660028		Single Access Hole
660020		Single Anchor Fastener
660024		Tap 5/16-18
660027		Tap M8

End Cap

ITEM#	COLOR	STYLE
659055	Black	Blank

* See page 372 & 373 for end caps

TS40-80 LM TRI 4 SLOT - 40mm x 80mm Lite Tri Side 4 Slot

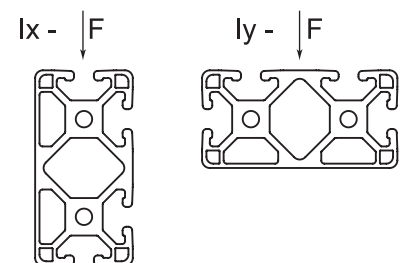


Product Information

ITEM#	SERIES	FINISH	MATERIAL	ALLOY	STOCK LENGTH	WEIGHT	ESTIMATED AREA	MOMENT OF INERTIA	DROP LOCK
650067	40	Clear Anodize	Aluminum	6560-T6	Per inch / Max 240" (6 Meters)	2.333 lbs/ft	1.944 in ²	I _x = .484 in ⁴ I _y = 1.733 in ⁴	2°
650167		Black Anodize							

Bulk Information

FINISH	1000 SERIES	BUNDLE PCS QTY	2000 SERIES	BUNDLE PCS QTY	LENGTH
Clear	100042	42	200101	22	240" (6 Meters)
Black	103044	42	200237	22	



Machining Services

ITEM#	SERIES	SERVICE DESCRIPTION
660006	40	Cut to Length
660028		Single Access Hole
660020		Single Anchor Fastener
660024		Tap 5/16-18
660027		Tap M8

End Cap

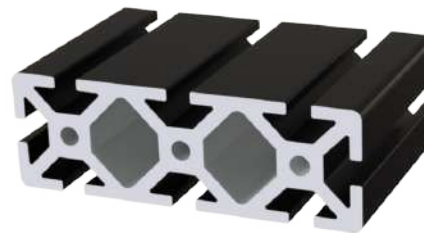
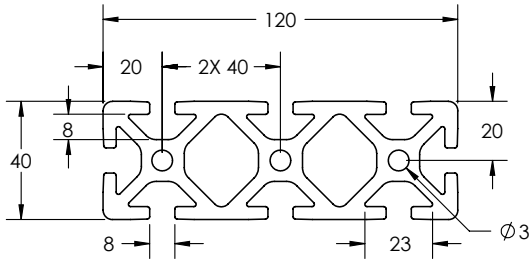
ITEM#	COLOR	STYLE
659055	Black	Blank

* See page 372 & 373 for end caps

Metric Extrusions

40 SERIES

TS40-120 M - 40mm x 120mm

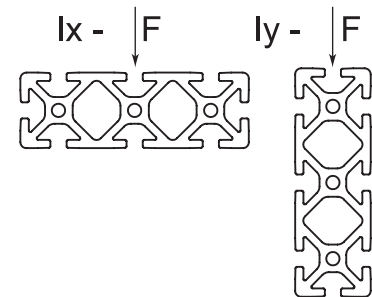


Product Information

ITEM#	SERIES	FINISH	MATERIAL	ALLOY	STOCK LENGTH	WEIGHT	ESTIMATED AREA	MOMENT OF INERTIA	DROP LOCK
650022	40	Clear Anodize	Aluminum	6560-T6	Per inch / Max 240" (6 Meters)	4.130 lbs/ft	3.442 in ²	I _x = .879 in ⁴ I _y = 7.132 in ⁴	2°
650122		Black Anodize							

Bulk Information

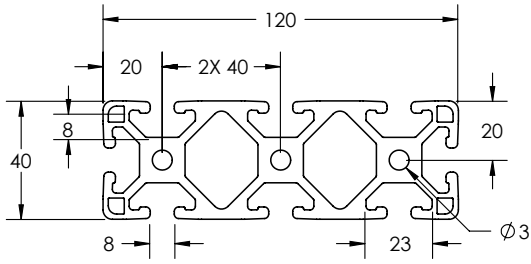
FINISH	1000 SERIES	BUNDLE PCS QTY	2000 SERIES	BUNDLE PCS QTY	LENGTH
Clear	100070	24	200238	12	240" (6 Meters)
Black	100093	24	200239	12	



Machining Services

ITEM#	SERIES	SERVICE DESCRIPTION
660007	40	Cut to Length
660028		Single Access Hole
660020		Single Anchor Fastener
660010		Tap 5/16-18
660011		Tap M8

TS40-120 LM - 40mm x 120mm Lite

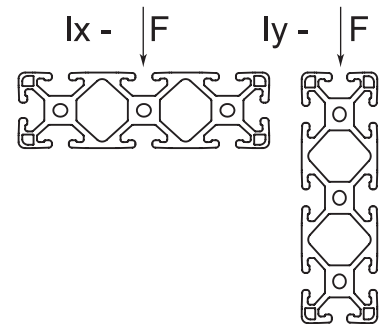


Product Information

ITEM#	SERIES	FINISH	MATERIAL	ALLOY	STOCK LENGTH	WEIGHT	ESTIMATED AREA	MOMENT OF INERTIA	DROP LOCK
650096	40	Clear Anodize	Aluminum	6560-T6	Per inch / Max 240" (6 Meters)	3.486 lbs/ft	2.905 in ²	I _x = .744 in ⁴ I _y = 5.717 in ⁴	2°
650196		Black Anodize							

Bulk Information

FINISH	1000 SERIES	BUNDLE PCS QTY	2000 SERIES	BUNDLE PCS QTY	LENGTH
Clear	101898	27	200023	12	240" (6 Meters)
Black	103041	27	200312	12	



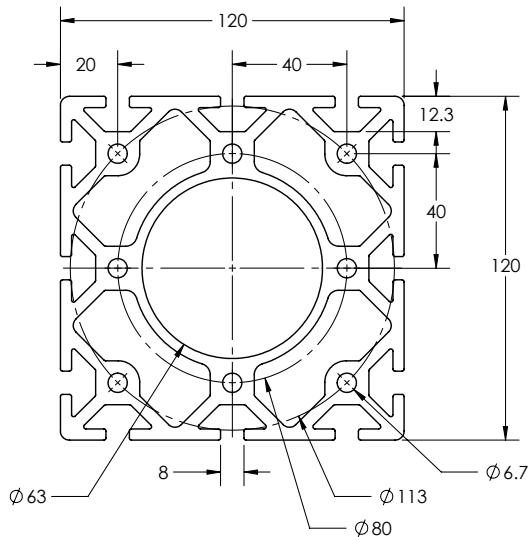
Machining Services

ITEM#	SERIES	SERVICE DESCRIPTION
660007	40	Cut to Length
660028		Single Access Hole
660020		Single Anchor Fastener
660010		Tap 5/16-18
660011		Tap M8

Metric Extrusions

40 SERIES

TS120-120 M - 120mm x 120mm



Product Information

ITEM#	SERIES	FINISH	MATERIAL	ALLOY	STOCK LENGTH	WEIGHT	ESTIMATED AREA	MOMENT OF INERTIA	DROP LOCK
640004	40	Clear Anodize	Aluminum	6560-T6	Per inch / Max 145" (3.66 Meters)	8.832 lbs/ft	7.360 in ²	I _x = 17.983 in ⁴ I _y = 17.983 in ⁴	2°

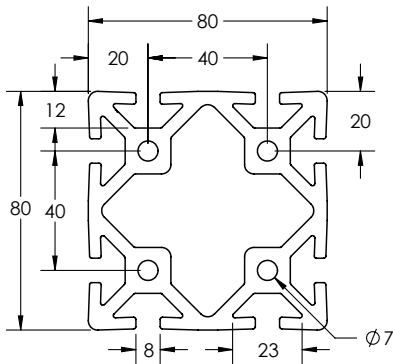
Bulk Information

FINISH	1000 SERIES	BUNDLE PCS QTY	2000 SERIES	BUNDLE PCS QTY	LENGTH
Clear	103250	15	200348	4	145" (3.66 Meters)

Machining Services

ITEM#	SERIES	SERVICE DESCRIPTION
660007	40	Cut to Length
660028		Single Access Hole
660020		Single Anchor Fastener
660010		Tap 5/16-18
660011		Tap M8

TS80-80 M - 80mm x 80mm



Product Information

ITEM#	SERIES	FINISH	MATERIAL	ALLOY	STOCK LENGTH	WEIGHT	ESTIMATED AREA	MOMENT OF INERTIA	DROP LOCK
650039	40	Clear Anodize	Aluminum	6560-T6	Per inch / Max 240" (6 Meters)	4.488 lbs/ft	4.006 in ²	I _x = 4.289 in ⁴ I _y = 4.289 in ⁴	2°
650139		Black Anodize							

Bulk Information

FINISH	1000 SERIES	BUNDLE PCS QTY	2000 SERIES	BUNDLE PCS QTY	LENGTH
Clear	100036	18	200036	15	240" (6 Meters)
Black	100105	18	200240	15	

Machining Services

ITEM#	SERIES	SERVICE DESCRIPTION
660013	40	Cut to Length
660028		Single Access Hole
660020		Single Anchor Fastener
660031		Tap 5/16-18
660032		Tap M8

End Cap

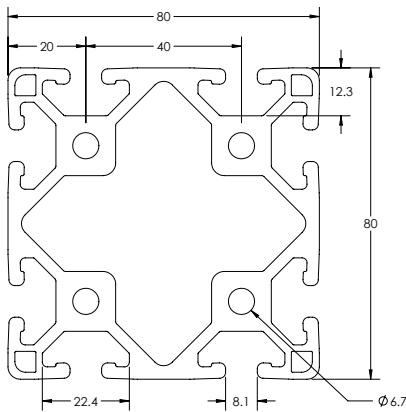
ITEM#	COLOR	STYLE
659057	Black	Blank

* See page 372 & 373 for end caps

Metric Extrusions

40 SERIES

TS80-80 LM - 80mm x 80mm Lite



Product Information

ITEM#	SERIES	FINISH	MATERIAL	ALLOY	STOCK LENGTH	WEIGHT	ESTIMATED AREA	MOMENT OF INERTIA	DROP LOCK
650095	40	Clear Anodize	Aluminum	6560-T6	Per inch / Max 240" (6 Meters)	3.842 lbs/ft	3.201 in ²	I _x = 3.388 in ⁴ I _y = 3.388 in ⁴	2°
650195		Black Anodize							

Bulk Information

FINISH	1000 SERIES	BUNDLE PCS QTY	2000 SERIES	BUNDLE PCS QTY	LENGTH
Clear	101828	24	200022	15	240" (6 Meters)
Black	103040	24	200241	15	

Machining Services

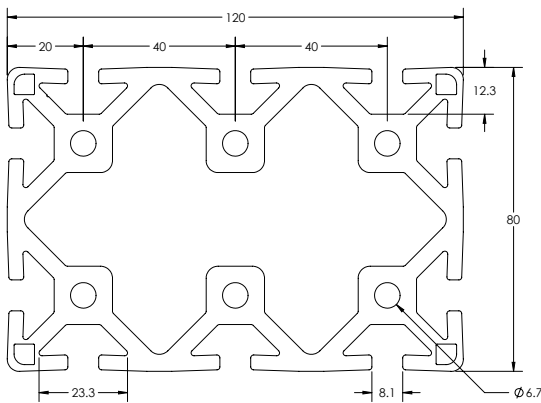
ITEM#	SERIES	SERVICE DESCRIPTION
660013	40	Cut to Length
660028		Single Access Hole
660020		Single Anchor Fastener
660031		Tap 5/16-18
660032		Tap M8

End Cap

ITEM#	COLOR	STYLE
659057	Black	Blank

* See page 372 & 373 for end caps

TS80-120 LM - 80mm x 120mm Lite

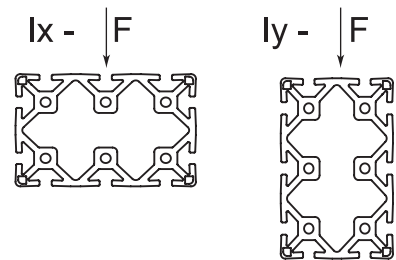


Product Information

ITEM#	SERIES	FINISH	MATERIAL	ALLOY	STOCK LENGTH	WEIGHT	ESTIMATED AREA	MOMENT OF INERTIA	DROP LOCK
650090	40	Clear Anodize	Aluminum	6560-T6	Per inch / Max 240" (6 Meters)	5.922 lbs/ft	4.935 in ²	I _x = .5.590 in ⁴ I _y = 11.406 in ⁴	2°
650190		Black Anodize							

Bulk Information

FINISH	1000 SERIES	BUNDLE PCS QTY	2000 SERIES	BUNDLE PCS QTY	LENGTH
Clear	101829	15	200009	8	240" (6 Meters)
Black	103042	15	200313	8	



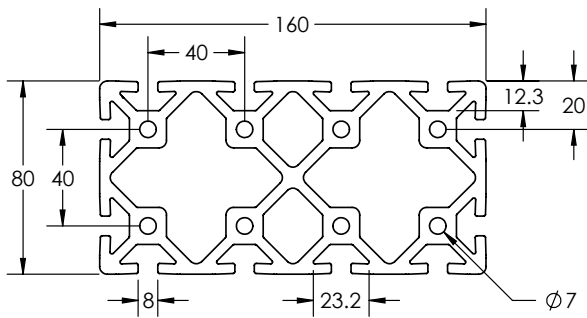
Machining Services

ITEM#	SERIES	SERVICE DESCRIPTION
660231	40	Cut to Length
660028		Single Access Hole
660020		Single Anchor Fastener
660229		Tap 5/16-18
660228		Tap M8

Metric Extrusions

40 SERIES

TS80-160 M - 80mm x 160mm

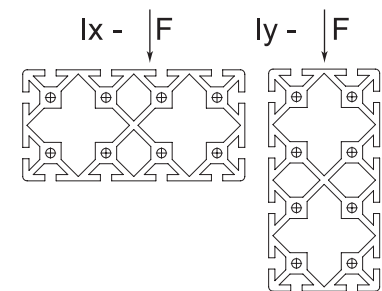


Product Information

ITEM#	SERIES	FINISH	MATERIAL	ALLOY	STOCK LENGTH	WEIGHT	ESTIMATED AREA	MOMENT OF INERTIA	DROP LOCK
650064	40	Clear Anodize	Aluminum	6560-T6	Per inch / Max 145" (3.6 Meters)	8.384 lbs/ft	6.987 in ²	I _x = 7.901 in ⁴ I _y = 26.973 in ⁴	2°
650164		Black Anodize							

Bulk Information

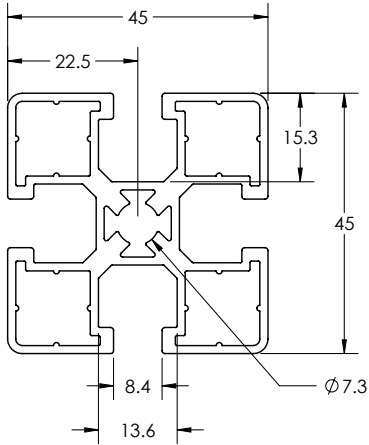
FINISH	1000 SERIES	BUNDLE PCS QTY	2000 SERIES	BUNDLE PCS QTY	LENGTH
Clear	100127	15	200242	5	240" (6 Meters)
Black	101907	15	200314	5	



Machining Services

ITEM#	SERIES	SERVICE DESCRIPTION
660008	40	Cut to Length
660028		Single Access Hole
660020		Single Anchor Fastener
660012		Tap 5/16-18
660014		Tap M8

TS45-45 MT - 45mm x 45mm



Product Information

ITEM#	SERIES	FINISH	MATERIAL	ALLOY	STOCK LENGTH	WEIGHT	ESTIMATED AREA	MOMENT OF INERTIA	DROP LOCK
630000	45	Clear Anodize	Aluminum	6560-T6	Per inch / Max 240" (6 Meters)	.998 lbs/ft	.832 in ²	I _x = 0.236 in ⁴ I _y = 0.236 in ⁴	No

Bulk Information

FINISH	1000 SERIES	BUNDLE PCS QTY	2000 SERIES	BUNDLE PCS QTY	LENGTH
Clear	100094	80	200320	30	240" (6 Meters)

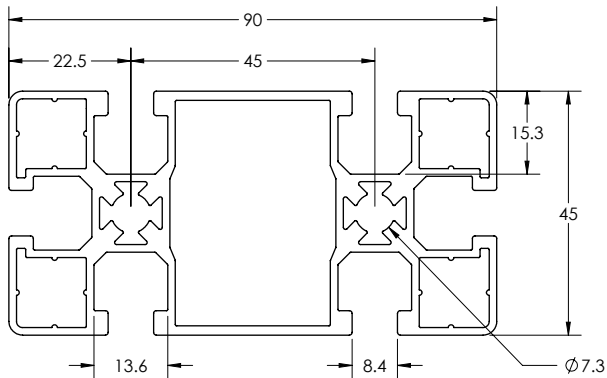
Machining Services

ITEM#	SERIES	SERVICE DESCRIPTION
670504	45	Cut to Length
660235		M8 Forming Tap

MT Extrusions

45 SERIES

TS45-90 MT - 45mm x 90mm

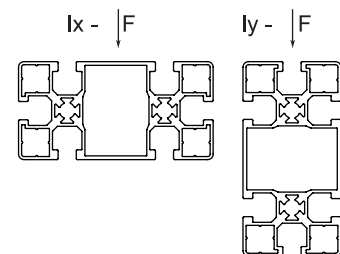


Product Information

ITEM#	SERIES	FINISH	MATERIAL	ALLOY	STOCK LENGTH	WEIGHT	ESTIMATED AREA	MOMENT OF INERTIA	DROP LOCK
630001	45	Clear Anodize	Aluminum	6560-T6	Per inch / Max 240" (6 Meters)	1.693 lbs/ft	1.411 in ²	$I_x = .461 \text{ in}^4$ $I_y = 1.789 \text{ in}^4$	No

Bulk Information

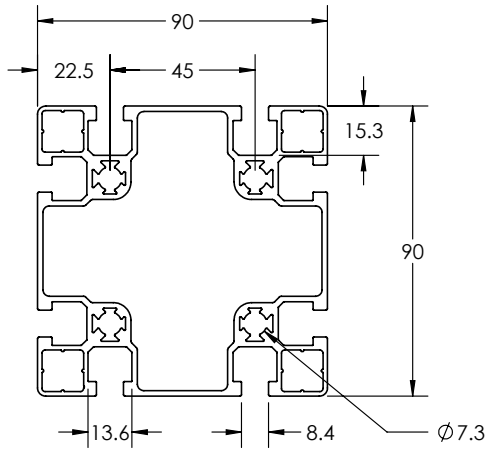
FINISH	1000 SERIES	BUNDLE PCS QTY	2000 SERIES	BUNDLE PCS QTY	LENGTH
Clear	100095	50	200321	20	240" (6 Meters)



Machining Services

ITEM#	SERIES	SERVICE DESCRIPTION
670505	45	Cut to Length
660236		M8 Forming Tap

TS90-90 MT - 90mm x 90mm



Product Information

ITEM#	SERIES	FINISH	MATERIAL	ALLOY	STOCK LENGTH	WEIGHT	ESTIMATED AREA	MOMENT OF INERTIA	DROP LOCK
630002	45	Clear Anodize	Aluminum	6560-T6	Per inch / Max 240" (6 Meters)	2.601 lbs/ft	2.167 in ²	I _x = 3.168 in ⁴ I _y = 3.168 in ⁴	No

Bulk Information

FINISH	1000 SERIES	BUNDLE PCS QTY	2000 SERIES	BUNDLE PCS QTY	LENGTH
Clear	103166	30	200322	12	240" (6 Meters)

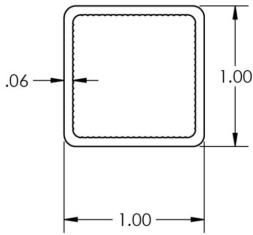
Machining Services

ITEM#	SERIES	SERVICE DESCRIPTION
670508	45	Cut to Length
660237		M8 Forming Tap

Specialty Extrusions

SF SERIES

SF1010 SQ - 1.00" x 1.00" Square Snap Frame



Product Information

ITEM#	SERIES	FINISH	MATERIAL	ALLOY	STOCK LENGTH	WEIGHT	ESTIMATED AREA	MOMENT OF INERTIA	DROP LOCK
640050	SF	Clear Anodize	Aluminum	6560-T6	Per inch / Max 205"	.276 lbs/ft	.234 in ²	I _x = .034 in ⁴ I _y = .034 in ⁴	No
640150		Black Anodize							

Bulk Information

FINISH	1000 SERIES	BUNDLE PCS QTY	2000 SERIES	BUNDLE PCS QTY	LENGTH
Clear	103002	220	200323	50	205"
Black	103003	220	200324	50	

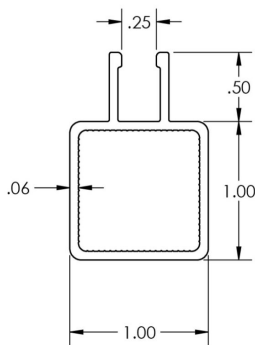
Machining Services

ITEM#	SERIES	SERVICE DESCRIPTION
660002	SF	Cut to Length

Specialty Extrusions

SF SERIES

SF1010 Mono - 1.00" x 1.00" Mono Slot Snap Frame

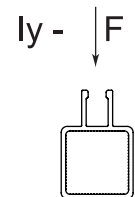
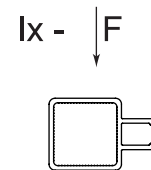


Product Information

ITEM#	SERIES	FINISH	MATERIAL	ALLOY	STOCK LENGTH	WEIGHT	ESTIMATED AREA	MOMENT OF INERTIA	DROP LOCK
640051	SF	Clear Anodize	Aluminum	6560-T6	Per inch / Max 205"	.444 lbs/ft	.302 in ²	I _x = .036 in ⁴ I _y = .066 in ⁴	No
640151		Black Anodize							

Bulk Information

FINISH	1000 SERIES	BUNDLE PCS QTY	2000 SERIES	BUNDLE PCS QTY	LENGTH
Clear	103006	220	200325	50	205"
Black	103007	220	200326	50	



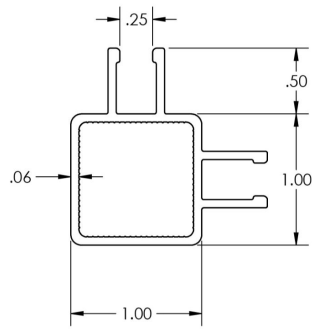
Machining Services

ITEM#	SERIES	SERVICE DESCRIPTION
660002	SF	Cut to Length

Specialty Extrusions

SF SERIES

SF1010 Biadj - 1.00" x 1.00" Bi Slot Adjacent Snap Frame



Product Information

ITEM#	SERIES	FINISH	MATERIAL	ALLOY	STOCK LENGTH	WEIGHT	ESTIMATED AREA	MOMENT OF INERTIA	DROP LOCK
640052	SF	Clear Anodize	Aluminum	6560-T6	Per inch / Max 205"	.444 lbs/ft	.371 in ²	I _x = .063 in ⁴ I _y = .078 in ⁴	No
640152		Black Anodize							

Bulk Information

FINISH	1000 SERIES	BUNDLE PCS QTY	2000 SERIES	BUNDLE PCS QTY	LENGTH
Clear	103008	220	200327	50	205"
Black	103009	220	200328	50	

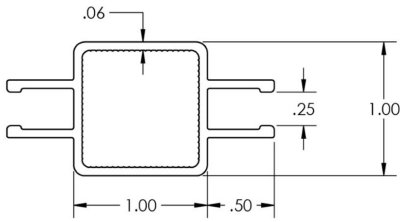
Machining Services

ITEM#	SERIES	SERVICE DESCRIPTION
660002	SF	Cut to Length

Specialty Extrusions

SF SERIES

SF1010 Biopp - 1.00" x 1.00" Bi Slot Opposite Snap Frame

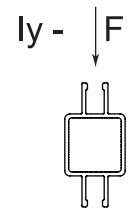
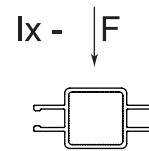


Product Information

ITEM#	SERIES	FINISH	MATERIAL	ALLOY	STOCK LENGTH	WEIGHT	ESTIMATED AREA	MOMENT OF INERTIA	DROP LOCK
640053	SF	Clear Anodize	Aluminum	6560-T6	Per inch / Max 205"	.444 lbs/ft	.371 in ²	I _x = .038 in ⁴ I _y = .117 in ⁴	No
640153		Black Anodize							

Bulk Information

FINISH	1000 SERIES	BUNDLE PCS QTY	2000 SERIES	BUNDLE PCS QTY	LENGTH
Clear	103010	220	200329	50	205"
Black	103011	220	200330	50	



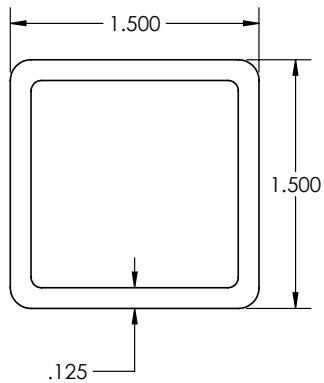
Machining Services

ITEM#	SERIES	SERVICE DESCRIPTION
660002	SF	Cut to Length

Specialty Extrusions

TU SERIES

TU1515 SQ - 1.50" x 1.50" Square Tubing



Product Information

ITEM#	SERIES	FINISH	MATERIAL	ALLOY	STOCK LENGTH	WEIGHT	ESTIMATED AREA	MOMENT OF INERTIA	DROP LOCK
662502	TU	Clear Anodize	Aluminum	6560-T6	Per inch / Max 145"	.813 lbs/ft	.677 in ²	I _x = .213 in ⁴ I _y = .213 in ⁴	No
662503		Black Anodize							

Bulk Information

FINISH	1000 SERIES	BUNDLE PCS QTY	2000 SERIES	BUNDLE PCS QTY	LENGTH
Clear	--	--	200334	50	145"
Black	--	--	200335	50	

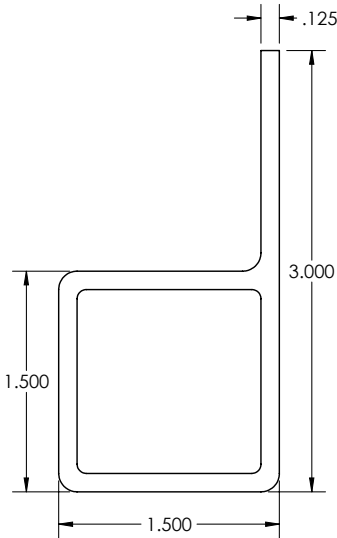
Machining Services

ITEM#	SERIES	SERVICE DESCRIPTION
660003	TU	Cut to Length

Specialty Extrusions

TU SERIES

TU1515 PT - 1.50" x 1.50" P-Tubing

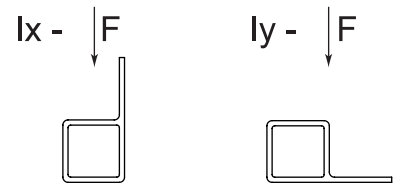


Product Information

ITEM#	SERIES	FINISH	MATERIAL	ALLOY	STOCK LENGTH	WEIGHT	ESTIMATED AREA	MOMENT OF INERTIA	DROP LOCK
662501	TU	Clear Anodize	Aluminum	6560-T6	Per inch / Max 145"	1.046 lbs/ft	.872 in ²	I _x = .219 in ⁴ I _y = .644 in ⁴	No
662504		Black Anodize							

Bulk Information

FINISH	1000 SERIES	BUNDLE PCS QTY	2000 SERIES	BUNDLE PCS QTY	LENGTH
Clear	--	--	200336	50	145"
Black	--	--	200337	50	



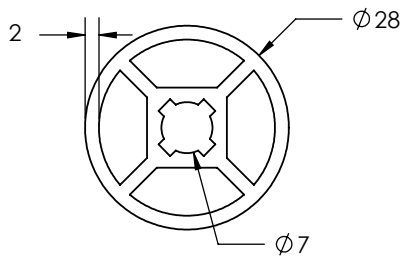
Machining Services

ITEM#	SERIES	SERVICE DESCRIPTION
660003	TU	Cut to Length

Specialty Extrusions

TU SERIES

D28 TUBE - 28mm Tubing



Product Information

ITEM#	SERIES	FINISH	MATERIAL	ALLOY	STOCK LENGTH	WEIGHT	ESTIMATED AREA	MOMENT OF INERTIA	DROP LOCK
670010	TU	Clear Anodize	Aluminum	6560-T6	Per inch / Max 239"	.495 lbs/ft	.413 in ²	I _x = .039 in ⁴ I _y = .039 in ⁴	No
670110		Black Anodize							

Bulk Information

FINISH	1000 SERIES	BUNDLE PCS QTY	2000 SERIES	BUNDLE PCS QTY	LENGTH
Clear	102955	120	200268	20	239"
Black	102953	120	200316	20	

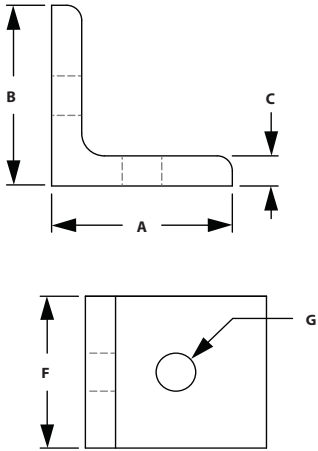
Machining Services

ITEM#	SERIES	SERVICE DESCRIPTION
670500	TU	Cut to Length
670511		M8x1.25 Tap
660034		5/16-18" Tap

BRACKETS & JOINING PLATES SECTION

Brackets

2 Hole Inside Corner Bracket



Product Information

ITEM#	SERIES	ANODIZED FINISH	MATERIAL	A	B	C	D	E	F	G
653047	10	Clear	Aluminum	1.000"	1.000"	.125"	.500"	.500"	.875"	.257"
653056		Clear		1.000"	1.000"	.188"	.500"	.500"	.875"	.257"
654056		Black		1.000"	1.000"	.188"	.500"	.500"	.875"	.257"
653136	15	Clear		1.500"	1.500"	.250"	.750"	.750"	1.300"	.328"
654136		Black		1.500"	1.500"	.250"	.750"	.750"	1.300"	.328"
671706	30	Clear		30.00mm	30.00mm	5.00mm	15.00mm	15.00mm	30.00mm	7.00mm
664005	40	Clear		38.10mm	38.10mm	6.35mm	18.00mm	20.00mm	36.00mm	8.33mm
671707	45	Clear		45.00mm	45.00mm	6.00mm	20.50mm	22.50mm	41.00mm	9.00mm

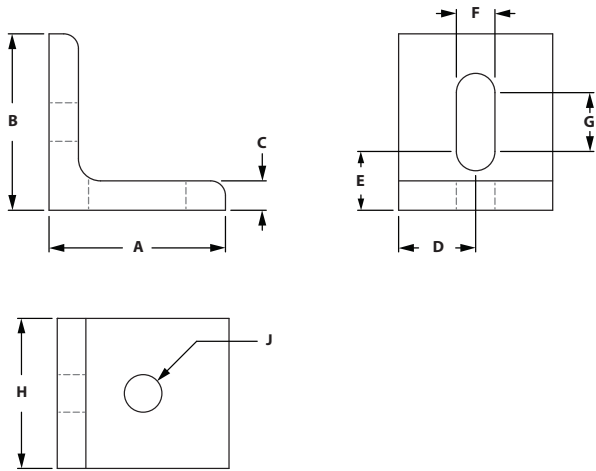
Recommended Fasteners (Mount to Slot)

ITEM#	SERIES	QTY.	BOLT	T-NUT
651166	10	2	1/4-20 x 3/8" FBHSCS	Economy
651171	10	2	1/4-20 x 1/2" BHSCS	Economy
651129	15	2	5/16-18 x 11/16" FBHSCS	Economy
651706	30	2	M6 x 12mm BHSCS	Hammer Nut
651506	40	2	M8 x 16mm BHSCS	Economy
651708	45	2	M8 x 18mm BHSCS	Hammer Nut

» Item 651166 only works for item # 653047

Brackets

2 Hole Inside Slotted Corner Bracket



Product Information

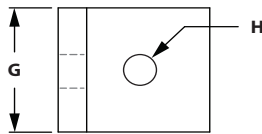
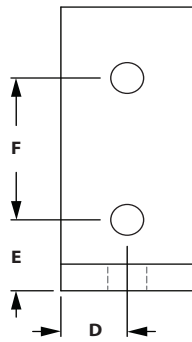
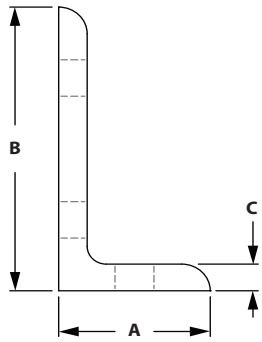
ITEM#	SERIES	ANODIZED FINISH	MATERIAL	A	B	C	D	E	F	G	H	J
653126	10	Clear	Aluminum	1.000"	1.000"	.188"	.438"	.500"	.281"	.188"	.875"	.281"
654126		Black		1.000"	1.000"	.188"	.438"	.500"	.281"	.188"	.875"	.281"
653133	15	Clear		1.500"	1.500"	.250"	.655"	.500"	.328"	.500"	1.310"	.328"
654133		Black		1.500"	1.500"	.250"	.655"	.500"	.328"	.500"	1.310"	.328"
664003	40	Clear		38.10mm	38.10mm	6.35mm	18.00mm	14.00mm	8.33mm	14.00mm	36.00mm	8.33mm
664103		Black		38.10mm	38.10mm	6.35mm	18.00mm	14.00mm	8.33mm	14.00mm	36.00mm	8.33mm

Recommended Fasteners (Mount to Slot)

ITEM#	SERIES	QTY.	BOLT	T-NUT
651171	10	2	1/4-20 x 1/2" BHSCS	Economy
651129	15	2	5/16-18 x 1/16" FBHSCS	Economy
651506	40	2	M8 x 16mm BHSCS	Economy

Brackets

3 Hole Inside Corner Bracket



Product Information

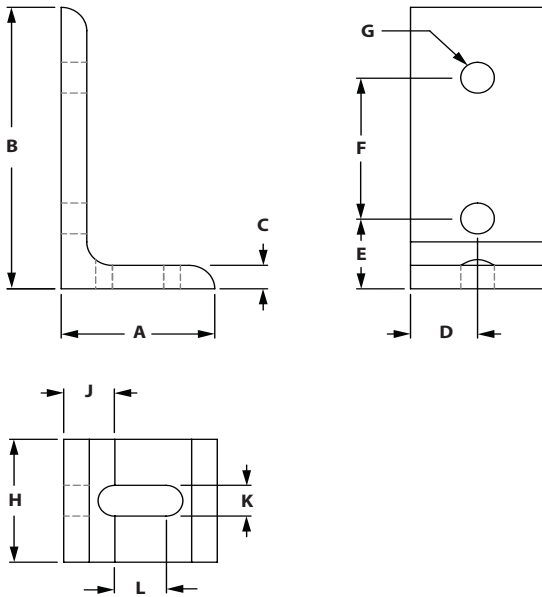
ITEM#	SERIES	ANODIZED FINISH	MATERIAL	A	B	C	D	E	F	G	H
653107	10	Clear	Aluminum	1.000"	2.000"	.188"	.438"	.500"	1.000"	.875"	.281"
653204	15	Clear		1.500"	3.000"	.250"	.655"	.750"	1.500"	1.310"	.328"
654204		Black		1.500"	3.000"	.250"	.655"	.750"	1.500"	1.310"	.328"
664007	40	Clear		38.10mm	76.20mm	6.35mm	18.00mm	20.00mm	40.00mm	36.00mm	8.33mm

Recommended Fasteners (Mount to Slot)

ITEM#	SERIES	QTY.	BOLT	T-NUT
651171	10	2	1/4-20 x 1/2" BHSCS	Economy
651129	15	2	5/16-18 x 11/16" FBHSCS	Economy
651506	40	2	M8 x 16mm BHSCS	Economy

Brackets

3 Hole Inside Slotted Corner Bracket



Product Information

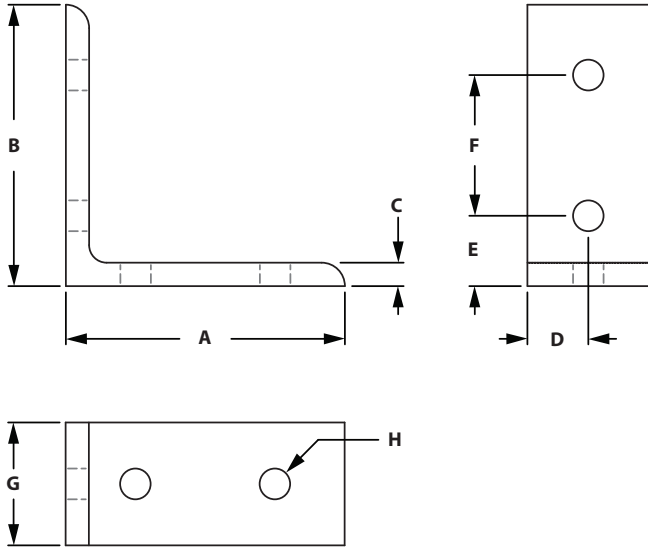
ITEM#	SERIES	ANODIZED FINISH	MATERIAL	A	B	C	D	E	F	G	H	J	K	L
653123	10	Clear	Aluminum	1.000"	2.000"	.188"	.438"	.500"	1.000"	.281"	.875"	.500"	.281"	.188"
653128	15	Clear		1.500"	3.000"	.250"	.655"	.750"	1.500"	.328"	1.310"	.500"	.328"	.500"

Recommended Fasteners (Mount to Slot)

ITEM#	SERIES	QTY.	BOLT	T-NUT
651171	10	2	1/4-20 x 1/2" BHSCS	Economy
651129	15	2	5/16-18 x 1/16" FBHSCS	Economy

Brackets

4 Hole Vertical Inside Corner Bracket



Product Information

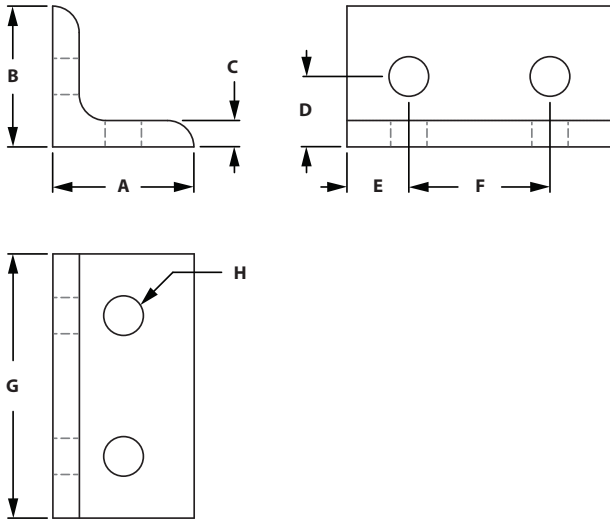
ITEM#	SERIES	ANODIZED FINISH	MATERIAL	A	B	C	D	E	F	G	H
653052	10	Clear	Aluminum	2.000"	2.000"	.188"	.438"	.500"	1.000"	.875"	.281"
654052		Black		2.000"	2.000"	.188"	.438"	.500"	1.000"	.875"	.281"
653045		Clear		2.500"	2.500"	.188"	.438"	.750"	1.000"	.875"	.257"
653135	15	Clear		3.000"	3.000"	.250"	.655"	.750"	1.500"	1.310"	.328"
654135		Black		3.000"	3.000"	.250"	.655"	.750"	1.500"	1.310"	.328"
671708	30	Clear		60.00mm	60.00mm	5.00mm	13.50mm	15.00mm	30.00mm	27.00mm	7.00mm
664004	40	Clear		76.20mm	76.20mm	6.35mm	18.00mm	20.00mm	40.00mm	36.00mm	8.33mm
671709	45	Clear		90.00mm	90.00mm	6.00mm	20.50mm	22.50mm	45.00mm	41.00mm	9.00mm

Recommended Fasteners (Mount to Slot)

ITEM#	SERIES	QTY.	BOLT	T-NUT
651171	10	4	1/4-20 x 1/2" BHSCS	Economy
651129	15	4	5/16-18 x 11/16" FBHSCS	Economy
651706	30	4	M6 x 12mm BHSCS	Hammer Nut
651506	40	4	M8 x 16mm BHSCS	Economy
651708	45	4	M8 x 18mm BHSCS	Hammer Nut

Brackets

4 Hole Horizontal Inside Slotted Corner Bracket



Product Information

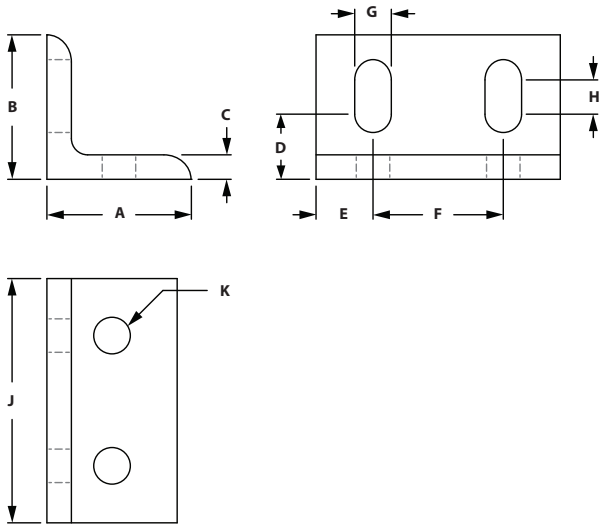
ITEM#	SERIES	ANODIZED FINISH	MATERIAL	A	B	C	D	E	F	G	H
653050	10	Clear	Aluminum	1.000"	1.000"	.188"	.500"	.438"	1.000"	1.875"	.281"
653137	15	Clear		1.500"	1.500"	.250"	.750"	.655"	1.500"	2.810"	.328"
671710	30	Clear		30.00mm	30.00mm	5.00mm	15.00mm	13.50mm	30.00mm	57.00mm	7.00mm
664001	40	Clear		38.10mm	38.10mm	6.35mm	20.00mm	18.00mm	40.00mm	36.00mm	8.33mm
671711	45	Clear		45.00mm	45.00mm	6.00mm	15.00mm	20.50mm	45.00mm	86.00mm	9.00mm

Recommended Fasteners (Mount to Slot)

ITEM#	SERIES	QTY.	BOLT	T-NUT
651171	10	4	1/4-20 x 1/2" BHSCS	Economy
651129	15	4	5/16-18 x 11/16" FBHSCS	Economy
651706	30	4	M6 x 12mm BHSCS	Hammer Nut
651506	40	4	M8 x 16mm BHSCS	Economy
651708	45	4	M8 x 18mm BHSCS	Hammer Nut

Brackets

4 Hole Horizontal Slotted Inside Corner Bracket



Product Information

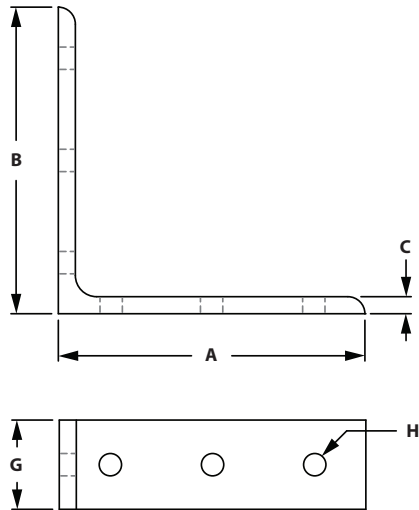
ITEM#	SERIES	ANODIZED FINISH	MATERIAL	A	B	C	D	E	F	G	H	J	K
653125	10	Clear	Aluminum	1.000"	1.000"	.188"	.500"	.438"	1.000"	.281"	.188"	1.875"	.281"
653132	15	Clear		1.500"	1.500"	.250"	.750"	.655"	1.500"	.328"	.500"	2.810"	.328"
659060	40	Clear		40.00mm	40.00mm	6.35mm	14.00mm	18.00mm	40.00mm	8.30mm	14.00mm	76.00mm	8.30mm

Recommended Fasteners (Mount to Slot)

ITEM#	SERIES	QTY.	BOLT	T-NUT
651171	10	4	1/4-20 x 1/2" BHSCS	Economy
651129	15	4	5/16-18 x 11/16" FBHSCS	Economy
651506	40	4	M8 x 16mm BHSCS	Economy

Brackets

6 Hole Vertical Inside Corner Bracket



Product Information

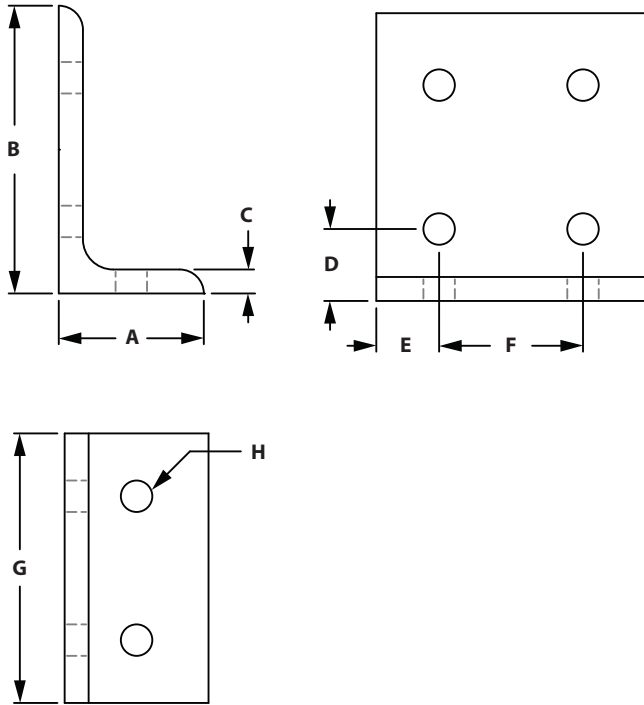
ITEM#	SERIES	ANODIZED FINISH	MATERIAL	A	B	C	D	E	F	G	H
653012	10	Clear	Aluminum	3.000"	3.000"	.188"	.438"	.500"	1.000"	.875"	.281"
653235	15	Clear		4.500"	4.500"	.250"	.655"	.750"	1.500"	1.310"	.328"

Recommended Fasteners (Mount to Slot)

ITEM#	SERIES	QTY.	BOLT	T-NUT
651171	10	6	1/4-20 x 1/2" BHSCS	Economy
651129	15	6	5/16-18 x 1/16" FBHSCS	Economy

Brackets

6 Hole Inside Corner Bracket



Product Information

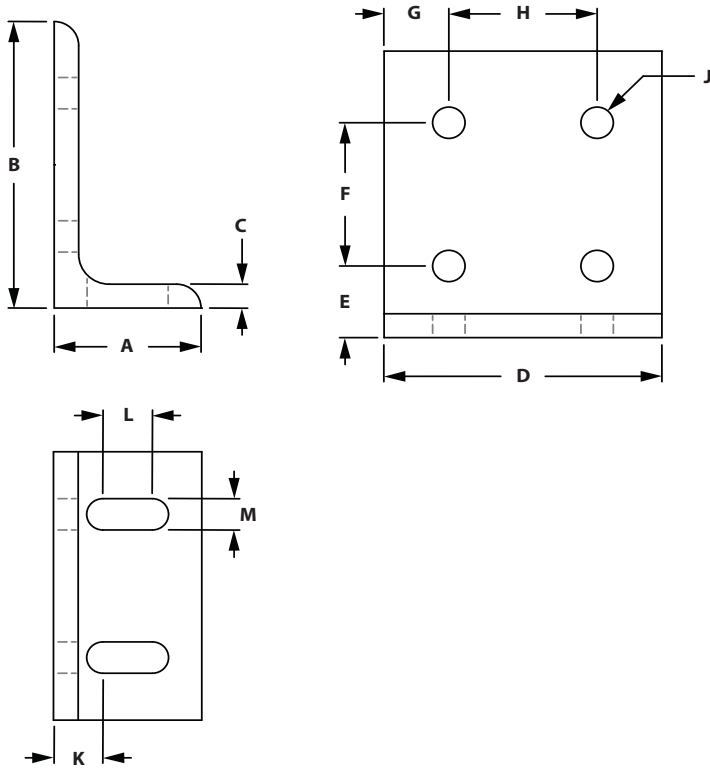
ITEM#	SERIES	ANODIZED FINISH	MATERIAL	A	B	C	D	E	F	G	H
653106	10	Clear	Aluminum	1.000"	2.000"	.188"	.500"	.438"	1.000"	1.875"	.281"
653203	15	Clear		1.500"	3.000"	.250"	.750"	.655"	1.500"	2.810"	.328"
654203		Black		1.500"	3.000"	.250"	.750"	.655"	1.500"	2.810"	.328"
664038	40	Clear		38.10mm	76.20mm	6.35mm	20.00mm	18.00mm	40.00mm	76.00mm	8.33mm

Recommended Fasteners (Mount to Slot)

ITEM#	SERIES	QTY.	BOLT	T-NUT
651171	10	6	1/4-20 x 1/2" BHSCS	Economy
651129	15	6	5/16-18 x 11/16" FBHSCS	Economy
651506	40	6	M8 x 16mm BHSCS	Economy

Brackets

6 Hole Slotted Inside Corner Bracket



Product Information

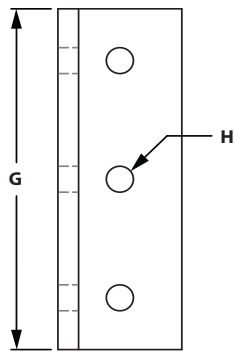
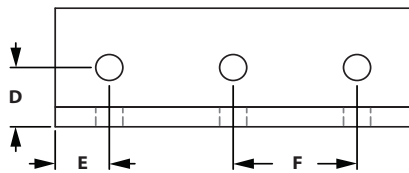
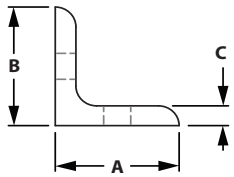
ITEM#	SERIES	ANODIZED FINISH	MATERIAL	A	B	C	D	E	F	G	H	J	K	L	M
653131	10	Clear	Aluminum	1.000"	2.000"	.188"	1.875"	.500"	1.000"	.438"	1.000"	.281"	.500"	.188"	.281"
653130	15	Clear		1.500"	3.000"	.250"	2.810"	.750"	1.500"	.655"	1.500"	.328"	.750"	.500"	.328"

Recommended Fasteners (Mount to Slot)

ITEM#	SERIES	QTY.	BOLT	T-NUT
651171	10	6	1/4-20 x 1/2" BHSCS	Economy
651129	15	6	5/16-18 x 1/16" FBHSCS	Economy

Brackets

6 Hole Horizontal Inside Corner Bracket



Product Information

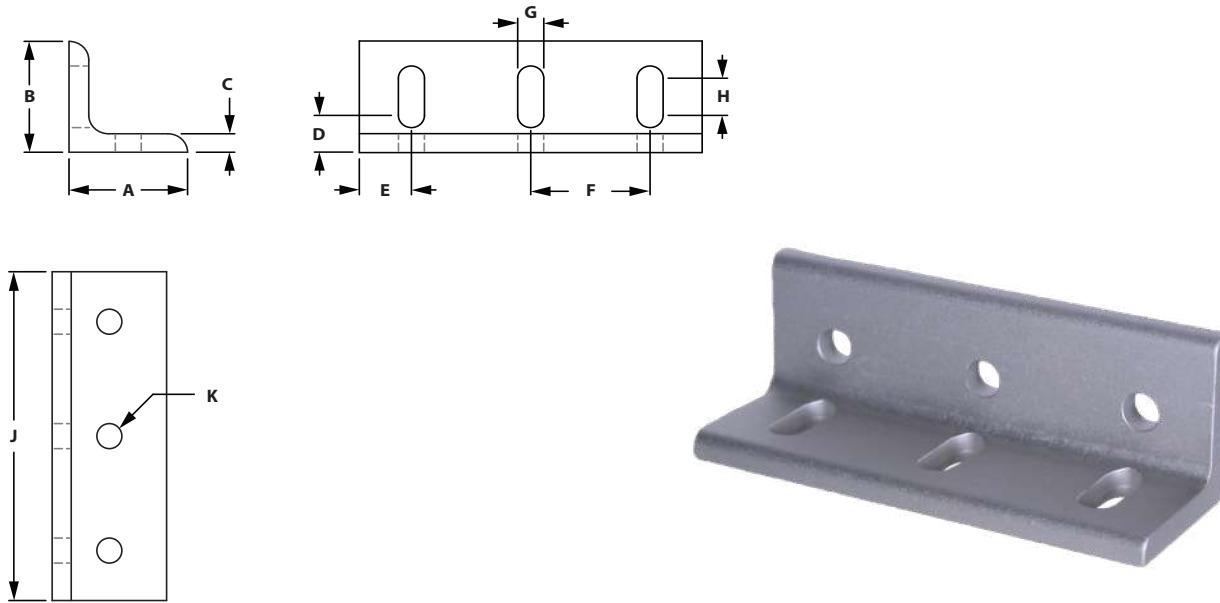
ITEM#	SERIES	ANODIZED FINISH	MATERIAL	A	B	C	D	E	F	G	H
653014	10	Clear	Aluminum	1.000"	1.000"	.188"	.500"	.438"	1.000"	2.880"	.281"
653237	15	Clear		1.500"	1.500"	.250"	.750"	.655"	1.500"	4.310"	.328"

Recommended Fasteners (Mount to Slot)

ITEM#	SERIES	QTY.	BOLT	T-NUT
651171	10	6	1/4-20 x 1/2" BHSCS	Economy
651129	15	6	5/16-18 x 1/16" FBHSCS	Economy

Brackets

6 Hole Horizontal Slotted Inside Corner Bracket



Product Information

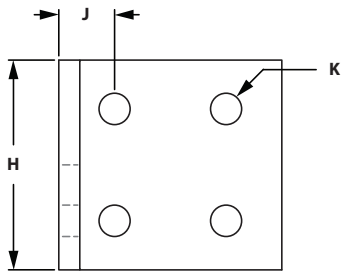
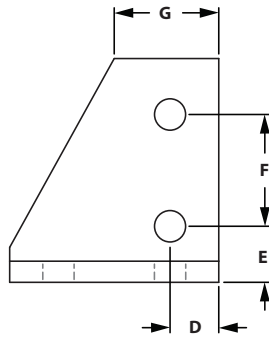
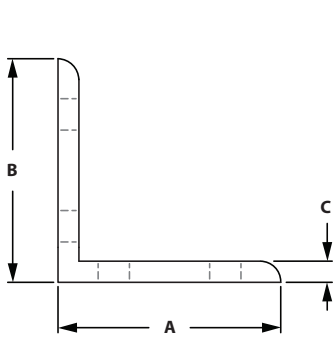
ITEM#	SERIES	ANODIZED FINISH	MATERIAL	A	B	C	D	E	F	G	H	J	K
653127	10	Clear	Aluminum	1.000"	1.000"	.188"	.500"	.438"	1.000"	.281"	.188"	2.875"	.281"
653134	15	Clear		1.500"	1.500"	.250"	.750"	.655"	1.500"	.328"	.500"	4.310"	.328"

Recommended Fasteners (Mount to Slot)

ITEM#	SERIES	QTY.	BOLT	T-NUT
651171	10	6	1/4-20 x 1/2" BHSCS	Economy
651129	15	6	5/16-18 x 1/16" FBHSCS	Economy

Brackets

6 Hole Right Hand Inside Corner Bracket



Product Information

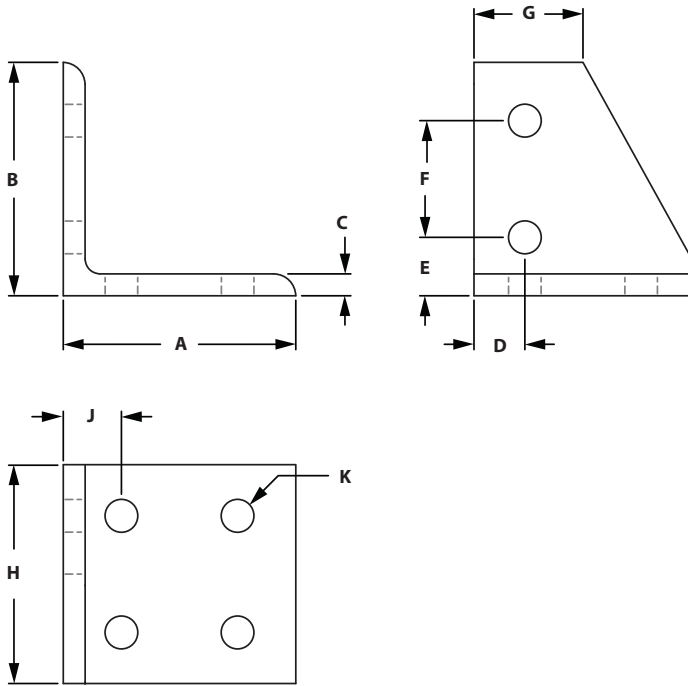
ITEM#	SERIES	ANODIZED FINISH	MATERIAL	A	B	C	D	E	F	G	H	J	K
653142	15	Clear	Aluminum	3.000"	3.000"	.250"	.655"	.750"	1.500"	1.310"	2.810"	.750"	.328"

Recommended Fasteners (Mount to Slot)

ITEM#	SERIES	QTY.	BOLT	T-NUT
651129	15	6	5/16-18 x 11/16" FBHSCS	Economy

Brackets

6 Hole Left Hand Inside Corner Bracket



Product Information

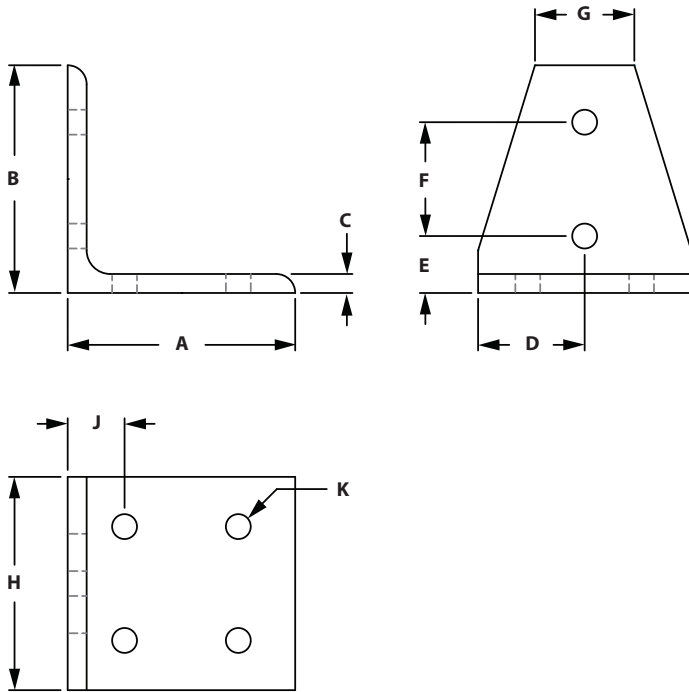
ITEM#	SERIES	ANODIZED FINISH	MATERIAL	A	B	C	D	E	F	G	H	J	K
653143	15	Clear	Aluminum	3.000"	3.000"	.250"	.655"	.750"	1.500"	1.310"	2.810"	.750"	.328"

Recommended Fasteners (Mount to Slot)

ITEM#	SERIES	QTY.	BOLT	T-NUT
651129	15	6	5/16-18 x 11/16" FBHSCS	Economy

Brackets

6 Hole Center Inside Corner Bracket



Product Information

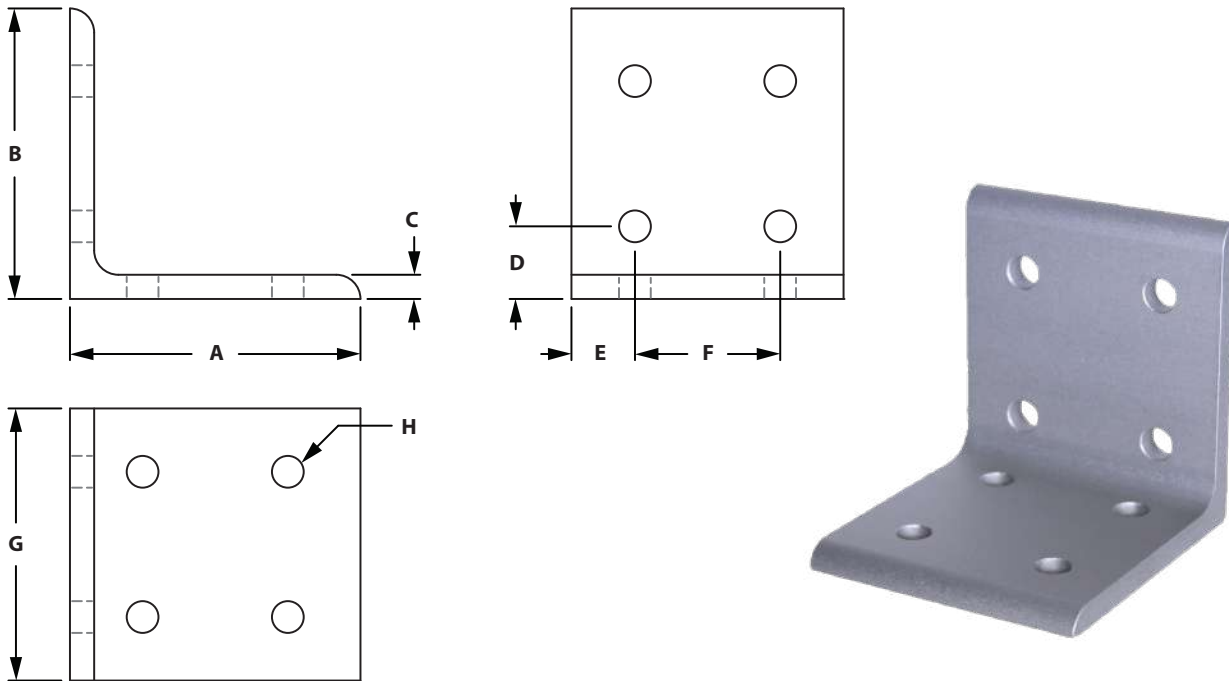
ITEM#	SERIES	ANODIZED FINISH	MATERIAL	A	B	C	D	E	F	G	H	J	K
653145	15	Clear	Aluminum	3.000"	3.000"	.250"	1.405"	.750"	1.500"	1.310"	2.810"	.750"	.328"

Recommended Fasteners (Mount to Slot)

ITEM#	SERIES	QTY.	BOLT	T-NUT
651129	15	6	5/16-18 x 11/16" FBHSCS	Economy

Brackets

8 Hole Vertical Inside Corner Bracket



Product Information

ITEM#	SERIES	ANODIZED FINISH	MATERIAL	A	B	C	D	E	F	G	H
653051	10	Clear	Aluminum	2.000"	2.000"	.188"	.500"	.438"	1.000"	1.875"	.281"
653138	15	Clear		3.000"	3.000"	.250"	.750"	.655"	1.500"	2.810"	.328"
654138		Black		3.000"	3.000"	.250"	.750"	.655"	1.500"	2.810"	.328"
671712	30	Clear		60.00mm	60.00mm	5.00mm	15.00mm	13.50mm	30.00mm	57.00mm	7.00mm
664027	40	Clear		76.20mm	76.20mm	6.35mm	20.00mm	18.00mm	40.00mm	76.00mm	8.33mm
671713	45	Clear		90.00mm	90.00mm	6.00mm	15.00mm	20.50mm	45.00mm	86.00mm	9.00mm

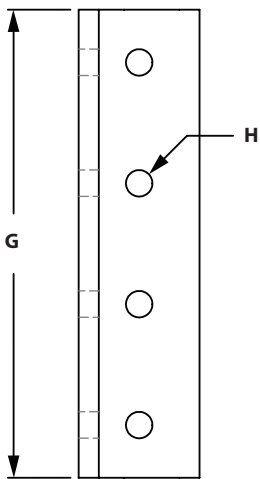
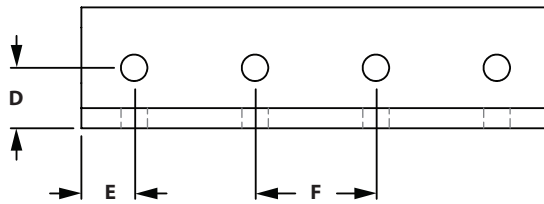
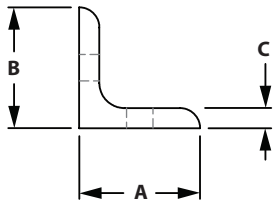
Recommended Fasteners (Mount to Slot)

ITEM#	SERIES	QTY.	BOLT	T-NUT
651171	10	8	1/4-20 x 1/2" BHSCS	Economy
651129	15	8	5/16-18 x 11/16" FBHSCS	Economy
651706	30	8	M6 x 12mm BHSCS	Hammer Nut
651506	40	8	M8 x 16mm BHSCS	Economy
651708	45	8	M8 x 18mm BHSCS	Hammer Nut

Brackets

BRACKETS

8 Hole Horizontal Inside Corner Bracket



Product Information

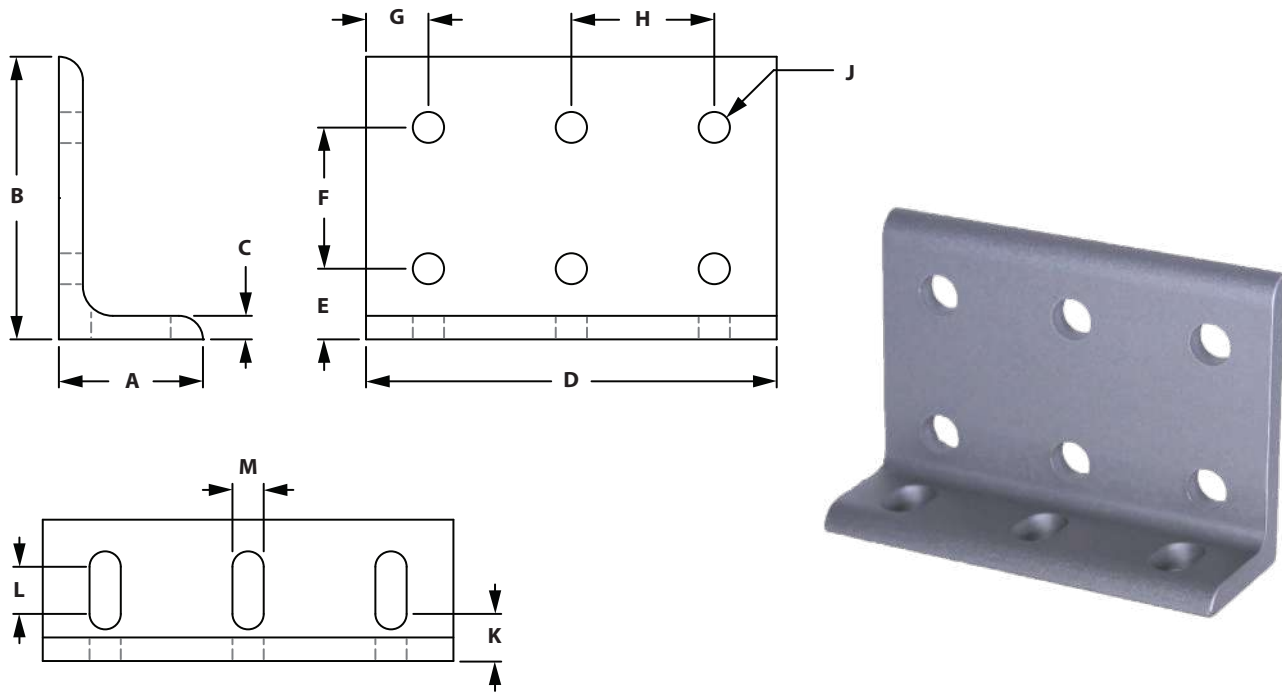
ITEM#	SERIES	ANODIZED FINISH	MATERIAL	A	B	C	D	E	F	G	H
653294	15	Clear	Aluminum	1.500"	1.500"	.250"	.750"	.655"	1.500"	5.810"	.328"

Recommended Fasteners (Mount to Slot)

ITEM#	SERIES	QTY.	BOLT	T-NUT
651129	15	8	5/16-18 x 11/16" FBHSCS	Economy

Brackets

9 Hole Slotted Inside Corner Bracket



Product Information

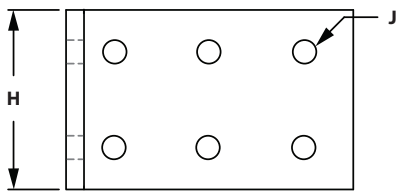
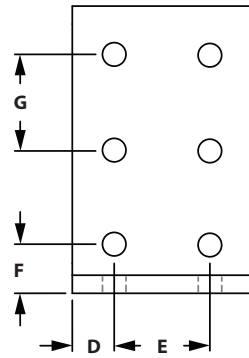
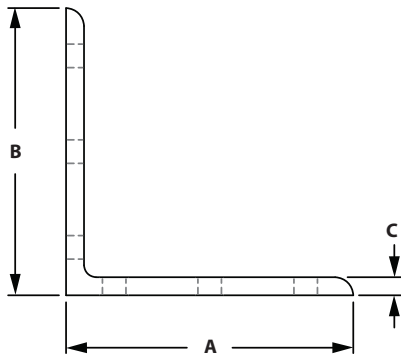
ITEM#	SERIES	ANODIZED FINISH	MATERIAL	A	B	C	D	E	F	G	H	J	K	L	M
653124	10	Clear	Aluminum	1.000"	2.000"	.188"	2.875"	.500"	1.000"	.438"	1.000"	.281"	.500"	.188"	.281"
653129	15	Clear		1.500"	3.000"	.250"	4.310"	.750"	1.500"	.655"	1.500"	.328"	.750"	.500"	.328"

Recommended Fasteners (Mount to Slot)

ITEM#	SERIES	QTY.	BOLT	T-NUT
651171	10	9	1/4-20 x 1/2" BHSCS	Economy
651129	15	9	5/16-18 x 1/16" FBHSCS	Economy

Brackets

12 Hole Vertical Inside Corner Bracket



Product Information

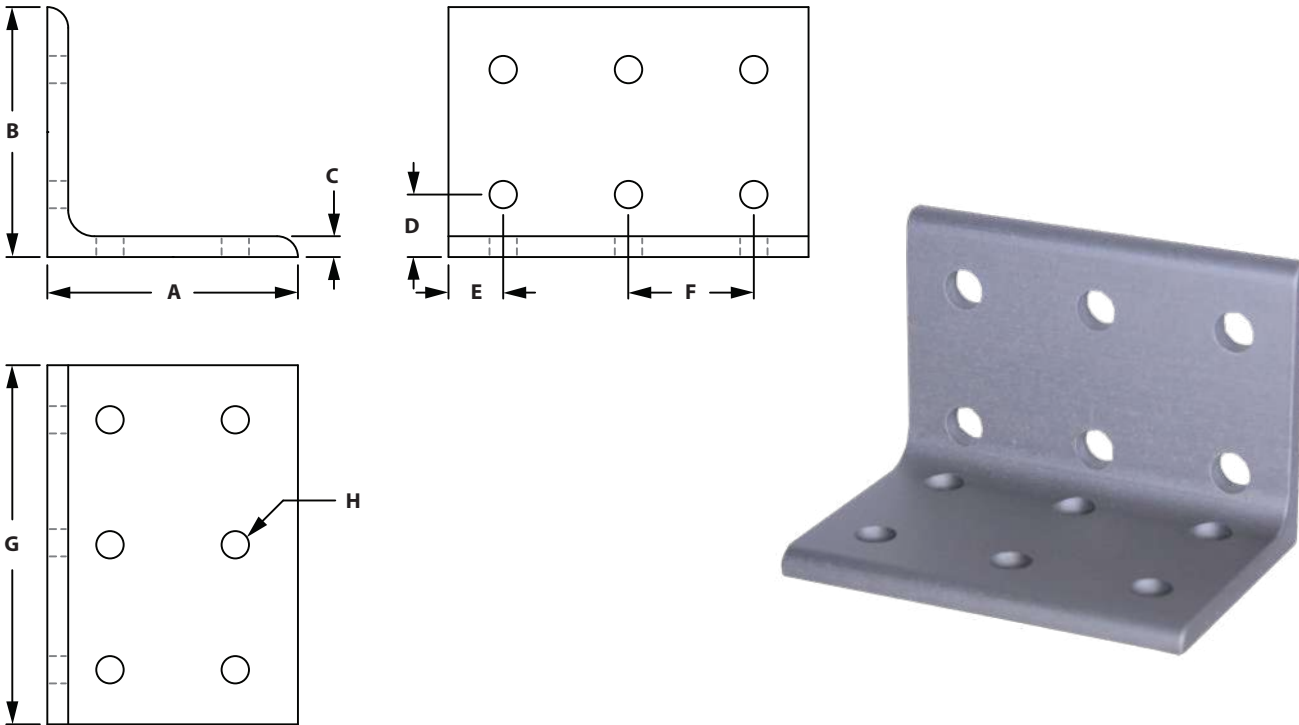
ITEM#	SERIES	ANODIZED FINISH	MATERIAL	A	B	C	D	E	F	G	H	J
653013	10	Clear	Aluminum	3.000"	3.000"	.188"	.438"	1.000"	.500"	1.000"	1.875"	.281"
653236	15	Clear		4.500"	4.500"	.250"	.655"	1.500"	.750"	1.500"	2.812"	.328"

Recommended Fasteners (Mount to Slot)

ITEM#	SERIES	QTY.	BOLT	T-NUT
651171	10	12	1/4-20 x 1/2" BHSCS	Economy
651129	15	12	5/16-18 x 1/16" FBHSCS	Economy

Brackets

12 Hole Horizontal Inside Corner Bracket



Product Information

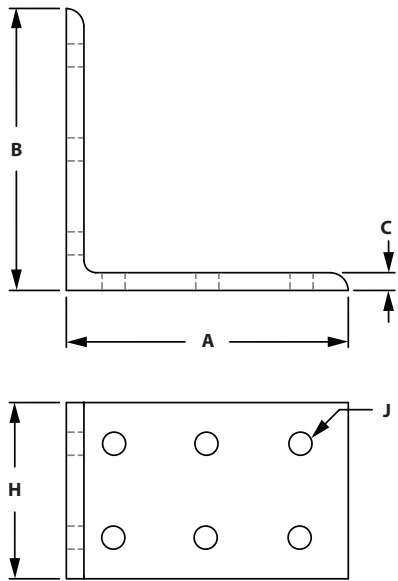
ITEM#	SERIES	ANODIZED FINISH	MATERIAL	A	B	C	D	E	F	G	H
653015	10	Clear	Aluminum	2.000"	2.000"	.188"	.500"	.438"	1.000"	2.875"	.281"
653238	15	Clear		3.000"	3.000"	.250"	.750"	.655"	1.500"	4.310"	.328"

Recommended Fasteners (Mount to Slot)

ITEM#	SERIES	QTY.	BOLT	T-NUT
651171	10	12	1/4-20 x 1/2" BHSCS	Economy
651129	15	12	5/16-18 x 1/16" FBHSCS	Economy

Brackets

18 Hole Inside Corner Bracket



Product Information

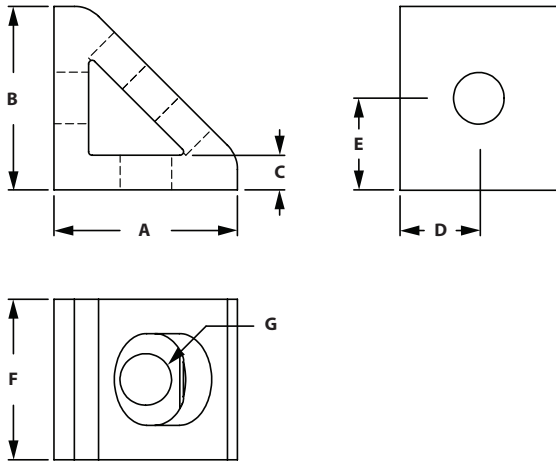
ITEM#	SERIES	ANODIZED FINISH	MATERIAL	A	B	C	D	E	F	G	H	J
653016	10	Clear	Aluminum	3.000"	3.000"	.188"	.438"	1.000"	.500"	1.000"	2.875"	.281"
653239	15	Clear		4.500"	4.500"	.250"	.655"	1.500"	.750"	1.500"	4.310"	.328"

Recommended Fasteners (Mount to Slot)

ITEM#	SERIES	QTY.	BOLT	T-NUT
651171	10	18	1/4-20 x 1/2" BHSCS	Economy
651129	15	18	5/16-18 x 1/16" FBHSCS	Economy

Gussets

2 Hole Inside Corner Gusset



Product Information

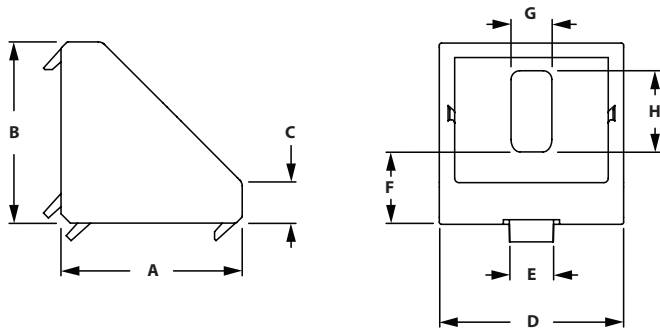
ITEM#	SERIES	ANODIZED FINISH	MATERIAL	A	B	C	D	E	F	G
653069	10	Clear	Aluminum	1.000"	1.000"	.188"	.438"	.500"	.875"	.281
653165	15	Clear		1.500"	1.500"	.250"	.655"	.750"	1.310"	.328"
654165		Black		1.500"	1.500"	.250"	.655"	.750"	1.310"	.328"
664006	40	Clear		38.10mm	38.10mm	6.35mm	18.00mm	20.00mm	36.00mm	8.33mm

Recommended Fasteners (Mount to Slot)

ITEM#	SERIES	QTY.	BOLT	T-NUT
651171	10	2	1/4-20 x 1/2" BHSCS	Economy
651129	15	2	5/16-18 x 11/16" FBHSCS	Economy
651506	40	2	M8 x 16mm BHSCS	Economy

Gussets

2 Hole Alu Connection Gusset



Product Information

ITEM#	SERIES	ANODIZED FINISH	MATERIAL	A	B	C	D	E	F	G	H
671211	20	Plain	Die-Cast Aluminum	18.00mm	18.00mm	3.00mm	18.00mm	6.00mm	7.00mm	5.20mm	7.00mm
671213	30			27.00mm	27.00mm	6.00mm	28.00mm	8.00mm	12.50mm	6.40mm	9.50mm
671635*	30			27.00mm	27.00mm	6.00mm	28.00mm	8.00mm	12.50mm	6.40mm	9.50mm
671745	40			36.00mm	36.00mm	5.50mm	38.00mm	10.00mm	9.00mm	9.00mm	20.50mm
671217	45			41.00mm	41.00mm	9.50mm	42.00mm	10.00mm	16.50mm	9.00mm	18.50mm
671218*	45			41.00mm	41.00mm	9.50mm	42.00mm	10.00mm	16.50mm	9.00mm	18.50mm
671728	20			20.00mm	20.00mm	3.00mm	17.00mm	5.00mm	8.00mm	5.50mm	7.50mm
671747	40			36.00mm	36.00mm	5.50mm	38.00mm	8.00mm	9.00mm	9.00mm	20.50mm

* Item has fastening hardware included

Recommended Fasteners (Mount to Slot)

ITEM#	SERIES	QTY.	BOLT	T-NUT
651701	20	2	M4 x 8mm SHCS	Hammer Nut
651702	30	2	M6 x 14mm SHCS	Self-Align Drop-In
651703	40	2	M8 x 20mm Hammer Head	Flange Nut
651704	45	2	M8 x 25mm Hammer Head	Flange Nut
651709	20	2	M5 x 8mm BHSCS	Drop-In
651506	40	2	M8 x 16mm BHSCS	Economy

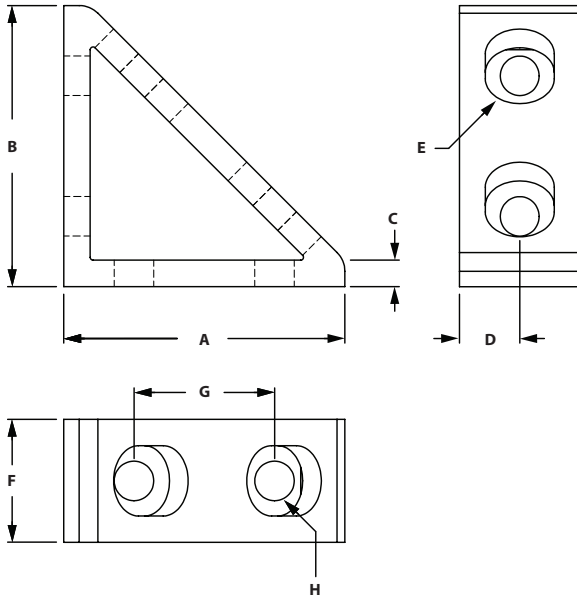
Cover Caps for Alu Connection Gussets

ITEM#	SERIES	MATERIAL
671224	20	Black Nylon PA
671225	30	
671227	45	
671746	40	



Gussets

4 Hole Vertical Inside Corner Gusset



Product Information

ITEM#	SERIES	ANODIZED FINISH	MATERIAL	A	B	C	D	E	F	G	H
653073	10	Clear	Aluminum	2.000"	2.000"	.188"	.438"	.500"	.875"	1.000"	.281"
654073		Black		2.000"	2.000"	.188"	.438"	.500"	.875"	1.000"	.281"
653169	15	Clear		3.000"	3.000"	.250"	.655"	.750"	1.310"	1.500"	.328"
654169		Black		3.000"	3.000"	.250"	.655"	.750"	1.310"	1.500"	.328"
664002	40	Clear		76.20mm	76.20mm	6.35mm	18.00mm	19.00mm	36.00mm	40.00mm	8.33mm
664102		Black		76.20mm	76.20mm	6.35mm	18.00mm	19.00mm	36.00mm	40.00mm	8.33mm

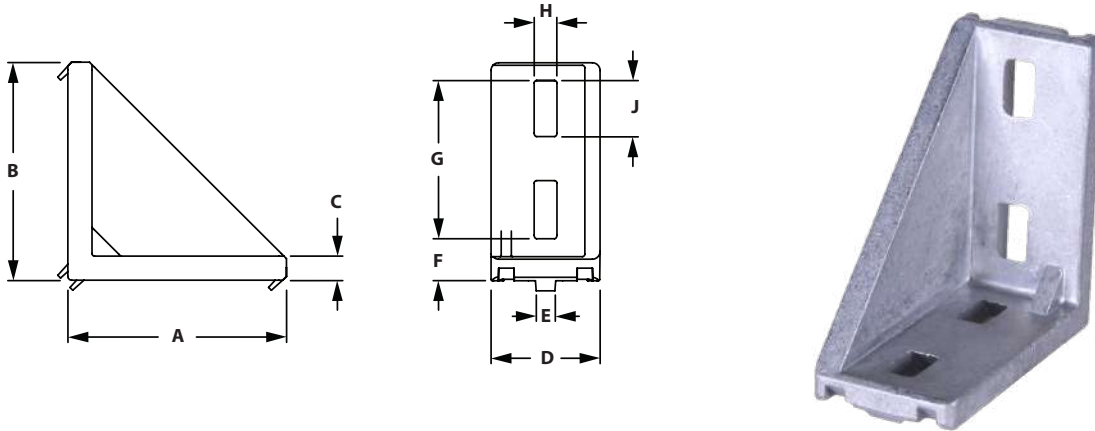
Recommended Fasteners (Mount to Slot)

ITEM#	SERIES	QTY.	BOLT	T-NUT
651171	10	4	1/4-20 x 1/2" BHSCS	Economy
651129	15	4	5/16-18 x 11/16" FBHSCS	Economy
651506	40	4	M8 x 16mm BHSCS	Economy

Gussets

4 Hole Alu Connection Gusset

BRACKETS



Product Information

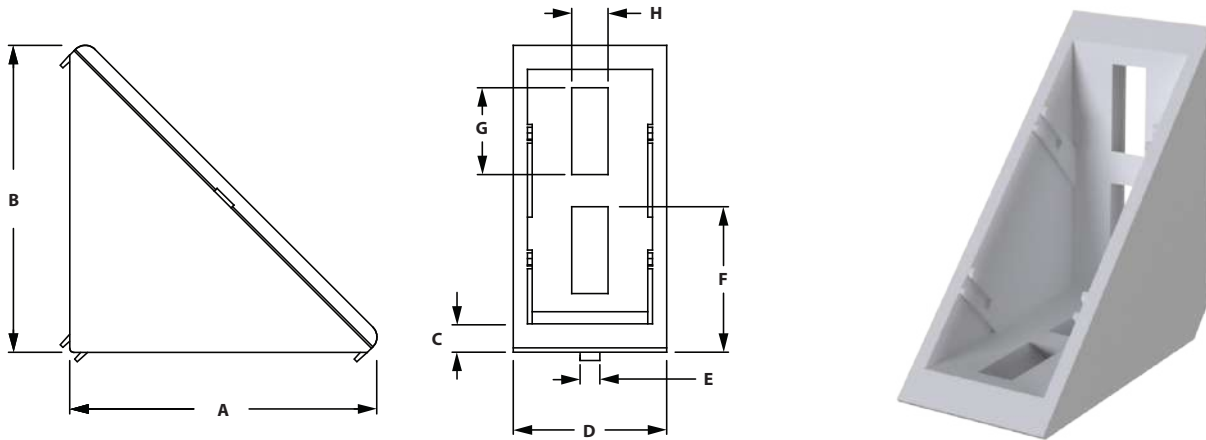
ITEM#	SERIES	ANODIZED FINISH	MATERIAL	A	B	C	D	E	F	G	H	J
671210	20	Plain	Die-Cast Aluminum	38.00mm	38.00mm	3.00mm	18.00mm	6.00mm	7.00mm	26.50mm	5.20mm	9.00mm
671212	30			57.00mm	57.00mm	5.50mm	28.00mm	8.00mm	12.00mm	39.00mm	6.40mm	11.00mm
671214	40			76.00mm	76.00mm	8.50mm	38.00mm	10.00mm	12.00mm	56.00mm	9.00mm	20.00mm
671219	45			86.00mm	86.00mm	9.50mm	43.00mm	10.00mm	16.50mm	62.50mm	9.00mm	22.00mm
671729	20			38.00mm	38.00mm	3.00mm	18.00mm	5.00mm	7.00mm	26.50mm	5.20mm	9.00mm

Recommended Fasteners (Mount to Slot)

ITEM#	SERIES	QTY.	BOLT	T-NUT
651701	20	4	M4 x 8mm SHCS	Hammer Nut
651702	30	4	M6 x 14mm SHCS	Self-Align Drop-In
651703	40	4	M8 x 20mm Hammer Head	Flange Nut
651705	45	4	M8 x 25mm Hammer Head	Self-Align Drop-In
651709	20	4	M5 x 8mm BHSCS	Drop-In

Gussets

4 Hole Inside Corner Gusset



Product Information

ITEM#	SERIES	ANODIZED FINISH	MATERIAL	A	B	C	D	E	F	G	H
655998	15 40 45	Powder Coated	Zinc Die-Cast	3.000" 76.00mm	3.000" 76.00mm	.276" 7.00mm	1.500" 38.00mm	--	1.417" 36.00mm	.815" 20.70mm	.323" 8.20mm
671787		Plain		3.000" 76.00mm	3.000" 76.00mm	.276" 7.00mm	1.500" 38.00mm	--	1.417" 36.00mm	.815" 20.70mm	.323" 8.20mm
671790	15 40	Powder Coated		3.000" 76.00mm	3.000" 76.00mm	.276" 7.00mm	1.500" 38.00mm	.315" 8.00mm	1.417" 36.00mm	.815" 20.70mm	.323" 8.20mm
671788		Plain		3.000" 76.00mm	3.000" 76.00mm	.276" 7.00mm	1.500" 38.00mm	.315" 8.00mm	1.417" 36.00mm	.815" 20.70mm	.323" 8.20mm
671791	40	Powder Coated		76.00mm	76.00mm	7.00mm	38.00mm	10.00mm	36.00mm	20.70mm	8.20mm
671789		Plain		76.00mm	76.00mm	7.00mm	38.00mm	10.00mm	36.00mm	20.70mm	8.20mm

Recommended Fasteners (Mount to Slot)

ITEM#	SERIES	QTY.	BOLT	T-NUT
651129	15	4	5/16-18 x 11/16" FBHSCS	Economy
651506	40	4	M8 x 16mm BHSCS	Economy
651705	40 45	4	M8 x 25mm Hammer Head	Self-Align Drop-In

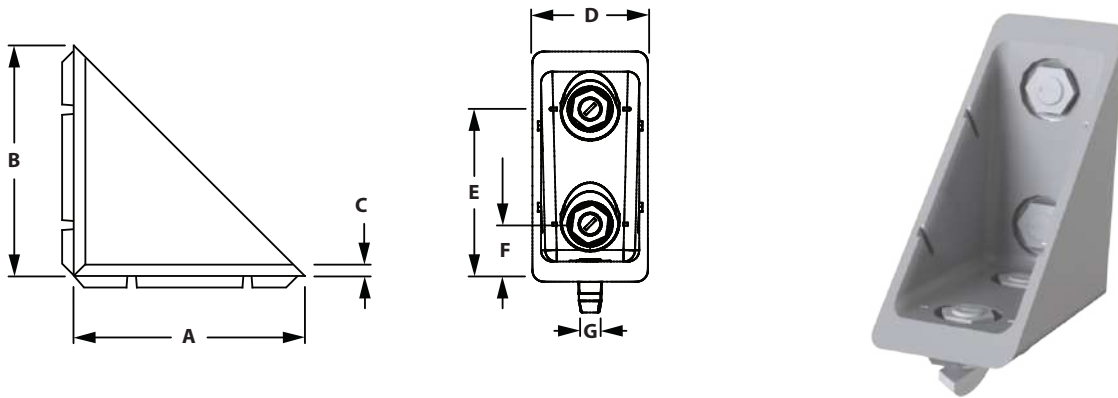
Cover Cap for Inside Corner Gusset

ITEM#	SERIES	MATERIAL
655997	15 40 45	Black Plastic PA



Gussets

Vertical Quick Install Gusset



*Connecting hardware included

Product Information

ITEM#	SERIES	ANODIZED FINISH	MATERIAL	A	B	C	D	E	F	G
653330	15	Powder Coated	Aluminum	3.150"	3.150"	.276"	1.575"	2.362"	.815"	.323"
	40	Coated	Die-Cast	80.00mm	80.00mm	7.00mm	40.00mm	60.00mm	20.00mm	8.00mm

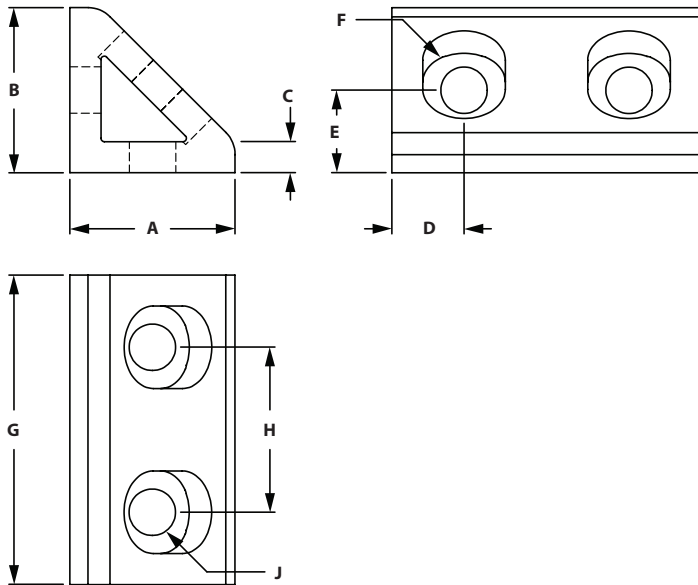
Cover Cap for Inside Corner Gusset

ITEM#	SERIES	MATERIAL
655991	15 40	Black Plastic PA



Gussets

4 Hole Horizontal Inside Corner Gusset



Product Information

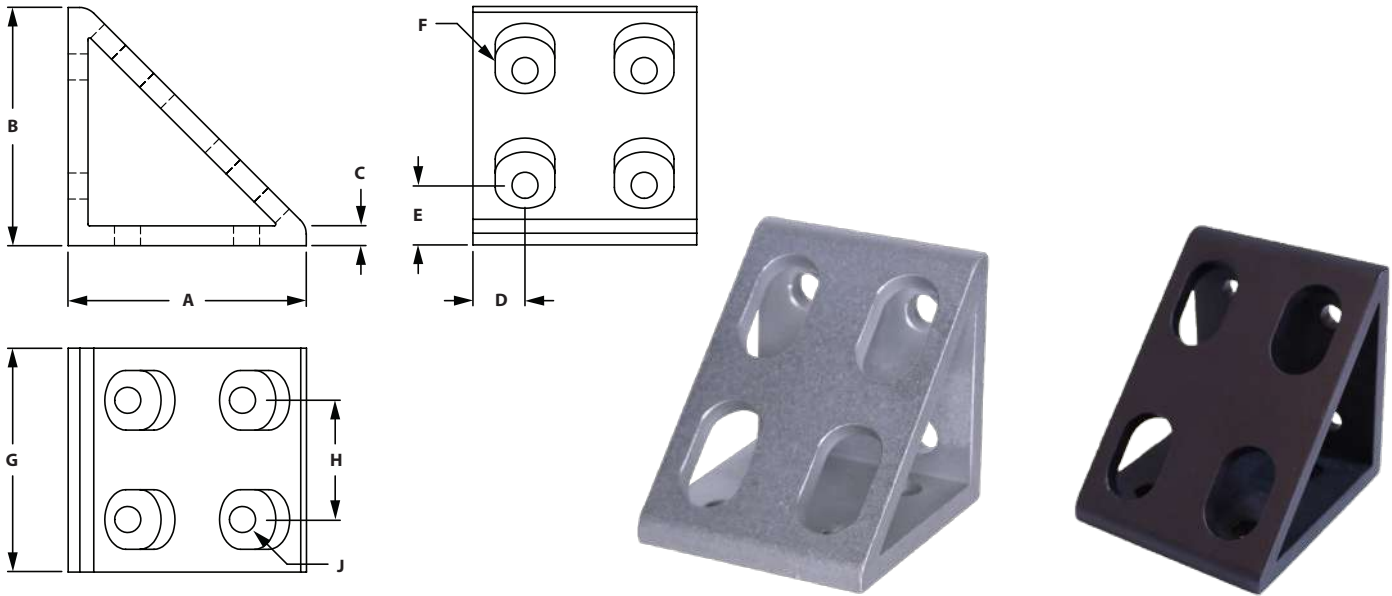
ITEM#	SERIES	ANODIZED FINISH	MATERIAL	A	B	C	D	E	F	G	H	J
653071	10	Clear	Aluminum	1.000"	1.000"	.188"	.438"	.500"	.500"	1.875"	1.000"	.281"
653167	15	Clear		1.500"	1.500"	.250"	.655"	.750"	.750"	2.810"	1.500"	.328"
654167		Black		1.500"	1.500"	.250"	.655"	.750"	.750"	2.810"	1.500"	.328"
664032	40	Clear		38.10mm	38.10mm	6.35mm	18.00mm	20.00mm	19.00mm	76.00mm	40.00mm	8.33mm
664132		Black		38.10mm	38.10mm	6.35mm	18.00mm	20.00mm	19.00mm	76.00mm	40.00mm	8.33mm

Recommended Fasteners (Mount to Slot)

ITEM#	SERIES	QTY.	BOLT	T-NUT
651171	10	4	1/4-20 x 1/2" BHSCS	Economy
651129	15	4	5/16-18 x 11/16" FBHSCS	Economy
651506	40	4	M8 x 16mm BHSCS	Economy

Gussets

8 Hole Vertical Inside Corner Gusset



Product Information

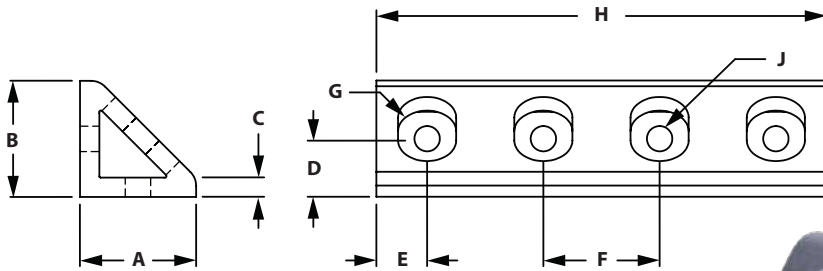
ITEM#	SERIES	ANODIZED FINISH	MATERIAL	A	B	C	D	E	F	G	H	J
653075	10	Clear	Aluminum	2.000"	2.000"	.188"	.438"	.500"	.500"	1.875"	1.000"	.281"
654075		Black		2.000"	2.000"	.188"	.438"	.500"	.500"	1.875"	1.000"	.281"
653171	15	Clear		3.000"	3.000"	.250"	.655"	.750"	.750"	2.810"	1.500"	.325"
654171		Black		3.000"	3.000"	.250"	.655"	.750"	.750"	2.810"	1.500"	.325"
664000	40	Clear		76.20mm	76.20mm	6.35mm	18.00mm	20.00mm	19.00mm	76.00mm	40.00mm	6.35mm
664100		Black		76.20mm	76.20mm	6.35mm	18.00mm	20.00mm	19.00mm	76.00mm	40.00mm	6.35mm

Recommended Fasteners (Mount to Slot)

ITEM#	SERIES	QTY.	BOLT	T-NUT
651171	10	8	1/4-20 x 1/2" BHSCS	Economy
651129	15	8	5/16-18 x 11/16" FBHSCS	Economy
651506	40	8	M8 x 16mm BHSCS	Economy

Gussets

8 Hole Horizontal Inside Corner Gusset



Product Information

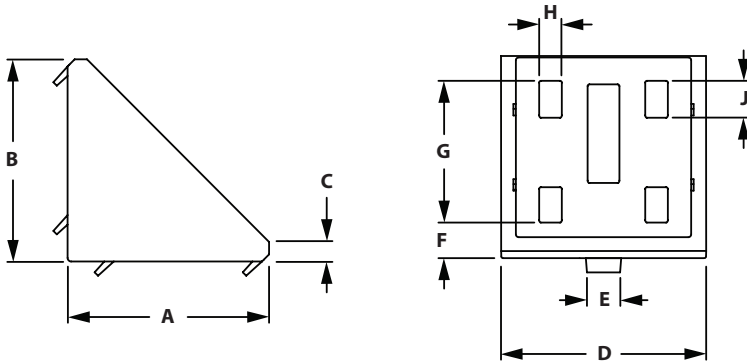
ITEM#	SERIES	ANODIZED FINISH	MATERIAL	A	B	C	D	E	F	G	H	J
653293	15	Clear	Aluminum	1.500"	1.500"	.250"	.750"	.655"	1.500"	.750"	5.810"	.328"

Recommended Fasteners (Mount to Slot)

ITEM#	SERIES	QTY.	BOLT	T-NUT
651129	15	8	5/16-18 x 11/16" FBHSCS	Economy

Gussets

8 Hole Alu Connection Gusset 60



*Only works with 45 Series profiles [670051](#) and [670052](#)

*Only works with 30 Series profile [670018](#)

Product Information

ITEM#	SERIES	ANODIZED FINISH	MATERIAL	A	B	C	D	E	F	G	H	J
671220	30 45	Plain	Die-Cast Aluminum	57.00mm	57.00mm	6.00mm	58.00mm	10.00mm	10.00mm	40.00mm	6.40mm	10.00mm

Recommended Fasteners (Mount to Slot)

ITEM#	SERIES	QTY.	BOLT	T-NUT
651702	30	4	M6 x 14mm SHCS	Self-Align Drop-In
651704	45	2	M8 x 25mm Hammer Head	Flange Nut

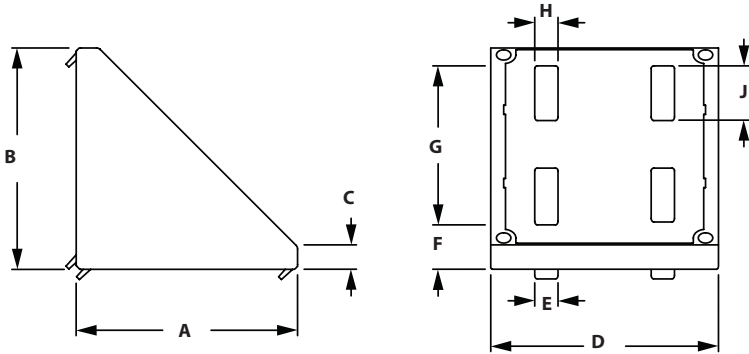
Cover Caps for Alu Connection Gussets

ITEM#	SERIES	MATERIAL
671228	45	Black Nylon PA



Gussets

8 Hole Alu Connection Gusset 90



Product Information

ITEM#	SERIES	ANODIZED FINISH	MATERIAL	A	B	C	D	E	F	G	H	J
671222	45	Plain	Die-Cast	86.00mm	86.00mm	10.00mm	88.00mm	10.00m	17.00mm	61.50mm	9.00mm	21.00mm
671223*			Aluminum	86.00mm	86.00mm	10.00mm	88.00mm	10.00m	17.00mm	61.50mm	9.00mm	21.00mm

* Item has fastening hardware included

Recommended Fasteners (Mount to Slot)

ITEM#	SERIES	QTY.	BOLT	T-NUT
651704	45	8	M8 x 25mm Hammer Head	Flange Nut

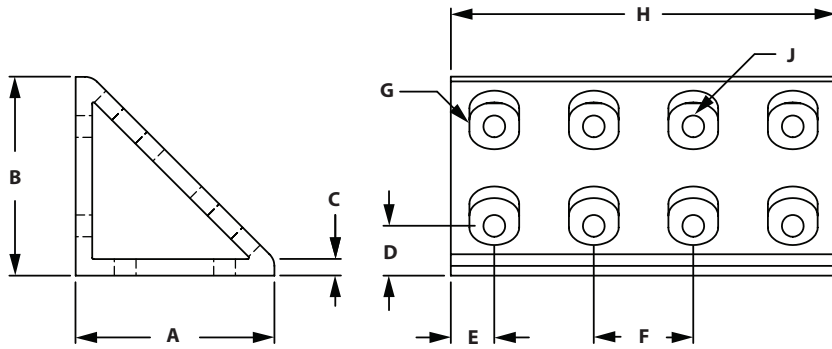
Cover Caps for Alu Connection Gussets

ITEM#	SERIES	MATERIAL
671229	45	Black Nylon PA



Gussets

16 Hole Inside Gusset



Product Information

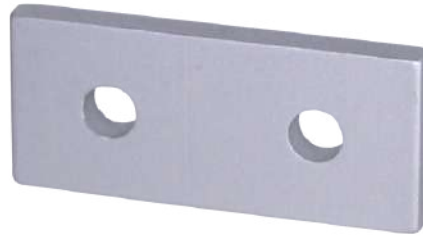
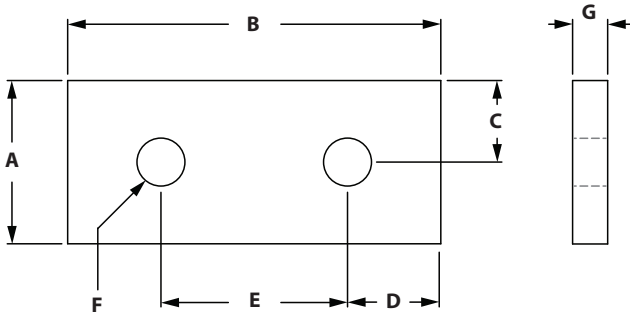
ITEM#	SERIES	ANODIZED FINISH	MATERIAL	A	B	C	D	E	F	G	H	J
653292	15	Clear	Aluminum	3.000"	3.000"	.250"	.750"	.655"	1.500"	.750"	5.810"	.328"

Recommended Fasteners (Mount to Slot)

ITEM#	SERIES	QTY.	BOLT	T-NUT
651129	15	16	5/16-18 x 11/16 FBHSCS	Economy

Joining Strips

2 Hole Joining Strip



Product Information

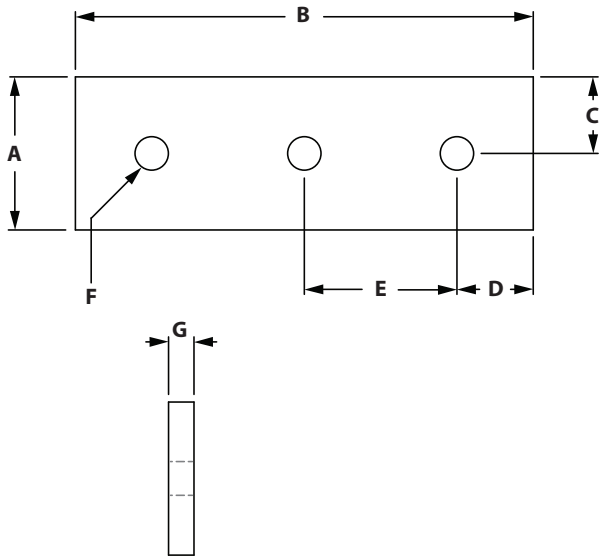
ITEM#	SERIES	ANODIZED FINISH	MATERIAL	A	B	C	D	E	F	G
653046	10	Clear	Aluminum	.875"	2.000"	.438"	.500"	1.000"	.257"	.188"
654046		Black		.875"	2.000"	.438"	.500"	1.000"	.257"	.188"
653141	15	Clear		1.500"	3.000"	.750"	.750"	1.500"	.328"	.250"
654141		Black		1.500"	3.000"	.750"	.750"	1.500"	.328"	.250"
671730	20	Clear		18.00mm	38.00mm	9.00mm	9.00mm	20.00mm	5.50mm	4.00mm
671690	30	Clear		27.00mm	57.00mm	13.50mm	13.50mm	30.00mm	7.00mm	5.00mm
664057	40	Clear		38.10mm	76.20mm	19.00mm	18.11mm	40.00mm	8.33mm	6.35mm
664157		Black		38.10mm	76.20mm	19.00mm	18.11mm	40.00mm	8.33mm	6.35mm
671691	45	Clear		41.00mm	86.00mm	20.50mm	20.50mm	45.00mm	9.00mm	6.00mm

Recommended Fasteners (Mount to Slot)

ITEM#	SERIES	QTY.	BOLT	T-NUT
651171	10	2	1/4-20 x 1/2" BHSCS	Economy
651129	15	2	5/16-18 x 11/16" FBHSCS	Economy
651709	20	2	M5 x 8mm BHSCS	Drop-In
651706	30	2	M6 x 12mm BHSCS	Hammer Nut
651506	40	2	M8 x 16mm BHSCS	Economy
651708	45	2	M8 x 18mm BHSCS	Hammer Nut

Joining Strips

3 Hole Joining Strip



Product Information

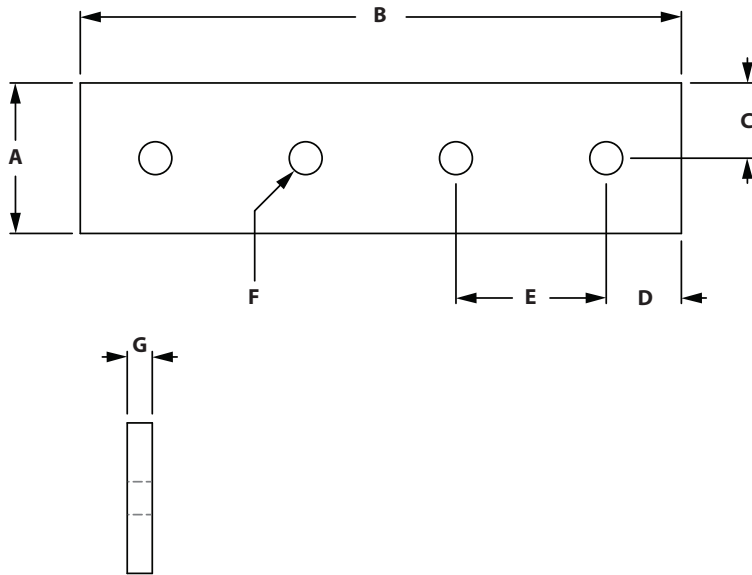
ITEM#	SERIES	ANODIZED FINISH	MATERIAL	A	B	C	D	E	F	G
653055	10	Clear	Aluminum	.875"	3.000"	.438"	.500"	1.000"	.257"	.188"
653140	15	Clear		1.500"	4.500"	.750"	.750"	1.500"	.328"	.250"
664041	40	Clear		38.10mm	120.00mm	19.00mm	20.00mm	40.00mm	8.33mm	6.35mm
699778	45	Clear		38.10mm	129.00mm	19.05mm	19.50mm	45.00mm	8.33mm	6.35mm

Recommended Fasteners (Mount to Slot)

ITEM#	SERIES	QTY.	BOLT	T-NUT
651171	10	3	1/4-20 x 1/2" BHSCS	Economy
651129	15	3	5/16-18 x 11/16" FBHSCS	Economy
651506	40	3	M8 x 16mm BHSCS	Economy
651708	45	3	M8 x 18mm BHSCS	Hammer Nut

Joining Strips

4 Hole Joining Strip



Product Information

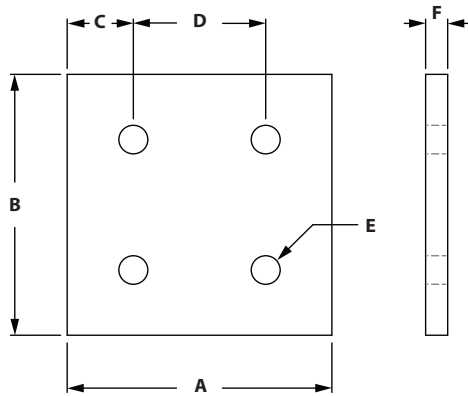
ITEM#	SERIES	ANODIZED FINISH	MATERIAL	A	B	C	D	E	F	G
653054	10	Clear	Aluminum	.874"	4.015"	.437"	.508"	1.000"	.275"	.188"
653139	15	Clear		1.500"	6.000"	.750"	.750"	1.500"	.328"	.250"
654139		Black		1.500"	6.000"	.750"	.750"	1.500"	.328"	.250"
671688	30	Clear		27.00mm	117.00mm	13.50mm	13.50mm	30.00mm	7.00mm	5.00mm
664050	40	Clear		38.10mm	140.00mm	19.00mm	20.00mm	40.00mm	8.33mm	6.35mm
671689	45	Clear		41.00mm	176.00mm	20.50mm	20.50mm	45.00mm	9.00mm	6.00mm

Recommended Fasteners (Mount to Slot)

ITEM#	SERIES	QTY.	BOLT	T-NUT
651171	10	4	1/4-20 x 1/2" BHSCS	Economy
651129	15	4	5/16-18 x 11/16" FBHSCS	Economy
651706	30	4	M6 x 12mm BHSCS	Hammer Nut
651506	40	4	M8 x 16mm BHSCS	Economy
651708	45	4	M8 x 18mm BHSCS	Hammer Nut

Joining Plates

4 Hole Joining Plate



Product Information

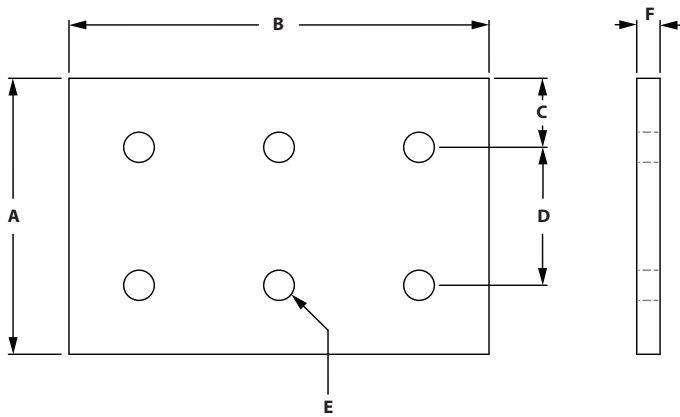
ITEM#	SERIES	ANODIZED FINISH	MATERIAL	A	B	C	D	E	F
653100	10	Clear	Aluminum	2.008"	2.008"	.504"	1.000"	.276"	.188"
653199	15	Clear		3.000"	3.000"	.750"	1.500"	.328"	.250"
654199		Black		3.000"	3.000"	.750"	1.500"	.328"	.250"
671692	30	Clear		57.00mm	57.00mm	13.50mm	30.00mm	7.00mm	5.00mm
664049	40	Clear		76.20mm	76.20mm	18.11mm	40.00mm	8.33mm	6.35mm
671693	45	Clear		86.00mm	86.00mm	20.50mm	45.00mm	9.00mm	6.00mm

Recommended Fasteners (Mount to Slot)

ITEM#	SERIES	QTY.	BOLT	T-NUT
651171	10	4	1/4-20 x 1/2" BHSCS	Economy
651129	15	4	5/16-18 x 11/16" FBHSCS	Economy
651706	30	4	M6 x 12mm BHSCS	Hammer Nut
651506	40	4	M8 x 16mm BHSCS	Economy
651708	45	4	M8 x 18mm BHSCS	Hammer Nut

Joining Plates

6 Hole Joining Plate



Product Information

ITEM#	SERIES	ANODIZED FINISH	MATERIAL	A	B	C	D	E	F
653099	10	Clear	Aluminum	2.008"	2.992"	.504"	1.000"	.276"	.188"
653198	15	Clear		3.000"	4.500"	.750"	1.500"	.328"	.250"

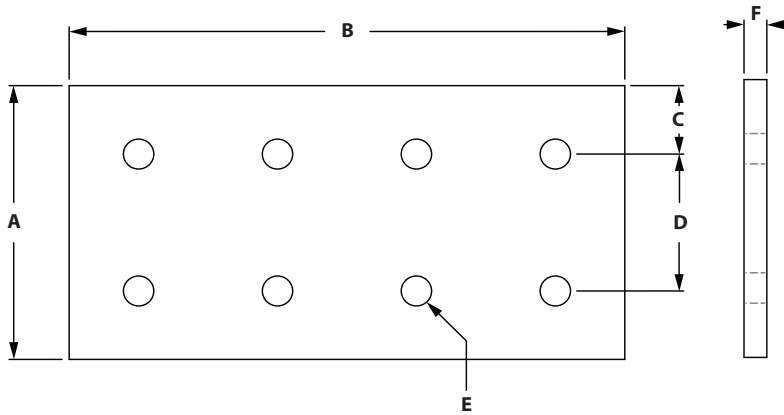
Recommended Fasteners (Mount to Slot)

ITEM#	SERIES	QTY.	BOLT	T-NUT
651171	10	6	1/4-20 x 1/2" BHSCS	Economy
651129	15	6	5/16-18 x 11/16" FBHSCS	Economy

Joining Plates

BRACKETS

8 Hole Joining Plate



Product Information

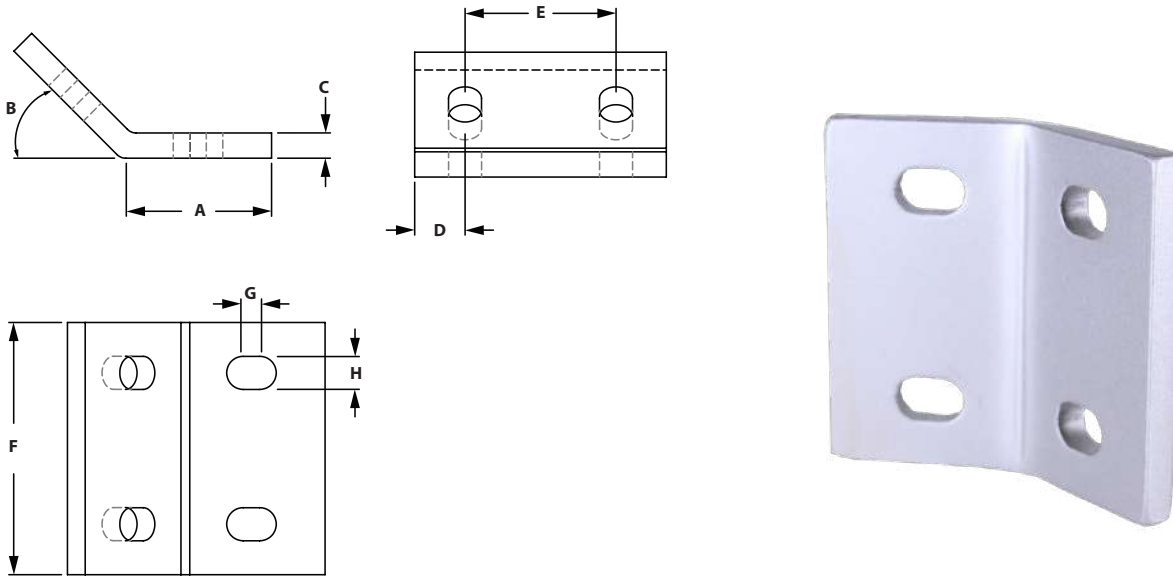
ITEM#	SERIES	ANODIZED FINISH	MATERIAL	A	B	C	D	E	F
653098	10	Clear	Aluminum	2.008"	4.016"	.504"	1.000"	.276"	.188"
653197	15	Clear		3.000"	6.000"	.750"	1.500"	.328"	.250"
654197		Black		3.000"	6.000"	.750"	1.500"	.328"	.250"
671694	30	Clear		57.00mm	117.00mm	13.50mm	30.00mm	7.00mm	5.00mm
659059	40	Clear		76.20mm	160.00mm	18.11mm	40.00mm	8.33mm	6.35mm
671695	45	Clear		86.00mm	176.00mm	20.50mm	45.00mm	9.00mm	6.00mm

Recommended Fasteners (Mount to Slot)

ITEM#	SERIES	QTY.	BOLT	T-NUT
651171	10	8	1/4-20 x 1/2" BHSCS	Economy
651129	15	8	5/16-18 x 11/16" FBHSCS	Economy
651706	30	8	M6 x 12mm BHSCS	Hammer Nut
651506	40	8	M8 x 16mm BHSCS	Economy
651708	45	8	M8 x 18mm BHSCS	Hammer Nut

Joining Plates

4 Hole 45° Angle Joining Plate



Product Information

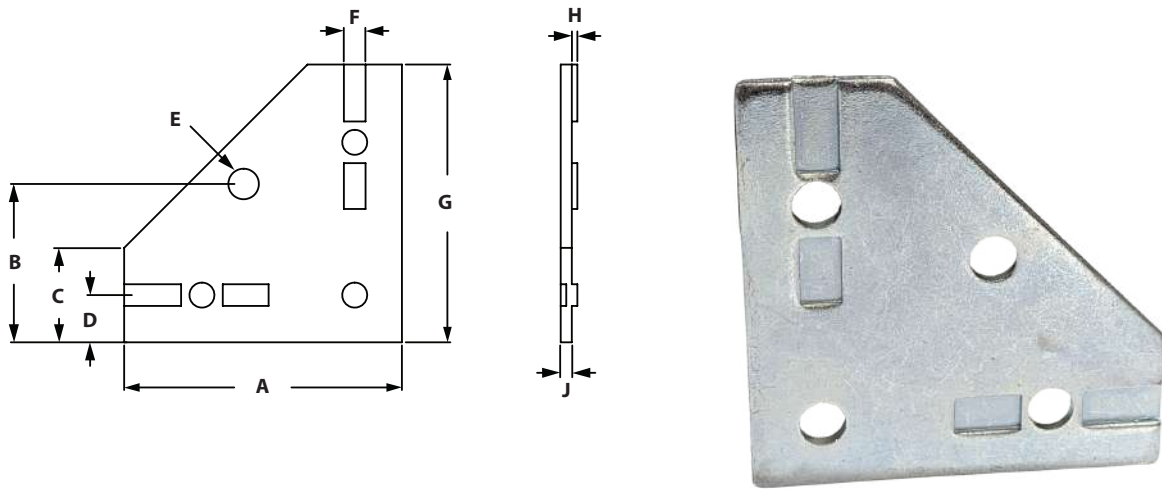
ITEM#	SERIES	ANODIZED FINISH	MATERIAL	A	B	C	D	E	F	G	H
653291	15	Clear	Aluminum	1.340"	45°	.250"	.500"	1.500"	2.500"	.500"	.328"

Recommended Fasteners (Mount to Slot)

ITEM#	SERIES	QTY.	BOLT	T-NUT
651129	15	4	5/16-18 x 11/16" FBHSCS	Economy

Joining Plates

4 Hole Joining Plate Steel



Product Information

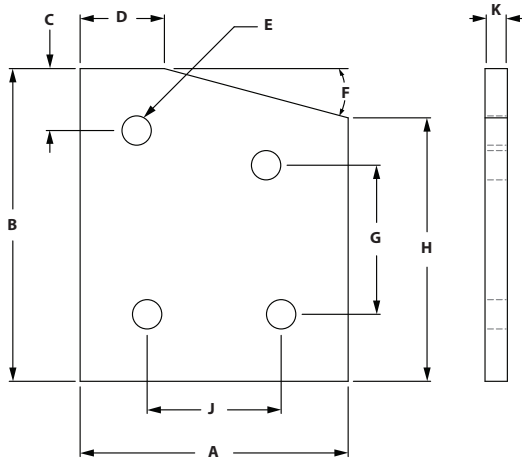
ITEM#	SERIES	FINISH	MATERIAL	A	B	C	D	E	F	G	H	J
671206	30	Zinc Plated	Steel	100.00mm	57.00mm	34.00mm	17.00mm	11.00mm	8.00mm	100.00mm	2.00mm	4.00mm
671207	45	Zinc Plated		100.00mm	57.00mm	34.00mm	17.00mm	11.00mm	10.00mm	100.00mm	2.00mm	4.00mm

Recommended Fasteners (Mount to Slot)

ITEM#	SERIES	QTY.	BOLT	T-NUT
651706	30	3	M6 x 12mm BHSCS	Hammer Nut
651707	45	3	M8 x 16mm BHSCS	Hammer Nut

Joining Plates

4 Hole 15° Joining Plate



Product Information

ITEM#	SERIES	ANODIZED FINISH	MATERIAL	A	B	C	D	E	F	G	H	J	K
653149	15	Clear	Aluminum	3.000"	3.500"	.750"	.943"	.354"	15°	1.617"	2.949"	1.500"	.250"

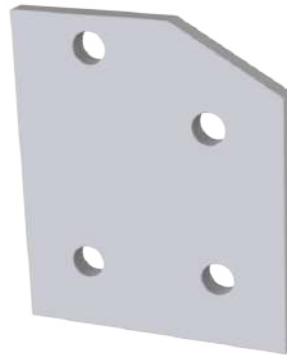
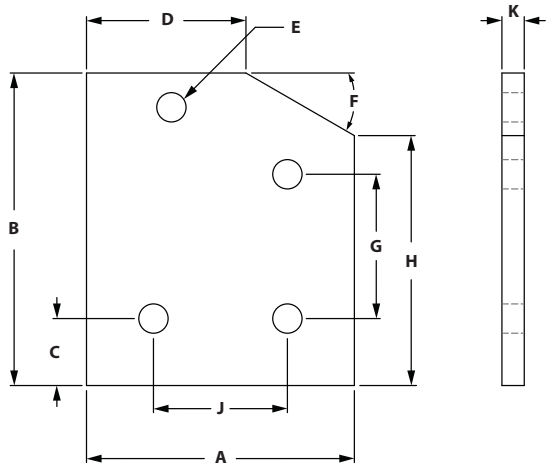
Recommended Fasteners (Mount to Slot)

ITEM#	SERIES	QTY.	BOLT	T-NUT
651129	15	4	5/16-18 x 11/16" FBHSCS	Economy

Joining Plates

4 Hole 30° Joining Plate

BRACKETS



Product Information

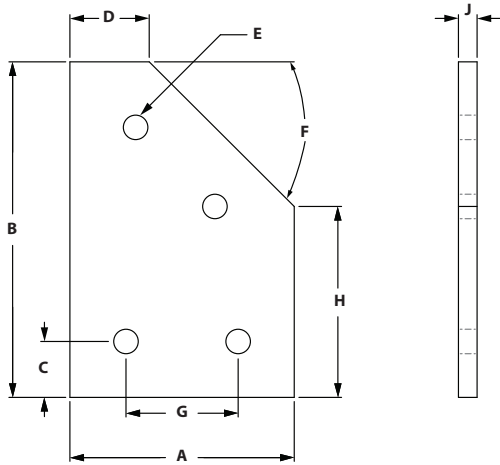
ITEM#	SERIES	ANODIZED FINISH	MATERIAL	A	B	C	D	E	F	G	H	J	K
653164	15	Clear	Aluminum	3.000"	3.500"	.750"	1.785"	.354"	30°	1.650"	2.799"	1.500"	.250"
654164		Black		3.000"	3.500"	.750"	1.786"	.328"	30°	1.616"	2.799"	1.500"	.250"

Recommended Fasteners (Mount to Slot)

ITEM#	SERIES	QTY.	BOLT	T-NUT
651129	15	4	5/16-18 x 11/16" FBHSCS	Economy

Joining Plates

4 Hole 45° Joining Plate



Product Information

ITEM#	SERIES	ANODIZED FINISH	MATERIAL	A	B	C	D	E	F	G	H	J
653178	15	Clear	Aluminum	3.000"	4.500"	.750"	1.061"	.328"	45°	1.500"	2.560"	.250"

Recommended Fasteners (Mount to Slot)

ITEM#	SERIES	QTY.	BOLT	T-NUT
651129	15	4	5/16-18 x 11/16" FBHSCS	Economy

Joining Plates

4 Hole 60° Joining Plate

BRACKETS



Product Information

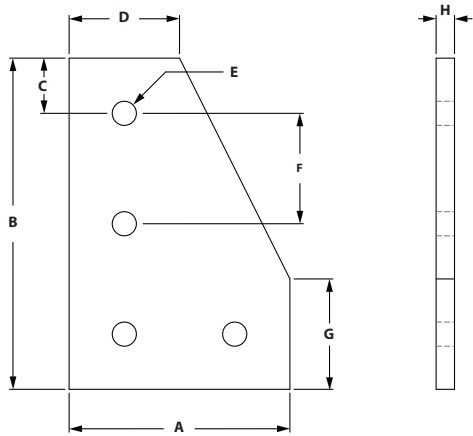
ITEM#	SERIES	ANODIZED FINISH	MATERIAL	A	B	C	D	E	F	G	H	J	K
653193	15	Clear	Aluminum	3.000"	4.500"	.750"	1.701"	.354"	60°	1.500"	2.250"	1.500"	.250"
654193		Black		3.000"	4.500"	.750"	1.701"	.354"	60°	1.500"	2.250"	1.500"	.250"

Recommended Fasteners (Mount to Slot)

ITEM#	SERIES	QTY.	BOLT	T-NUT
651129	15	4	5/16-18 x 11/16" FBHSCS	Economy

Joining Plates

4 Hole 90° Joining Plate



Product Information

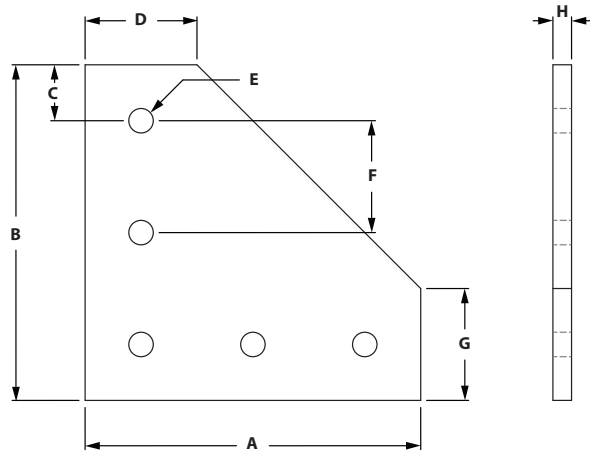
ITEM#	SERIES	ANODIZED FINISH	MATERIAL	A	B	C	D	E	F	G	H
653084	10	Clear	Aluminum	2.007"	2.992"	.496"	.984"	.276"	1.000"	.984"	.188"
653182	15	Clear		3.000"	4.500"	.750"	1.500"	.328"	1.500"	1.500"	.250"
664077	40	Clear		80.00mm	127.00mm	27.00mm	40.00mm	8.33mm	40.00mm	40.00mm	6.35mm

Recommended Fasteners (Mount to Slot)

ITEM#	SERIES	QTY.	BOLT	T-NUT
651171	10	4	1/4-20 x 1/2" BHSCS	Economy
651129	15	4	5/16-18 x 1/16" FBHSCS	Economy
651506	40	4	M8 x 16mm BHSCS	Economy

Joining Plates

5 Hole 90° Joining Plate



Product Information

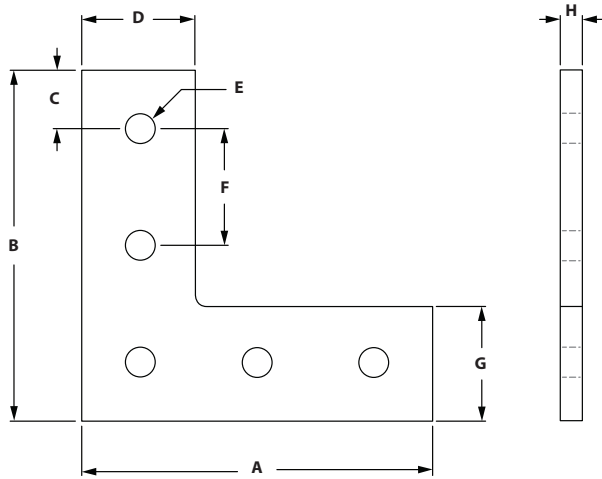
ITEM#	SERIES	ANODIZED FINISH	MATERIAL	A	B	C	D	E	F	G	H
653085	10	Clear	Aluminum	3.000"	3.000"	.500"	1.000"	.257"	1.000"	1.000"	.188"
654085		Black		3.000"	3.000"	.500"	1.000"	.257"	1.000"	1.000"	.188"
653183	15	Clear		4.500"	4.500"	.750"	1.500"	.328"	1.500"	1.500"	.250"
654183		Black		4.500"	4.500"	.750"	1.500"	.328"	1.500"	1.500"	.250"
671696	30	Clear		88.50mm	88.50mm	14.25mm	27.00mm	7.00mm	30.00mm	27.00mm	5.00mm
664029	40	Clear		127.00mm	127.00mm	27.00mm	40.00mm	8.33mm	40.00mm	40.00mm	6.35mm
671697	45	Clear		133.00mm	133.00mm	21.50mm	41.00mm	9.00mm	45.00mm	41.00mm	6.00mm

Recommended Fasteners (Mount to Slot)

ITEM#	SERIES	QTY.	BOLT	T-NUT
651171	10	5	1/4-20 x 1/2" BHSCS	Economy
651129	15	5	5/16-18 x 11/16" FBHSCS	Economy
651706	30	5	M6 x 12mm BHSCS	Hammer Nut
651506	40	5	M8 x 16mm BHSCS	Economy
651708	45	5	M8 x 18mm BHSCS	Hammer Nut

Joining Plates

5 Hole 90° "L" Joining Plate



Product Information

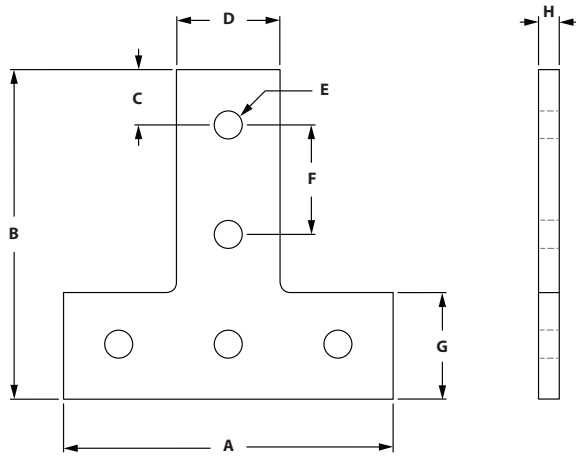
ITEM#	SERIES	ANODIZED FINISH	MATERIAL	A	B	C	D	E	F	G	H
658213	10	Clear	Aluminum	3.000"	3.000"	.500"	.971"	.257"	1.000"	.971"	.188"
658136	15	Clear		4.500"	4.500"	.750"	1.460"	.328"	1.500"	1.460"	.250"

Recommended Fasteners (Mount to Slot)

ITEM#	SERIES	QTY.	BOLT	T-NUT
651171	10	5	1/4-20 x 1/2" BHSCS	Economy
651129	15	5	5/16-18 x 11/16" FBHSCS	Economy

Joining Plates

5 Hole 90° "T" Joining Plate



Product Information

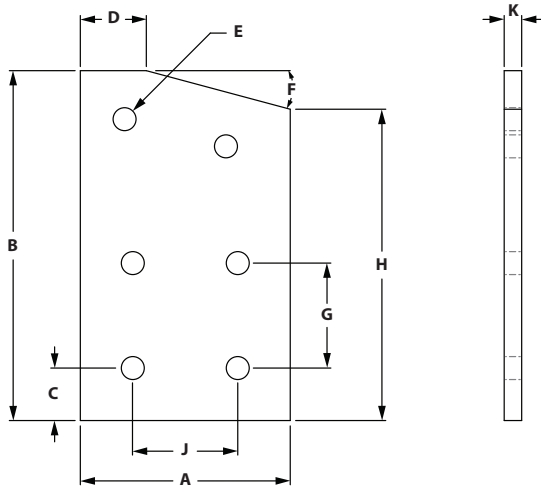
ITEM#	SERIES	ANODIZED FINISH	MATERIAL	A	B	C	D	E	F	G	H
658829	15	Clear	Aluminum	4.488"	4.488"	.744"	1.496"	354"	1.500"	1.496"	.250"

Recommended Fasteners (Mount to Slot)

ITEM#	SERIES	QTY.	BOLT	T-NUT
651129	15	5	5/16-18 x 11/16" FBHSCS	Economy

Joining Plates

6 Hole 15° Joining Plate



Product Information

ITEM#	SERIES	ANODIZED FINISH	MATERIAL	A	B	C	D	E	F	G	H	J	K
653148	15	Clear	Aluminum	3.000"	5.000"	.750"	.944"	.354"	15°	1.500"	4.449"	1.500"	.250"

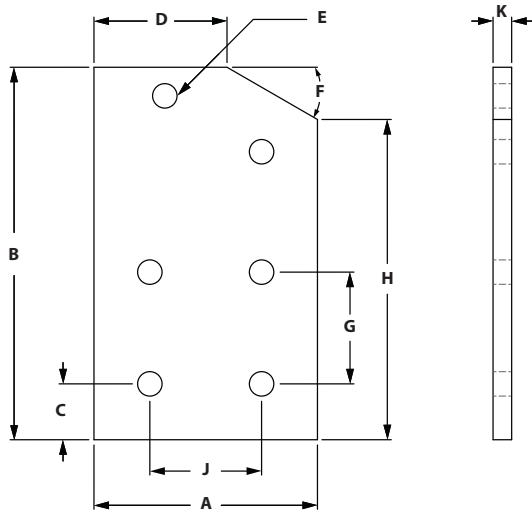
Recommended Fasteners (Mount to Slot)

ITEM#	SERIES	QTY.	BOLT	T-NUT
651129	15	6	5/16-18 x 11/16" FBHSCS	Economy

Joining Plates

6 Hole 30° Joining Plate

BRACKETS



Product Information

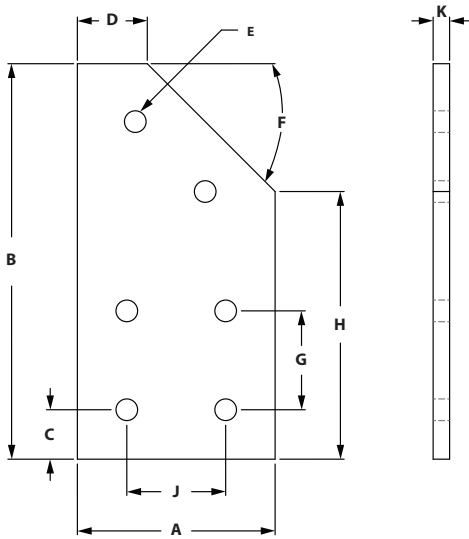
ITEM#	SERIES	ANODIZED FINISH	MATERIAL	A	B	C	D	E	F	G	H	J	K
653163	15	Clear	Aluminum	3.000"	5.000"	.750"	1.766"	.328"	30°	1.500"	4.299"	1.500"	.250"

Recommended Fasteners (Mount to Slot)

ITEM#	SERIES	QTY.	BOLT	T-NUT
651129	15	6	5/16-18 x 11/16" FBHSCS	Economy

Joining Plates

6 Hole 45° Joining Plate



Product Information

ITEM#	SERIES	ANODIZED FINISH	MATERIAL	A	B	C	D	E	F	G	H	J	K
653177	15	Clear	Aluminum	3.000"	6.000"	.750"	1.061"	.328"	45°	1.500"	4.061"	1.500"	.250"
654177		Black		3.000"	6.000"	.750"	1.061"	.328"	45°	1.500"	4.061"	1.500"	.250"

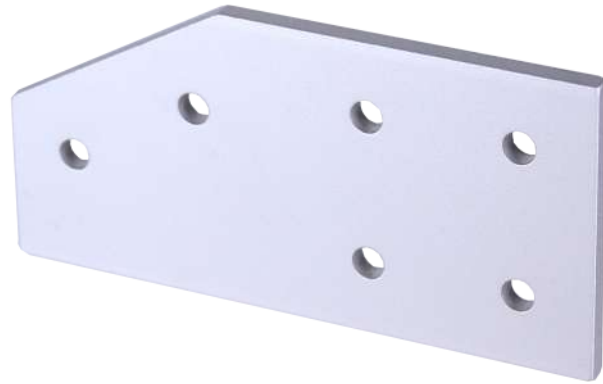
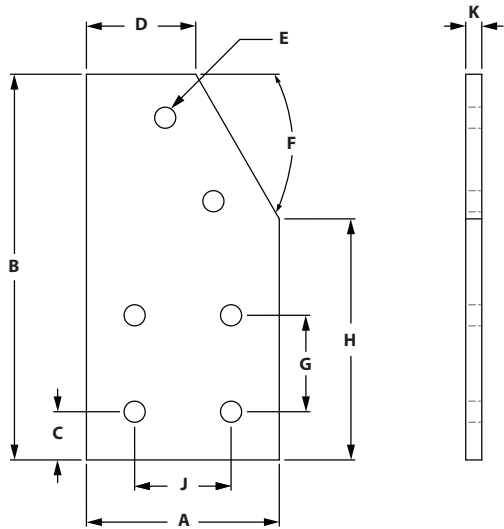
Recommended Fasteners (Mount to Slot)

ITEM#	SERIES	QTY.	BOLT	T-NUT
651129	15	6	5/16-18 x 11/16" FBHSCS	Economy

Joining Plates

6 Hole 60° Joining Plate

BRACKETS



Product Information

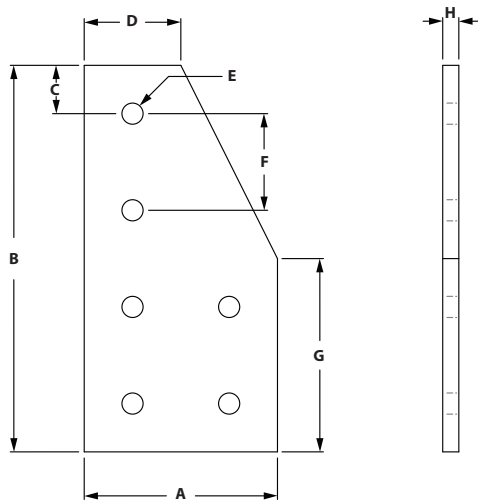
ITEM#	SERIES	ANODIZED FINISH	MATERIAL	A	B	C	D	E	F	G	H	J	K
653194	15	Clear	Aluminum	3.000"	6.000"	.750"	1.701"	.328"	60°	1.500"	3.750"	1.500"	.250"

Recommended Fasteners (Mount to Slot)

ITEM#	SERIES	QTY.	BOLT	T-NUT
651129	15	6	5/16-18 x 11/16" FBHSCS	Economy

Joining Plates

6 Hole 90° Joining Plate



Product Information

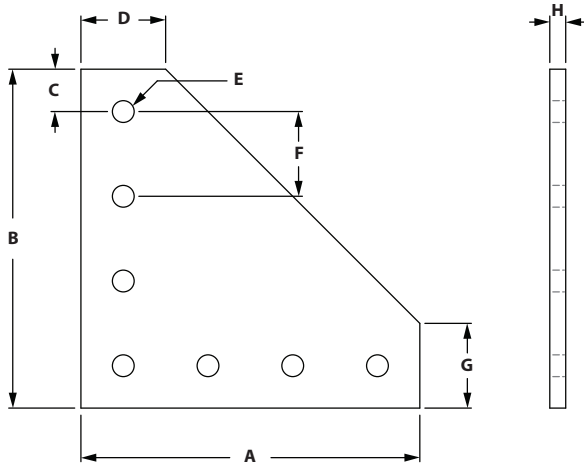
ITEM#	SERIES	ANODIZED FINISH	MATERIAL	A	B	C	D	E	F	G	H
653057	10	Clear	Aluminum	2.000"	4.000"	.500"	1.000"	.257"	1.000"	2.000"	.188"
653153	15	Clear		3.000"	6.000"	.750"	1.500"	.328"	1.500"	3.000"	.250"
682825	40	Clear		80.00mm	160.00mm	27.00mm	40.00mm	8.33mm	40.00mm	80.00mm	6.35mm

Recommended Fasteners (Mount to Slot)

ITEM#	SERIES	QTY.	BOLT	T-NUT
651171	10	6	1/4-20 x 1/2" BHSCS	Economy
651129	15	6	5/16-18 x 1/16" FBHSCS	Economy
651506	40	6	M8 x 16mm BHSCS	Economy

Joining Plates

7 Hole 90° Joining Plate



Product Information

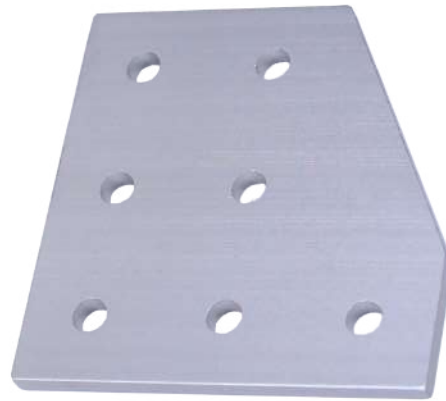
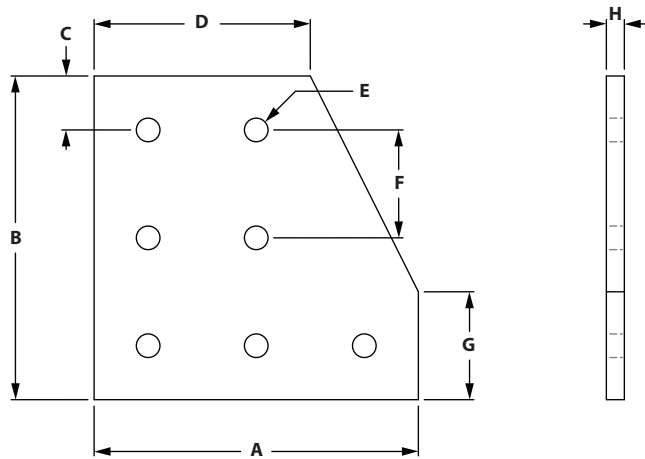
ITEM#	SERIES	ANODIZED FINISH	MATERIAL	A	B	C	D	E	F	G	H
653086	10	Clear	Aluminum	4.016"	4.016"	.500"	.984"	.276"	1.000"	.984"	.188"
653184	15	Clear		6.000"	6.000"	.750"	1.500"	.328"	1.500"	1.500"	.250"
664079	40	Clear		152.40mm	152.40mm	20.00mm	36.20mm	8.33mm	40.00mm	36.20mm	6.35mm

Recommended Fasteners (Mount to Slot)

ITEM#	SERIES	QTY.	BOLT	T-NUT
651171	10	7	1/4-20 x 1/2" BHSCS	Economy
651129	15	7	5/16-18 x 1/16" FBHSCS	Economy
651506	40	7	M8 x 16mm BHSCS	Economy

Joining Plates

7 Hole 90° Double Joining Plate



Product Information

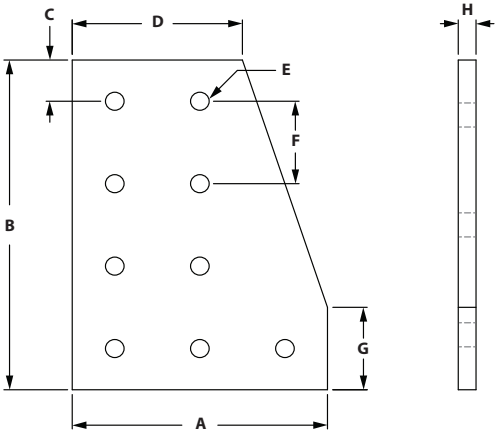
ITEM#	SERIES	ANODIZED FINISH	MATERIAL	A	B	C	D	E	F	G	H
653066	10	Clear	Aluminum	2.992"	2.992"	.496"	2.008"	.276"	1.000"	.984"	.188"
653162	15	Clear		4.488"	4.488"	.774"	2.992"	.354"	1.500"	1.496"	.250"

Recommended Fasteners (Mount to Slot)

ITEM#	SERIES	QTY.	BOLT	T-NUT
651171	10	7	1/4-20 x 1/2" BHSCS	Economy
651129	15	7	5/16-18 x 11/16" FBHSCS	Economy

Joining Plates

9 Hole 90° Joining Plate



Product Information

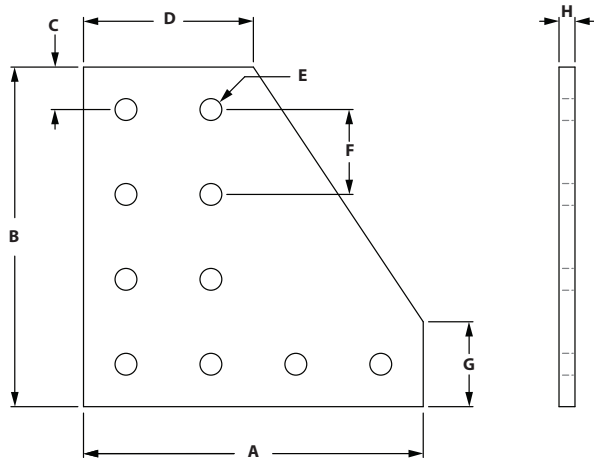
ITEM#	SERIES	ANODIZED FINISH	MATERIAL	A	B	C	D	E	F	G	H
653159	15	Clear	Aluminum	4.500"	6.000"	.750"	3.000"	.328"	1.500"	1.500"	.250"

Recommended Fasteners (Mount to Slot)

ITEM#	SERIES	QTY.	BOLT	T-NUT
651129	15	9	5/16-18 x 11/16" FBHSCS	Economy

Joining Plates

10 Hole 90° Joining Plate



Product Information

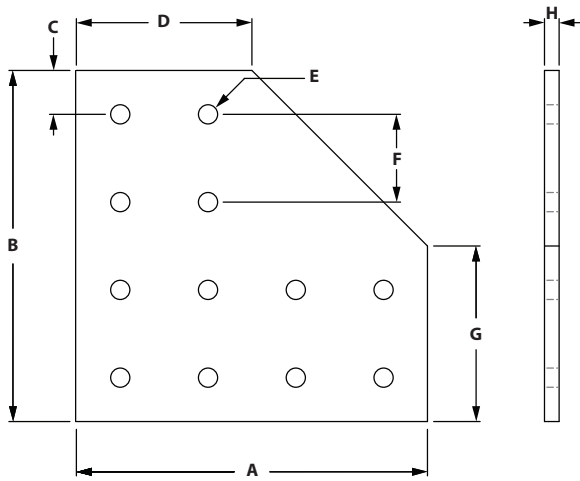
ITEM#	SERIES	ANODIZED FINISH	MATERIAL	A	B	C	D	E	F	G	H
653064	10	Clear	Aluminum	4.000"	4.000"	.500"	2.000"	.257"	1.000"	1.000"	.188"
653160	15	Clear		6.000"	6.000"	.750"	3.000"	.328"	1.500"	1.500"	.250"

Recommended Fasteners (Mount to Slot)

ITEM#	SERIES	QTY.	BOLT	T-NUT
651171	10	10	1/4-20 x 1/2" BHSCS	Economy
651129	15	10	5/16-18 x 11/16" FBHSCS	Economy

Joining Plates

12 Hole 90° Joining Plate



Product Information

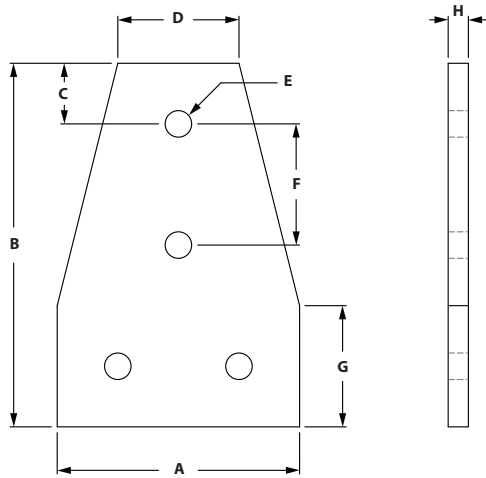
ITEM#	SERIES	ANODIZED FINISH	MATERIAL	A	B	C	D	E	F	G	H
653065	10	Clear	Aluminum	4.016"	4.016"	.508"	2.008"	.275"	1.000"	2.008"	.188"
653161	15	Clear		5.984"	5.984"	.742"	2.992"	.354"	1.500"	2.992"	.250"
654161		Black		6.000"	6.000"	.750"	3.000"	.328"	1.500"	3.000"	.250"
664053	40	Clear		152.40mm	152.40mm	12.40mm	76.20mm	8.33mm	40.00mm	76.20mm	6.35mm

Recommended Fasteners (Mount to Slot)

ITEM#	SERIES	QTY.	BOLT	T-NUT
651171	10	12	1/4-20 x 1/2" BHSCS	Economy
651129	15	12	5/16-18 x 11/16" FBHSCS	Economy
651506	40	12	M8 x 16mm BHSCS	Economy

Tee Joining Plates

4 Hole Tee Joining Plate



Product Information

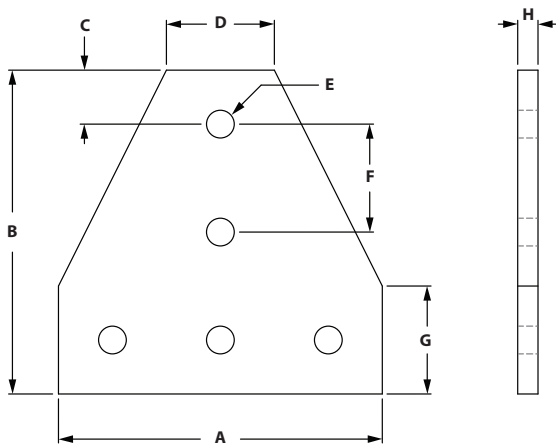
ITEM#	SERIES	ANODIZED FINISH	MATERIAL	A	B	C	D	E	F	G	H
653078	10	Clear	Aluminum	2.008"	2.992"	.496"	.984"	.276"	1.000"	.984"	.188"
653174	15	Clear		3.000"	4.500"	.750"	1.500"	.328"	1.500"	1.500"	.250"
654174		Black		3.000"	4.500"	.750"	1.500"	.328"	1.500"	1.500"	.250"

Recommended Fasteners (Mount to Slot)

ITEM#	SERIES	QTY.	BOLT	T-NUT
651171	10	4	1/4-20 x 1/2" BHSCS	Economy
651129	15	4	5/16-18 x 1/16" FBHSCS	Economy

Tee Joining Plates

5 Hole Tee Joining Plate



Product Information

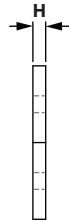
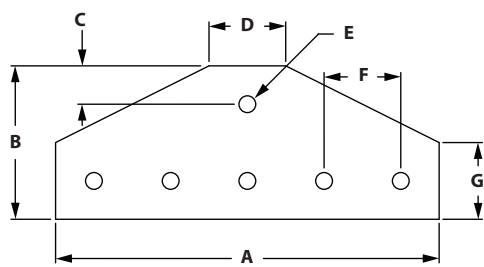
ITEM#	SERIES	ANODIZED FINISH	MATERIAL	A	B	C	D	E	F	G	H
653077	10	Clear	Aluminum	3.000"	3.000"	.500"	1.000"	.257"	1.000"	1.000"	.188"
653173	15	Clear		4.488"	4.488"	.744"	1.496"	.354"	1.500"	1.496"	.250"
671700	30	Clear		87.00mm	87.00mm	13.50mm	27.00mm	7.00mm	30.00mm	27.00mm	5.00mm
664051	40	Clear		114.30mm	114.30mm	17.10mm	38.10mm	8.33mm	40.00mm	38.10mm	6.35mm
671701	45	Clear		131.00mm	131.00mm	20.50mm	41.00mm	9.00mm	45.00mm	41.00mm	6.00mm

Recommended Fasteners (Mount to Slot)

ITEM#	SERIES	QTY.	BOLT	T-NUT
651171	10	5	1/4-20 x 1/2" BHSCS	Economy
651129	15	5	5/16-18 x 11/16" FBHSCS	Economy
651706	30	5	M6 x 12mm BHSCS	Hammer Nut
651506	40	5	M8 x 16mm BHSCS	Economy
651708	45	5	M8 x 18mm BHSCS	Hammer Nut

Tee Joining Plates

6 Hole Tee Joining Plate



Product Information

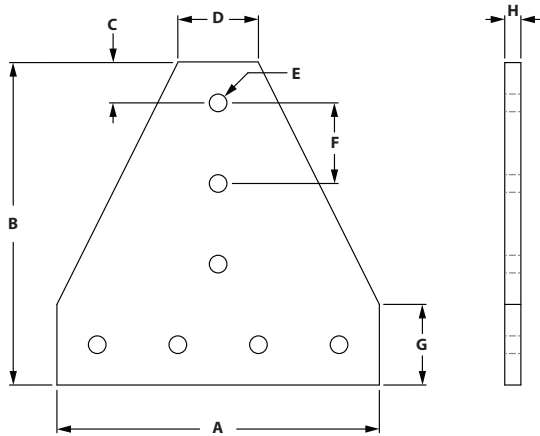
ITEM#	SERIES	ANODIZED FINISH	MATERIAL	A	B	C	D	E	F	G	H
653144	15	Clear	Aluminum	7.480"	1.496"	.748"	1.500"	.354"	1.500"	1.496"	.250

Recommended Fasteners (Mount to Slot)

ITEM#	SERIES	QTY.	BOLT	T-NUT
651129	15	6	5/16-18 x 11/16" FBHSCS	Economy

Tee Joining Plates

7 Hole Tee Joining Plate



Product Information

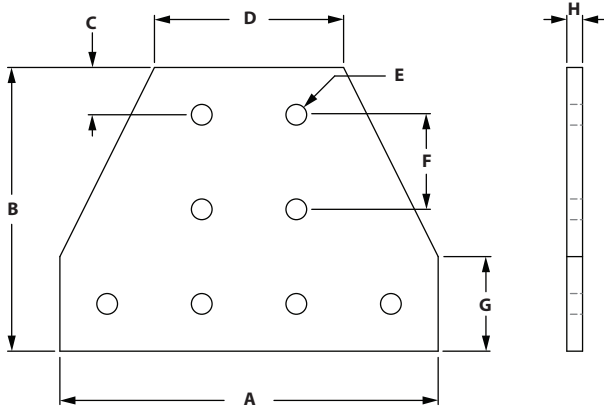
ITEM#	SERIES	ANODIZED FINISH	MATERIAL	A	B	C	D	E	F	G	H
653049	10	Clear	Aluminum	4.016"	4.016"	.508"	.984"	.276"	1.000"	.984"	.188"
653146	15	Clear		5.984"	5.984"	.742"	1.496"	.354"	1.500"	1.496"	.250"
664080	40	Clear		152.40mm	152.40mm	16.20mm	40.00mm	8.33mm	40.00mm	40.00mm	6.35mm

Recommended Fasteners (Mount to Slot)

ITEM#	SERIES	QTY.	BOLT	T-NUT
651171	10	7	1/4-20 x 1/2" BHSCS	Economy
651129	15	7	5/16-18 x 11/16" FBHSCS	Economy
651506	40	7	M8 x 16mm BHSCS	Economy

Tee Joining Plates

8 Hole Tee Joining Plate



Product Information

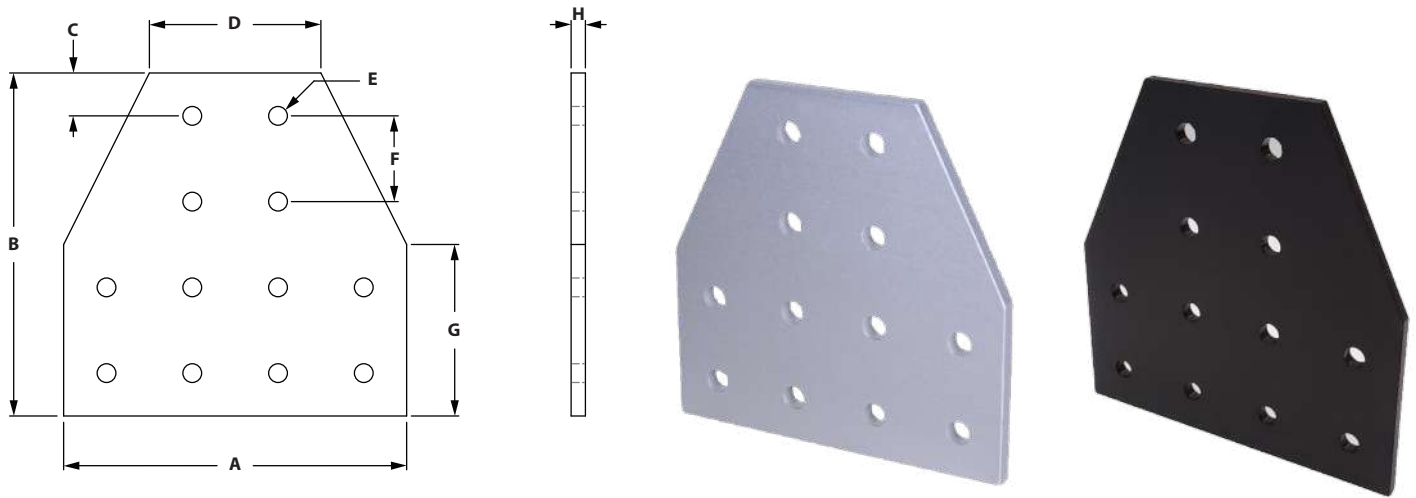
ITEM#	SERIES	ANODIZED FINISH	MATERIAL	A	B	C	D	E	F	G	H
653089	10	Clear	Aluminum	4.016"	2.992"	.496"	2.008"	.276"	1.000"	.984"	.188"
653187	15	Clear		5.984"	4.488"	.742"	2.992"	.354"	1.500"	1.496"	.250"

Recommended Fasteners (Mount to Slot)

ITEM#	SERIES	QTY.	BOLT	T-NUT
651171	10	8	1/4-20 x 1/2" BHSCS	Economy
651129	15	8	5/16-18 x 11/16" FBHSCS	Economy

Tee Joining Plates

12 Hole Tee Joining Plate



Product Information

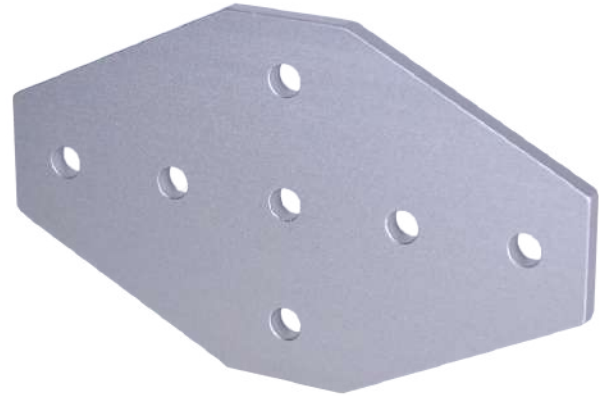
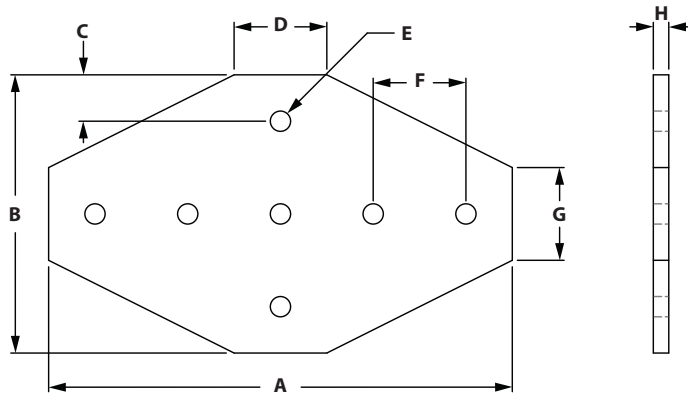
ITEM#	SERIES	ANODIZED FINISH	MATERIAL	A	B	C	D	E	F	G	H
653062	10	Clear	Aluminum	4.016"	4.016"	.508"	2.007"	.276"	1.000"	2.007"	.188"
653158	15	Clear		5.984"	5.984"	.742"	2.992"	.354"	1.500"	2.992"	.250"
654158		Black		6.000"	6.000"	.750"	3.000"	.328"	1.500"	3.000"	.250"
664054	40	Clear		152.40mm	152.40mm	16.20mm	76.20mm	8.33mm	40.00mm	76.20mm	6.35mm

Recommended Fasteners (Mount to Slot)

ITEM#	SERIES	QTY.	BOLT	T-NUT
651171	10	12	1/4-20 x 1/2" BHSCS	Economy
651129	15	12	5/16-18 x 11/16" FBHSCS	Economy
651506	40	12	M8 x 16mm BHSCS	Economy

Tee Joining Plates

7 Hole Cross Plate



Product Information

ITEM#	SERIES	ANODIZED FINISH	MATERIAL	A	B	C	D	E	F	G	H
653072	10	Clear	Aluminum	5.000"	2.992"	.488"	.984"	.276"	1.000"	.984"	.188"
653168	15	Clear		7.480"	4.488"	.740"	1.496"	.354"	1.500"	1.496"	.250"

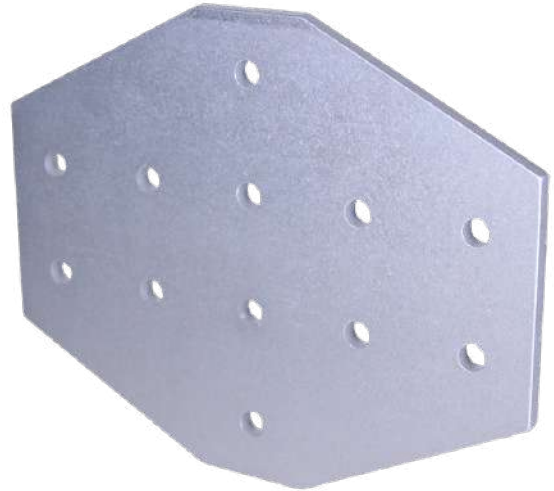
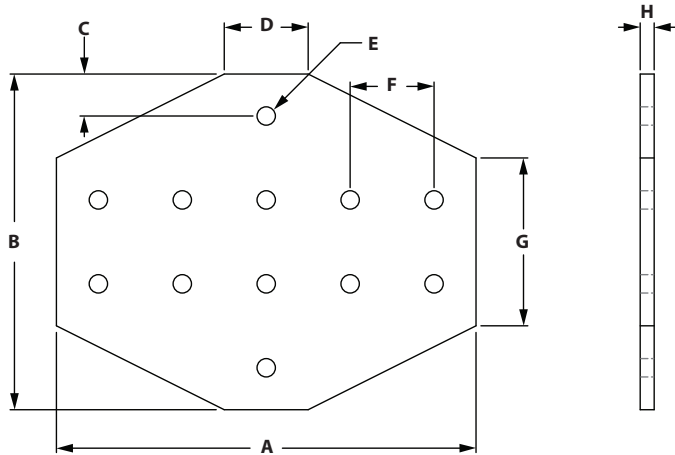
Recommended Fasteners (Mount to Slot)

ITEM#	SERIES	QTY.	BOLT	T-NUT
651171	10	7	1/4-20 x 1/2" BHSCS	Economy
651129	15	7	5/16-18 x 11/16" FBHSCS	Economy

Cross Plates

12 Hole Cross Plate

BRACKETS



Product Information

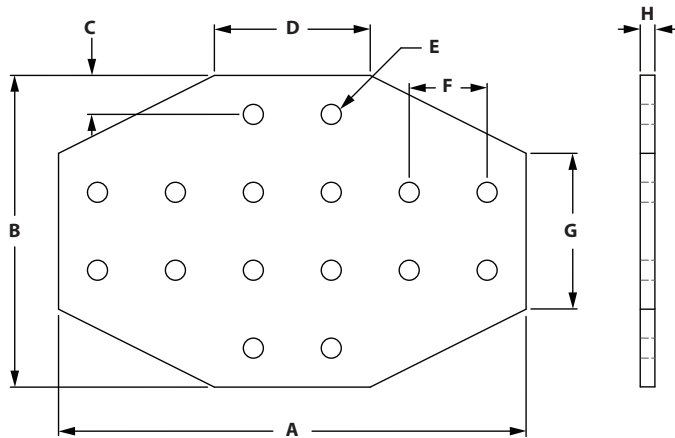
ITEM#	SERIES	ANODIZED FINISH	MATERIAL	A	B	C	D	E	F	G	H
653094	10	Clear	Aluminum	5.000"	4.016"	.508"	.984"	.276"	1.000"	2.008"	.188"
653192	15	Clear		7.480"	5.984"	.740"	1.496"	.354"	1.500"	2.992"	.250"

Recommended Fasteners (Mount to Slot)

ITEM#	SERIES	QTY.	BOLT	T-NUT
651171	10	12	1/4-20 x 1/2" BHSCS	Economy
651129	15	12	5/16-18 x 11/16" FBHSCS	Economy

Cross Plates

16 Hole Cross Plate



Product Information

ITEM#	SERIES	ANODIZED FINISH	MATERIAL	A	B	C	D	E	F	G	H
653103	10	Clear	Aluminum	5.984"	4.016"	.508"	2.008"	.276"	1.000"	2.008"	.188"
653200	15	Clear		8.976"	5.984"	.742"	2.992"	.354"	1.500"	2.992"	.250"
654200		Black		9.000"	6.000"	.750"	3.000"	.328"	1.500"	3.000"	.250"

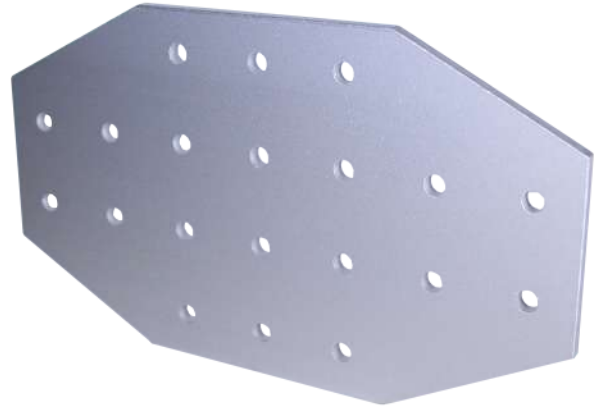
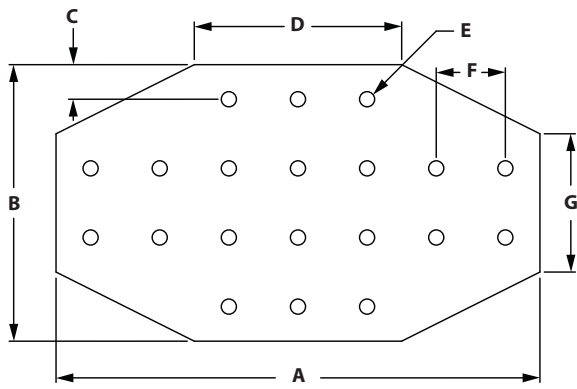
Recommended Fasteners (Mount to Slot)

ITEM#	SERIES	QTY.	BOLT	T-NUT
651171	10	16	1/4-20 x 1/2" BHSCS	Economy
651129	15	16	5/16-18 x 1/16" FBHSCS	Economy

Cross Plates

20 Hole Cross Plate

BRACKETS



Product Information

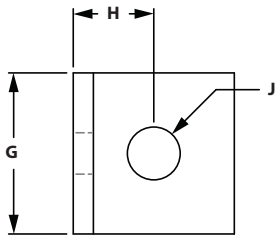
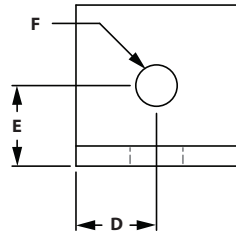
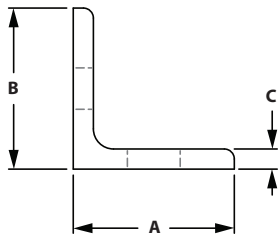
ITEM#	SERIES	ANODIZED FINISH	MATERIAL	A	B	C	D	E	F	G	H
653243	15	Clear	Aluminum	10.500"	6.000"	.750"	4.500"	.328"	1.500"	3.000"	.250"

Recommended Fasteners (Mount to Slot)

ITEM	SERIES	QTY.	BOLT	T-NUT
651129	15	20	5/16-18 x 11/16" FBHSCS	Economy

Transition Brackets

2 Hole 10 to 15 Transition Inside Corner Bracket



Product Information

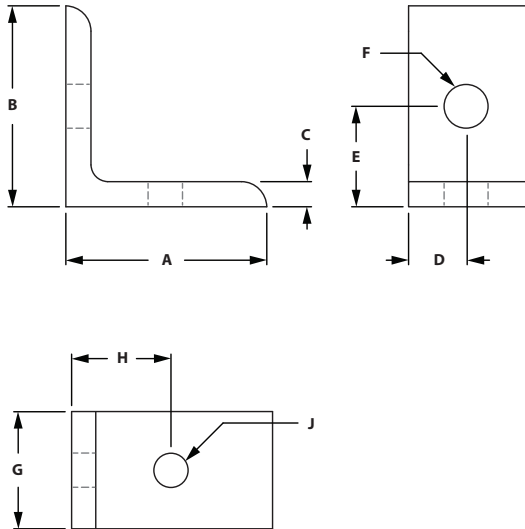
ITEM#	SERIES	ANODIZED FINISH	MATERIAL	A	B	C	D	E	F	G	H	J
653272	10 to 15	Clear	Aluminum	1.000"	1.000"	.125"	.500"	.500"	.257"	1.000"	.500"	.328"
654272		Black		1.000"	1.000"	.125"	.500"	.500"	.257"	1.000"	.500"	.328"

Recommended Fasteners (Mount to Slot)

ITEM#	SERIES	QTY.	BOLT	T-NUT
651679	10	1	1/4-20 x 3/8" BHSCS	Economy
651191	15	1	5/16-18 x 1/2" BHSCS	Economy

Transition Brackets

2 Hole Vertical 10 to 15 Transition Inside Corner Bracket



Product Information

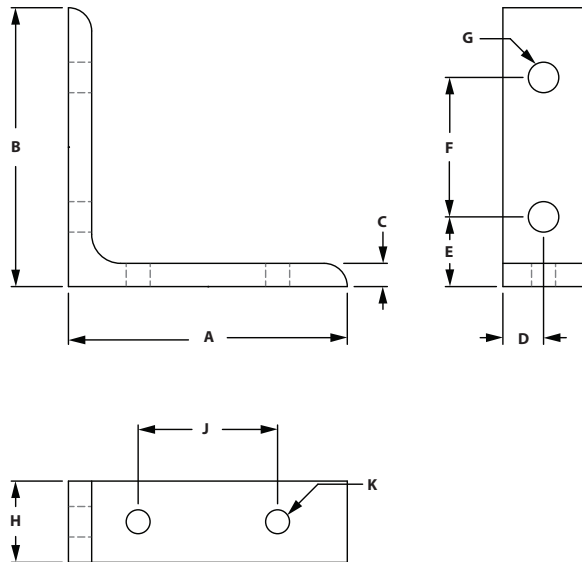
ITEM#	SERIES	ANODIZED FINISH	MATERIAL	A	B	C	D	E	F	G	H	J
653268	10 to 15	Clear	Aluminum	1.500"	1.500"	.188"	.438"	.750"	.328"	.875"	.750"	.257"

Recommended Fasteners (Mount to Slot)

ITEM#	SERIES	QTY.	BOLT	T-NUT
651171	10	1	1/4-20 x 1/2" BHSCS	Economy
651150	15	1	5/16-18 x 5/8" BHSCS	Economy

Transition Brackets

4 Hole Vertical 10 to 15 Transition Inside Corner Bracket



Product Information

ITEM#	SERIES	ANODIZED FINISH	MATERIAL	A	B	C	D	E	F	G	H	J	K
653269	10 to 15	Clear	Aluminum	3.000"	3.000"	.250"	.438"	.750"	1.500"	.328"	.875"	1.500"	.257"

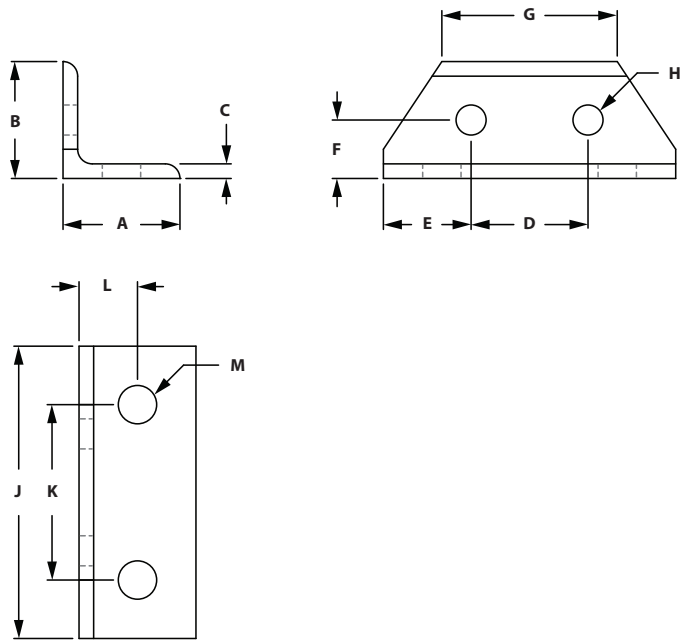
Recommended Fasteners (Mount to Slot)

ITEM#	SERIES	QTY.	BOLT	T-NUT
651171	10	2	1/4-20 x 1/2" BHSCS	Economy
651129	15	2	5/16-18 x 11/16" FBHSCS	Economy

Transition Brackets

4 Hole Small 10 to 15 Double Wide Transition Corner Bracket

BRACKETS



Product Information

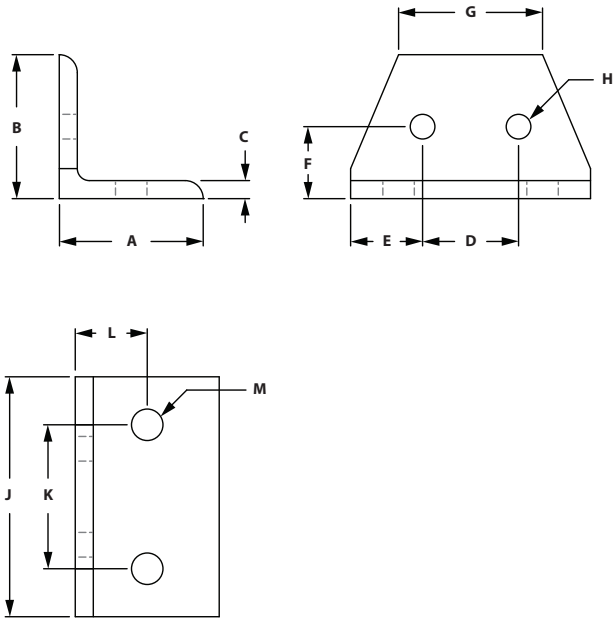
ITEM#	SERIES	ANODIZED FINISH	MATERIAL	A	B	C	D	E	F	G	H	J	K	L	M
653274	10 to 15	Clear	Aluminum	1.000"	1.000"	.125"	1.000"	.750"	.500"	1.500"	.257"	2.500"	1.500"	.500"	.328"

Recommended Fasteners (Mount to Slot)

ITEM#	SERIES	QTY.	BOLT	T-NUT
651679	10	2	1/4-20 x 3/8" BHSCS	Economy
651191	15	2	5/16-18 x 1/2" BHSCS	Economy

Transition Brackets

4 Hole Large 10 to 15 Double Wide Transition Corner Bracket



Product Information

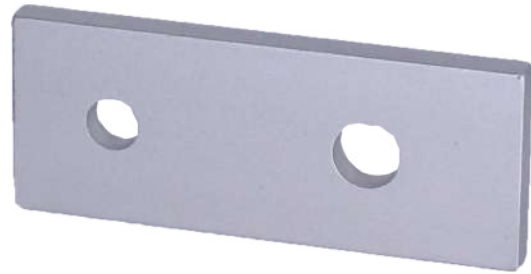
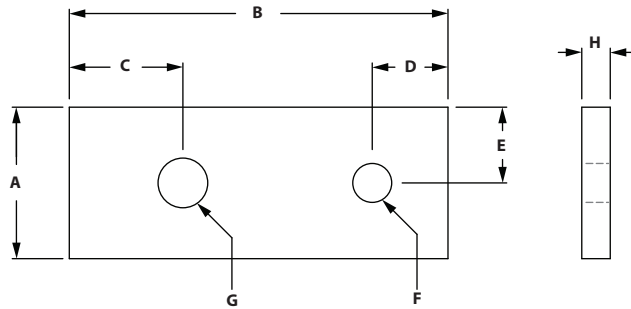
ITEM#	SERIES	ANODIZED FINISH	MATERIAL	A	B	C	D	E	F	G	H	J	K	L	M
653275	10 to 15	Clear	Aluminum	1.500"	1.500"	.188"	1.000"	.750"	.750"	1.500"	.257"	2.500"	1.500"	.750"	.328"

Recommended Fasteners (Mount to Slot)

ITEM#	SERIES	QTY.	BOLT	T-NUT
651171	10	2	1/4-20 x 1/2" BHSCS	Economy
651150	15	2	5/16-18 x 5/8" BHSCS	Economy

Transition Joining Strips

2 Hole Transition Strip



Product Information

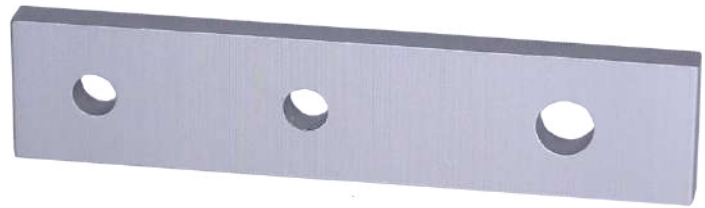
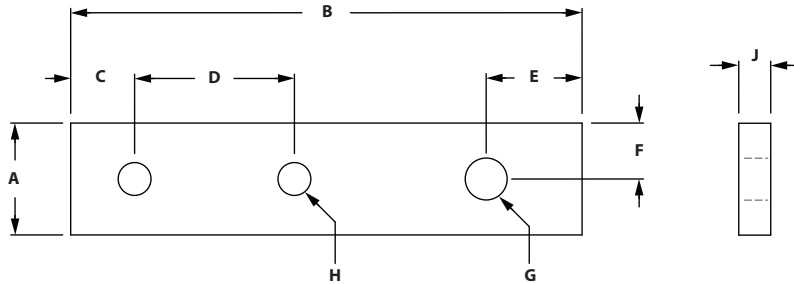
ITEM#	SERIES	ANODIZED FINISH	MATERIAL	A	B	C	D	E	F	G	H
653273	10 to 15	Clear	Aluminum	1.000"	2.500"	.750"	.500"	.500"	.257"	.328"	.188"

Recommended Fasteners (Mount to Slot)

ITEM#	SERIES	QTY.	BOLT	T-NUT
651171	10	1	1/4-20 x 1/2" BHSCS	Economy
651129	15	1	5/16-18 x 11/16" BHSCS	Economy

Transition Joining Strips

3 Hole Small Transition Strip



Product Information

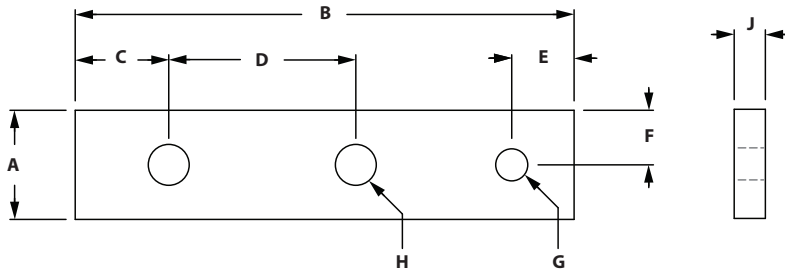
ITEM#	SERIES	ANODIZED FINISH	MATERIAL	A	B	C	D	E	F	G	H	J
653271	10 to 15	Clear	Aluminum	.875"	4.000"	.500"	1.250"	.750"	.438"	.328"	.257"	.250"

Recommended Fasteners (Mount to Slot)

ITEM#	SERIES	QTY.	BOLT	T-NUT
651171	10	2	1/4-20 x 1/2" BHSCS	Economy
651129	15	1	5/16-18 x 11/16" BHSCS	Economy

Transition Joining Strips

3 Hole Large Transition Strip



Product Information

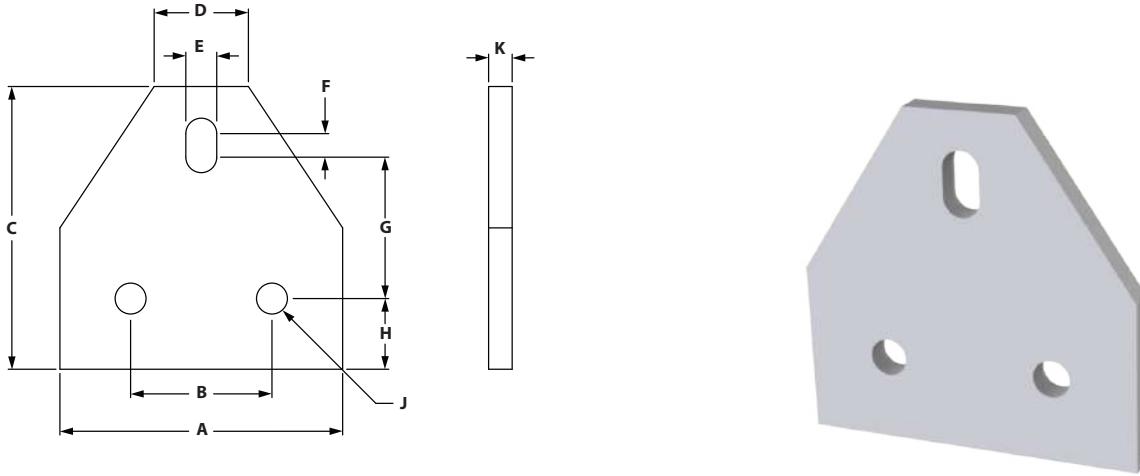
ITEM#	SERIES	ANODIZED FINISH	MATERIAL	A	B	C	D	E	F	G	H	J
653270	10 to 15	Clear	Aluminum	.875"	4.000"	.750"	.438"	.500"	.438"	.257"	.328"	.250"

Recommended Fasteners (Mount to Slot)

ITEM#	SERIES	QTY.	BOLT	T-NUT
651171	10	1	1/4-20 x 1/2" BHSCS	Economy
651129	15	2	5/16-18 x 11/16" BHSCS	Economy

Transition Joining Strips

Removable Panel Plate

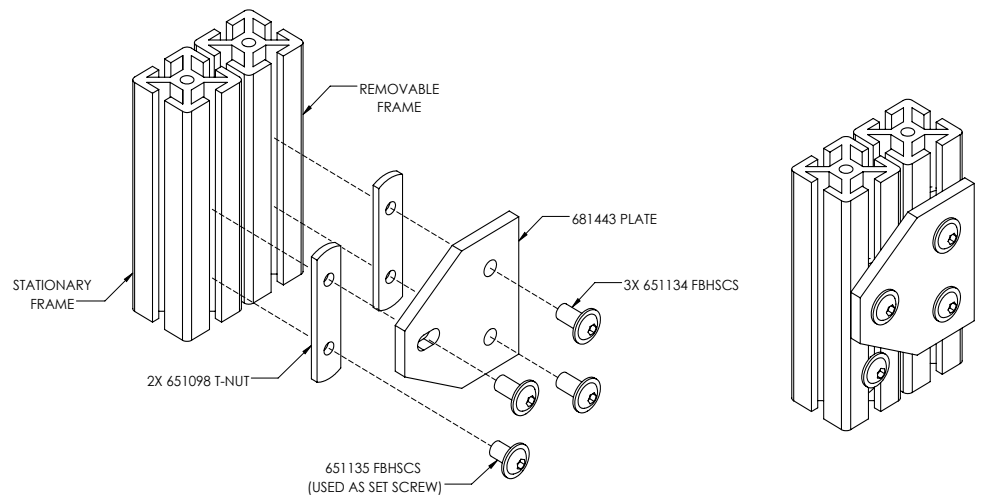


Product Information

ITEM#	SERIES	ANODIZED FINISH	MATERIAL	A	B	C	D	E	F	G	H	J	K
681443	15	Clear	Aluminum	3.000"	1.500"	3.000"	1.000"	.328"	.250"	1.500"	.750"	.328"	.250"

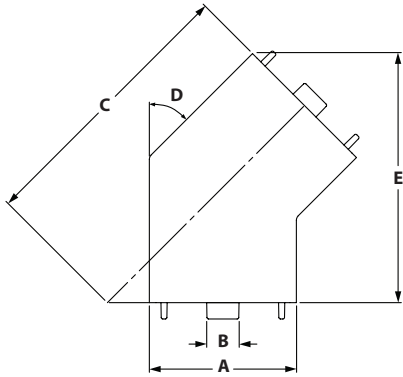
Recommended Fasteners (Mount to Slot)

ITEM#	SERIES	QTY.	BOLT	T-NUT
651700	15	1	5/16-18 x 11/16" FBHSCS & 5/16-18 x 1/2" FHBHSCS	Economy



Corner Connectors

45° Angle Connector



- Connects 2 extrusions at the end a 45° angle
- Hardware fasteners included

Product Information

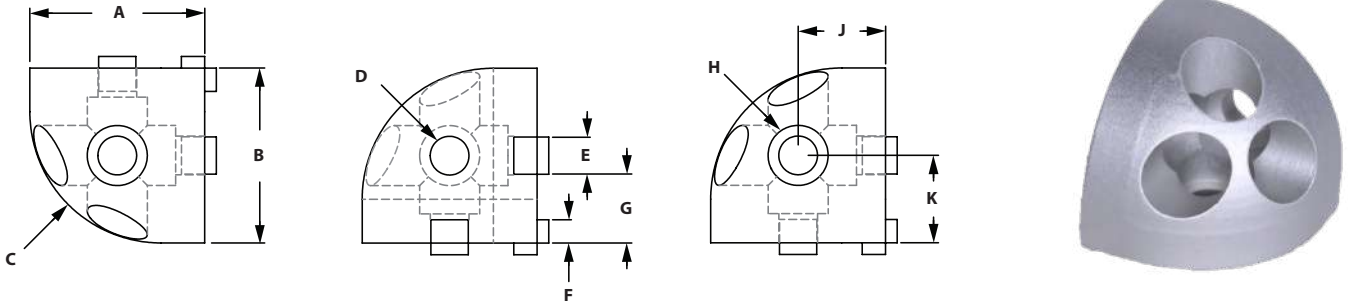
ITEM#	SERIES	FINISH	MATERIAL	A	B	C	D	E
671640	45	Clear	Die Cast Aluminum	45.00mm	10.00mm	85.30mm	45°	76.20mm

Included Fasteners

ITEM#	SERIES	BOLT	QTY	BOLT	QTY	T-NUT	QTY
671115	45	Self Thread M12 x30mm	2	M8 x 20mm Hammer Head	1	M8 Flange Nut	2

Corner Connectors

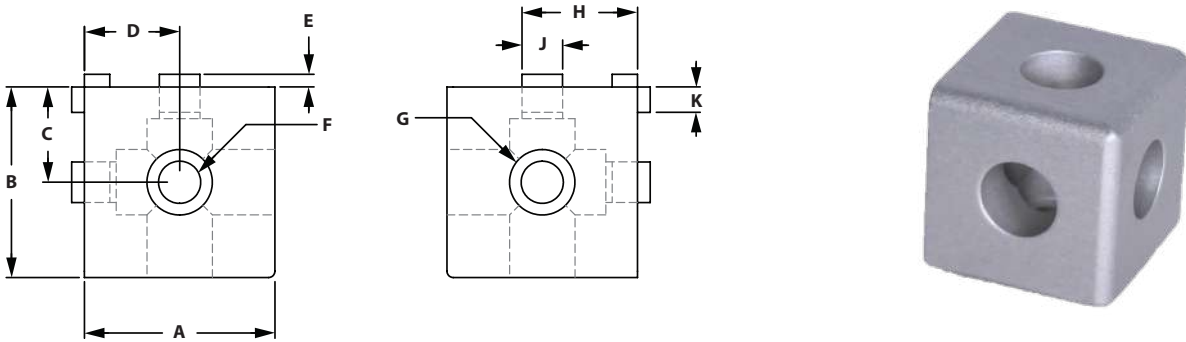
Round Tri Corner Connector



Product Information

ITEM#	SERIES	ANODIZED FINISH	MATERIAL	A	B	C	D	E	F	G	H	J	K
653034	10	Clear	Aluminum	1.000"	1.000"	.750"	.257"	.244"	.117"	.378"	.406"	.500"	.500"
653257	15	Clear		1.500"	1.500"	1.125"	.328"	.310"	.200"	.595"	.515"	.750"	.750"

Square Tri Corner Connector



Product Information

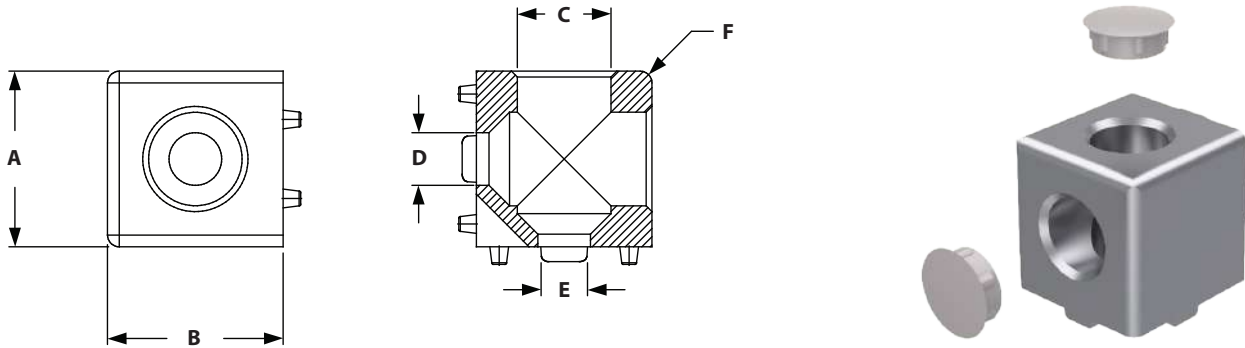
ITEM#	SERIES	ANODIZED FINISH	MATERIAL	A	B	C	D	E	F	G	H	J	K
653035	10	Clear	Aluminum	1.000"	1.000"	.500"	.500"	.087"	.257"	.406"	.378"	.244"	.117"
653258	15	Clear		1.500"	1.500"	.750"	.750"	.110"	.328"	.515"	.595"	.310"	.200"

Recommended Fasteners (Mount to End)

ITEM#	SERIES	QTY.	BOLT	T-NUT
651003	10	3	1/4-20 x 1" LHSCS	--
651004	15	3	5/16-18 x 1-1/4" FLHSCS	--

Corner Connectors

2 Hole Corner Connector



* All screws and cover caps are included with item #

Product Information

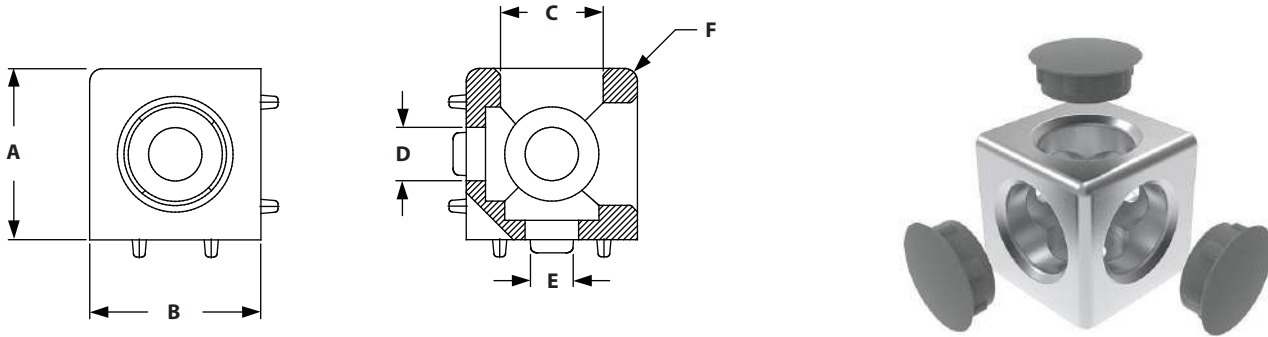
ITEM#	SERIES	ANODIZED FINISH	MATERIAL	A	B	C	D	E	F	COVER CAPS
671749	10 25	Powder Coated	Die-Cast Aluminum	1.000"	1.000"	.472"	.283"	.236"	.078"	Alu Color
				25.40mm	25.40mm	12.00mm	7.20mm	6.00mm	2.00mm	
671848	15			1.500"	1.500"	.705"	.334"	.315"	.118"	
653326	20			20.00mm	20.00mm	12.00mm	5.20mm	5.00mm	1.50mm	
671751	40			40.00mm	40.00mm	24.00mm	8.50mm	--	4.00mm	
671631	30			30.00mm	30.00mm	18.00mm	9.00mm	--	2.00mm	
671773	40			40.00mm	40.00mm	24.00mm	12.50mm	--	3.00mm	
671632	45	45.00mm	45.00mm	24.00mm	13.00mm	--	3.00mm			

Included Fasteners (Mount to End)

SERIES	QTY.	BOLT	TAP REQUIRED
10 25	2	1/4-20 x 1" BHSCS	Yes
15	2	5/16-18 x 1" BHSCS	Yes
20	2	M5 x 14mm BHSCS	Yes
40	2	M8 x 25mm BHSCS	Yes
30	2	S8 x 25mm FHSCS	No
40	2	S12 x 30mm Torx T50	No
45	2	S12 x 30mm Torx T50	No

Corner Connectors

3 Hole Corner Connector



Product Information

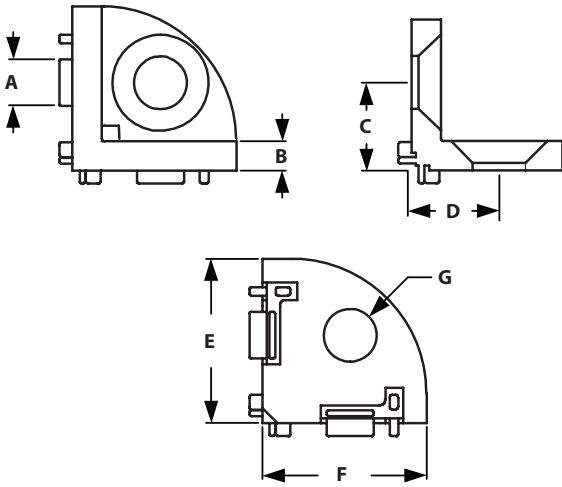
ITEM#	SERIES	ANODIZED FINISH	MATERIAL	A	B	C	D	E	F	COVER CAPS
671750	10 25	Powder Coated	Die-Cast Aluminum	1.000"	1.000"	.472"	.283"	.236"	.078"	Alu Color
				25.40mm	25.40mm	12.00mm	7.20mm	6.00mm	2.00mm	
671849	15			1.500"	1.500"	.705"	.334"	.315"	.118"	
653327	20			20.00mm	20.00mm	12.00mm	5.20mm	5.00mm	1.50mm	
671748	40			40.00mm	40.00mm	24.00mm	8.50mm	--	4.00mm	
671633	30			30.00mm	30.00mm	18.00mm	9.00mm	--	2.00mm	
671774	40			40.00mm	40.00mm	24.00mm	12.50mm	--	3.00mm	
671634	45	45.00mm	45.00mm	24.00mm	13.00mm	--	3.00mm			

Included Fasteners (Mount to End)

SERIES	QTY.	BOLT	TAP REQUIRED
10 25	3	1/4-20 x 1" BHSCS	Yes
15	3	5/16-18 x 1" BHSCS	Yes
20	3	M5 x 14mm BHSCS	Yes
40	3	M8 x 25mm BHSCS	Yes
30	3	S8 x 25mm FHSCS	No
40	3	S12 x 30mm Torx T50	No
45	3	S12 x 30mm Torx T50	No

Corner Connectors

3 Hole Corner Connector Open



Product Information

ITEM#	SERIES	FINISH	MATERIAL	A	B	C	D	E	F	G
671230	30	Zinc	Die Cast Aluminum	8.00mm	5.00mm	15.00mm	15.00mm	28.00mm	28.00mm	.188"

Recommended Fasteners (Mount to Slot)

ITEM#	SERIES	QTY.	BOLT	T-NUT
651518	30	3	M8 x 20mm FHSCS	--

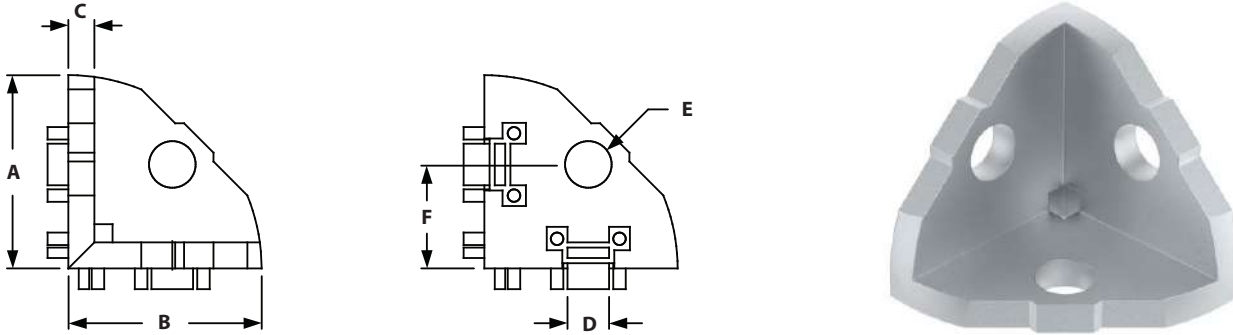
Cover Caps for Corner Connector

ITEM#	SERIES	MATERIAL	COVER CAP
671673	30	Black Nylon PA	Square
671231	30		Square
671232	30		Round



Corner Connectors

3 Hole Connection Angle



Product Information

ITEM#	SERIES	FINISH	MATERIAL	A	B	C	D	E	F
671783	15 40	Plain	Die Cast Aluminum	1.476" 37.50mm	1.476" 37.50mm	.197" 5.00mm	.315" 8.00mm	.354" 9.00mm	.787" 20.00mm

Recommended Fasteners (Mount to Slot)

ITEM#	SERIES	QTY.	BOLT	T-NUT
651347	15 40	3	M8 x 20mm BHSCS	--

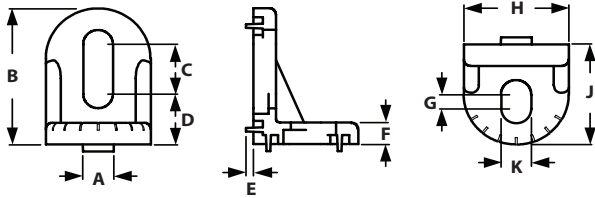
Cover Caps for Corner Connector

ITEM#	SERIES	MATERIAL	COVER CAP
671784	30	Black Nylon PA	Square



Angle Connectors

Turning Angle



- Connects to extrusions at various angles from 0° to 180°

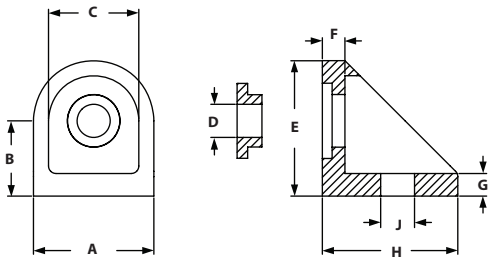
Product Information

ITEM#	SERIES	FINISH	MATERIAL	A	B	C	D	E	F	G	H	J	K
671234	30 / 45	Plain	Die Cast Aluminum	8.00mm	38.00mm	14.00mm	14.00mm	2.00mm	6.00mm	4.00mm	28.00mm	28.00mm	8.00mm

Recommended Fasteners (Mount to Slot)

ITEM#	SERIES	QTY.	BOLT	T-NUT
651757	30	2	M8 x 12mm BHSCS	Self-Align
651707	45	2	M8 x 16mm BHSCS	Hammer Nut

Turning Angle 40 Series



- Connects to extrusions at various angles
- Can be turned freely when mounted

Product Information

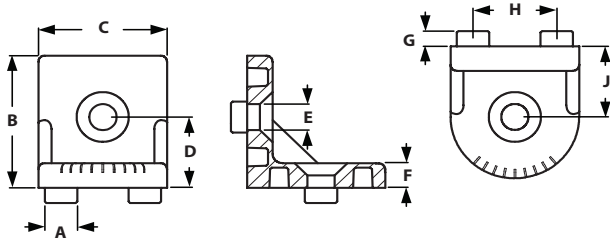
ITEM#	SERIES	ANODIZED FINISH	MATERIAL	A	B	C	D	E	F	G	H	J
664110	40	Plain	Zinc Die-cast	32.00mm	20.00mm	24.00mm	8.80mm	36.00mm	6.00mm	6.00mm	36.00mm	9.00mm

Recommended Fasteners (Mount to Slot)

ITEM#	SERIES	QTY.	BOLT	T-NUT
651512	40	1	M8 x 16mm SHCS	Economy

Angle Connectors

Turning Angle 45 Series



- Connects to extrusions at various angles from 0° to 180°

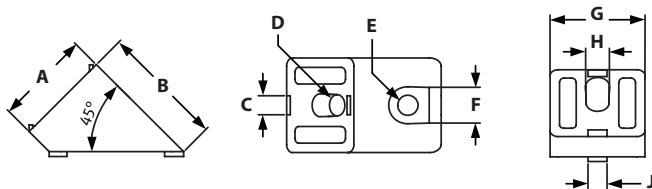
Product Information

ITEM#	SERIES	ANODIZED FINISH	MATERIAL	A	B	C	D	E	F	G	H	J
671235	45	Plain	Die Cast Aluminum	10.00mm	43.00mm	40.00mm	23.00mm	8.50mm	8.00mm	5.00mm	26.00mm	23.00mm

Recommended Fasteners (Mount to Slot)

ITEM#	SERIES	QTY.	BOLT	T-NUT
651792	45	2	M8 x 18mm FHSCS	Hammer Nut

45° Connector Angle 40 Series



- Connects 2 extrusions at 45° angle

Product Information

ITEM#	SERIES	FINISH	MATERIAL	A	B	C	D	E	F	G	H	J
655767	40	Plain	Die Cast Aluminum	40.00mm	52.00mm	8.00mm	9.00mm	8.50mm	15.00mm	40.00mm	10.00mm	8.00mm

Recommended Fasteners (Mount to Slot)

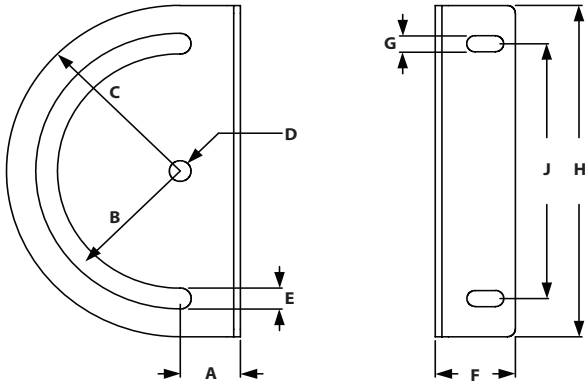
ITEM#	SERIES	QTY.	BOLT	T-NUT
651512	40	1	M8 x 16mm SHCS	Economy

Recommended Fasteners (Extrusion End)

ITEM#	SERIES	QTY.	BOLT
651350	40	1	M8 x 25mm SHCS

Angle Connectors

Pivot Angle Connector



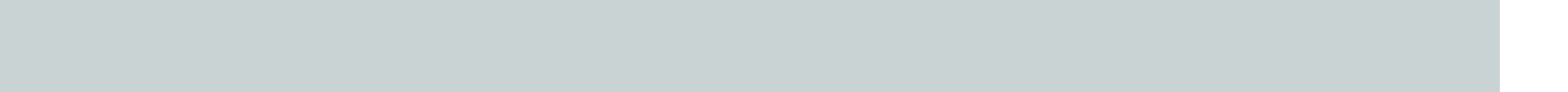
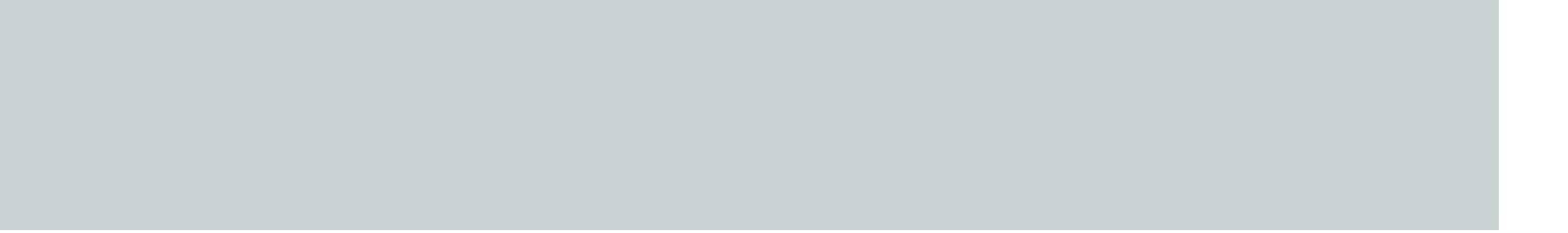
- Connects 2 extrusions at and adjustable angle

Product Information

ITEM#	SERIES	FINISH	MATERIAL	A	B	C	D	E	F	G	H	J
671233	45	Zinc	Steel	22.50mm	R50	R65	8.10mm	8.20mm	30.00mm	6.30mm	130.00mm	100.00mm

Recommended Fasteners (Mount to Slot)

ITEM#	SERIES	QTY.	BOLT	T-NUT
651758	45	2	M8 x 12mm SHCS	Hammer Nut



FASTENER SECTION

Fastener Application Information

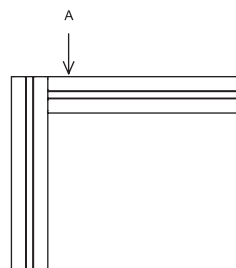
Recommended Hex Tool Size for Fasteners

THREAD SIZE	SHCS	BHSCS	FBHSCS	FHSCS
8-32	--	3/32"	--	--
10-32	5/32"	1/8"	--	--
1/4-20	3/16"	5/32"	3/16"	5/32"
5/16-18	1/4"	3/16"	1/4"	3/16"
3/8-16	5/16"	--	--	7/32"
M5	4mm	3mm	--	3mm
M6	5mm	4mm	--	4mm
M8	6mm	5mm	--	5mm
M10	8mm	6mm	--	6mm

Fastener Application Test

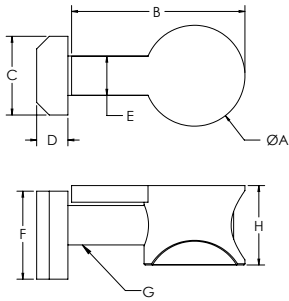
	TS10-10	TS15-15	TS20-20 M	TS40-40 L	TS30-30 B	TS45-45 L
FASTENER	A (lbs)	A (lbs)	A (lbs)	A (lbs)	A (lbs)	A (lbs)
Anchor Fastener	520	510	--	520	--	--
Double Anchor Fastener	970	1800	--	--	--	--
End Fastener	640	750	--	980	--	--
Milling Connector	--	200	--	180	180	600
Inner Connector	175	560	--	580	620	580
Central Connector	--	310	--	300	500	460
Plate Connector	--	--	--	--	1180	--
SHCS/Spot Machining	300	1100	--	1500	--	--
2 Hole Joining Strip	140	170	100	265	150	200
5 Hole Joining Plate	940	1100	--	950	1200	1350
2 Hole Corner Bracket	510	500	--	780	600	640
2 Hole Gusset	400	570	280	840	590	530
Bolt Connector	--	--	--	--	200	1000
Connector Screw	--	--	--	--	490	720
Corner Cube/Connectors	1750	2200	700	--	1250	1250

A - DIRECT FORCE



Internal Fasteners

Anchor Fasteners



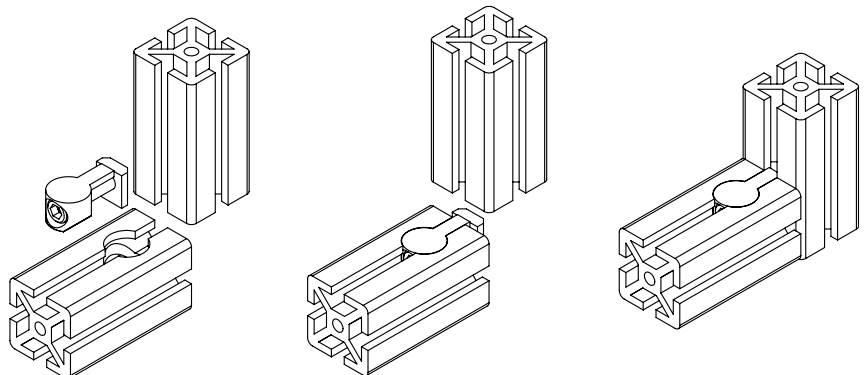
- Strongest of available fasteners
- Creates 90 degree connection
- All T-Nuts are offset

Product Information

ITEM#	SERIES	T-NUT	CAM COLOR	A	B	C	D	E	F	G	H
651173	10	Standard	Bright Zinc	.562"	.755"	.429"	.167"	.250"	.477"	10-32 x 3/4 SHCS	.415"
651500		Standard	Bright Zinc	.562"	.755"	.429"	.170"	.250"	.480"	M5 x 18mm SHCS	.415"
651170		Standard	Black	.562"	.755"	.429"	.167"	.250"	.477"	10-32 x 3/4 SHCS	.415"
651149		Drop-In	Bright Zinc	.560"	.730"	.400"	.200"	.250"	.630"	10-32 x 3/4 SHCS	.410"
651281	15	Standard	Bright Zinc	.800"	1.380"	.624"	.250"	.310"	.700"	SS 5/16-18 x 1.25 SHCS	.630"
651146		Standard	Bright Zinc	.800"	1.380"	.624"	.250"	.310"	.700"	5/16-18 x 1.25 SHCS	.630"
651145		Standard	Black	.800"	1.380"	.624"	.250"	.310"	.700"	5/16-18 x 1.25 SHCS	.630"
651148		Drop-In	Bright Zinc	.800"	1.380"	.510"	.280"	.310"	.880"	5/16-18 x 1.25 SHCS	.630"
651424	40	Standard	Bright Zinc	20.32mm	35.05mm	15.85mm	6.35mm	7.87mm	17.478mm	M8 x 30mm SHCS	16.00mm
651617		Standard	Black	20.32mm	35.05mm	15.85mm	6.35mm	7.87mm	17.478mm	M8 x 30mm SHCS	16.00mm

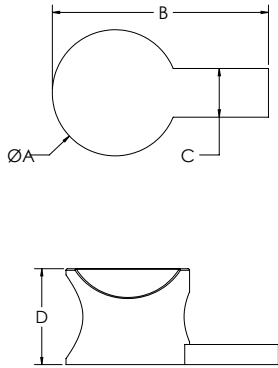
Required Machining Service

ITEM#	SERIES	TYPE
660022	10	Counterbore
660020	15	Counterbore



Internal Fasteners

Anchor Fastener Cams



Product Information

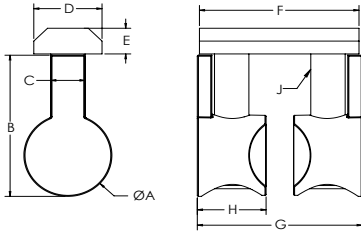
ITEM#	SERIES	CAM COLOR	A	B	C	D
651174	10	Bright Zinc	.562"	.755"	.250"	.415"
651566		Black	.562"	.755"	.250"	.415"
651147	15 40	Bright Zinc	.800" 20.32mm	1.380" 35.05mm	.310" 7.87mm	.630" 6.00mm
651565		Black	.800" 20.32mm	1.380" 35.05mm	.310" 7.87mm	.630" 6.00mm

Required Machining Service

ITEM#	SERIES	TYPE
660022	10	Counterbore
660020	15 40	Counterbore

Internal Fasteners

Double Anchor Fasteners



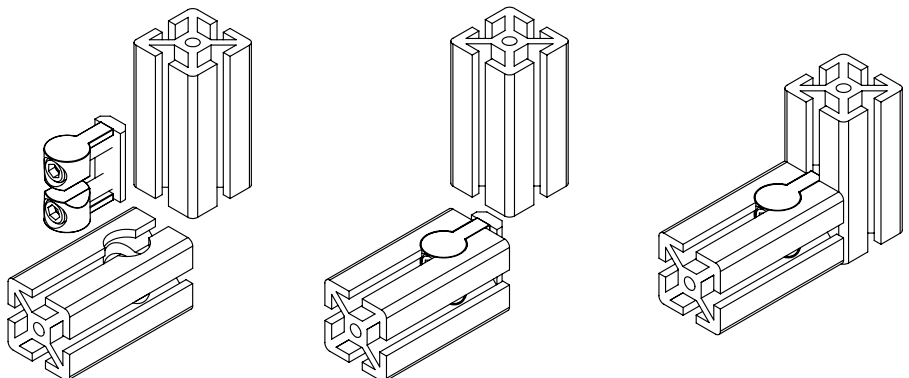
- Reduces assembly time when mating extrusions have opposing anchor fastener counterbores
- Strongest of available fasteners
- Creates 90 degree Tslot connections

Product Information

ITEM#	SERIES	T-NUT	CAM COLOR	A	B	C	D	E	F	G	H	J
651036	10	Short	Bright Zinc	.560"	.730"	.250"	.436"	.177"	.950"	.989"	.410"	10-32 x 3/4 SHCS
651037		Short	Black	.560"	.730"	.250"	.436"	.177"	.950"	.989"	.410"	10-32 x 3/4 SHCS
651038		Long	Bright Zinc	.560"	.730"	.250"	.440"	.180"	1.970"	1.975"	.410"	10-32 x 3/4 SHCS
651039		Long	Black	.560"	.730"	.250"	.440"	.180"	1.970"	1.975"	.410"	10-32 x 3/4 SHCS
651044	15	Short	Bright Zinc	.800"	1.380"	.310"	.630"	.250"	1.450"	1.500"	.630"	5/16-18 x 1.25 SHCS
651041		Short	Black	.800"	1.380"	.310"	.630"	.250"	1.450"	1.500"	.630"	5/16-18 x 1.25 SHCS
651045		Long	Bright Zinc	.800"	1.380"	.310"	.620"	.250"	2.950"	2.989"	.630"	5/16-18 x 1.25 SHCS
651043		Long	Black	.800"	1.380"	.310"	.620"	.250"	2.950"	2.989"	.630"	5/16-18 x 1.25 SHCS
651875	40	Short	Black	20.32mm	35.10mm	7.87mm	15.75mm	6.22mm	38.25mm	39.96mm	16.00mm	M8 x 30mm SHCS
651876		Long	Black	20.32mm	35.10mm	7.87mm	15.75mm	6.22mm	78.16mm	80.00mm	16.00mm	M8 x 30mm SHCS

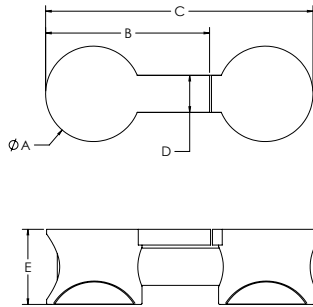
Required Machining Service

ITEM#	SERIES	TYPE
660022	10	Counterbore
660020	15 40	Counterbore



Internal Fasteners

Butt Fasteners



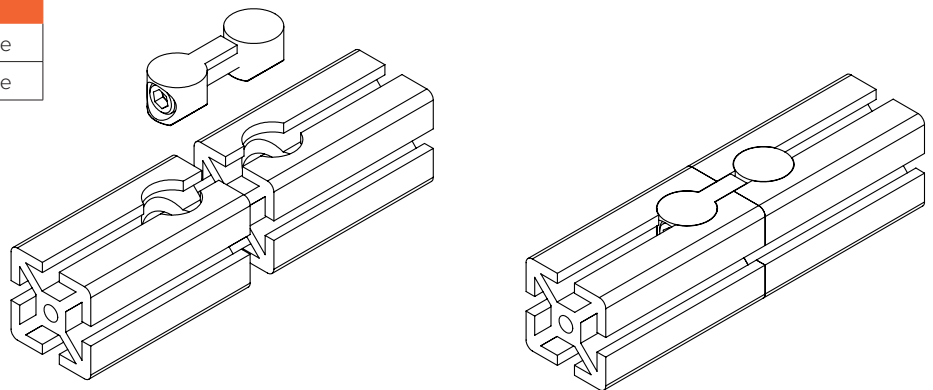
- Allows you to butt two extrusions end to end for maximum strength and alignment

Product Information

ITEM#	SERIES	CAM COLOR	A	B	C	D	E
651153	10	Bright Zinc	.560"	.730"	1.370"	.250"	.410"
651154	15 40	Bright Zinc	.800" 20.32mm	1.380" 35.05mm	2.240" 56.90mm	.310" 7.87mm	.630" 6.00mm
651633		Black	.800" 20.32mm	1.380" 35.05mm	2.240" 56.90mm	.310" 7.87mm	.630" 6.00mm

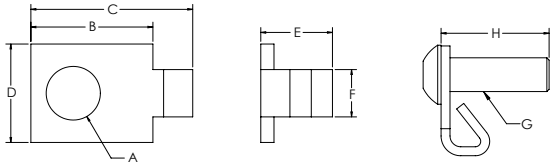
Required Machining Service

ITEM#	SERIES	TYPE
660023	10	Counterbore
660021	15	Counterbore



Internal Fasteners

Single Tab End Fasteners



- Provides hidden fastener when connecting extrusions at 90°
- Allows for panels to mate in slots without having to notch panels
- Mating extrusions glide over end fastener
- Prevents mating extrusion from rotating

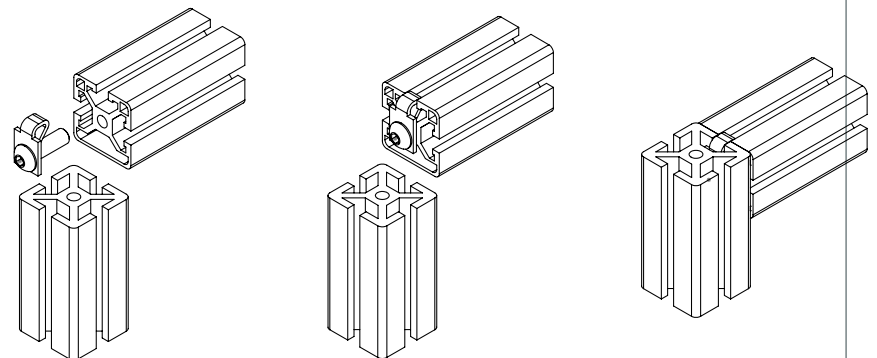
Product Information

ITEM#	SERIES	FINISH	BOLT INCLUDED	A	B	C	D	E	F	G	H
651568	10	Black Zinc	No	.275"	.489"	.645"	.431"	.293"	.240"	---	---
651495	15 40	Bright Zinc	No	.340" 8.63mm	.770" 19.56mm	1.020" 25.91mm	.620" 15.75mm	.450" 11.43mm	.300" 7.62mm	---	---
651501	15	Bright Zinc	Yes	.340"	.770"	1.020"	.620"	.450"	.300"	5/16-18 x 3/4 SHCS	1.000"
651502	40	Bright Zinc	Yes	8.63mm	19.56mm	25.91mm	15.75mm	11.43mm	7.62mm	M8 x 20mm SHCS	24.89"

Required Machining Service

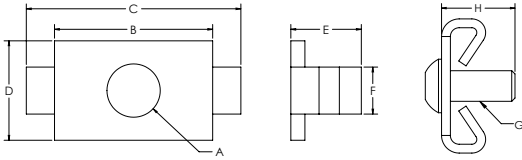
PROFILE	SERIES	TYPE
Base Extrusion	All	End Tapping
Mating Extrusion	All	Access Hole

Tapping service required in the extrusion base end and access hole in the mating extrusions



Internal Fasteners

End Fasteners



- Provides hidden fastener when connecting extrusions at 90°
- Allows for panels to mate in slots without having to notch panels
- Mating extrusions glide over end fastener
- Prevents mating extrusion from rotating

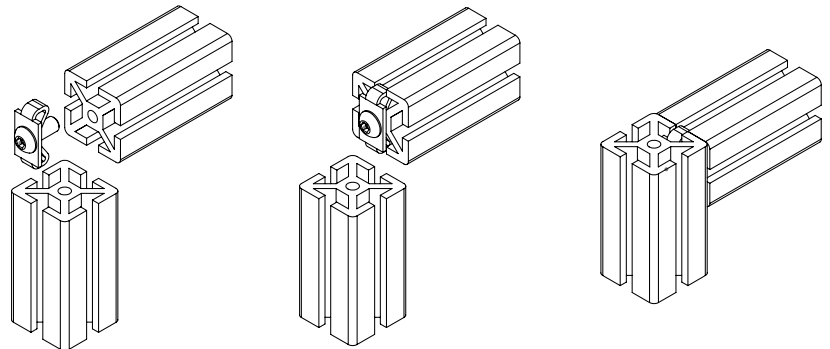
Product Information

ITEM#	SERIES	FINISH	BOLT INCLUDED	A	B	C	D	E	F	G	H
651291	10	Bright Zinc	No	.280"	.630"	.890"	.430"	.340"	.250"	---	---
651159		Black Zinc	No	.280"	.630"	.890"	.430"	.340"	.250"	---	---
651162		Bright Zinc	Yes	.280"	.630"	.890"	.430"	.340"	.250"	1/4-20 x 3/4 BHSCS	.750"
651292		Bright Zinc	Yes	.280"	.630"	.890"	.430"	.340"	.250"	SS 1/4-20 x 3/4 BHSCS	.750"
651422		Bright Zinc	Yes	.280"	.630"	.890"	.430"	.340"	.250"	M6 x 20mm BHSCS	.790"
651289	15 40	Bright Zinc	No	.340" 8.63mm	1.010" 25.65mm	1.370" 34.80mm	.640" 16.25mm	.450" 11.43mm	.300" 7.62mm	---	---
651160		Black Zinc	No	.340" 8.63mm	1.010" 25.65mm	1.370" 34.80mm	.640" 16.25mm	.450" 11.43mm	.300" 7.62mm	---	---
651161	15	Black Zinc	Yes	.340"	1.010"	1.370"	.640"	.450"	.300"	5/16-18 x 3/4 BHSCS	.750"
651290		Bright Zinc	Yes	.340"	1.010"	1.370"	.640"	.450"	.300"	SS 5/16-18 x 3/4 BHSCS	.750"
651418	15 40	Bright Zinc	Yes	.340" 8.63mm	1.010" 25.65mm	1.370" 34.80mm	.640" 16.25mm	.450" 11.43mm	.300" 7.62mm	M8 x 20mm BHSCS	.790" 20mm

Required Machining Service

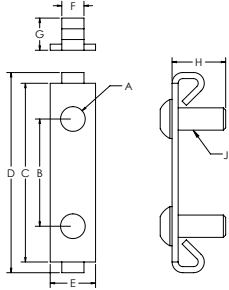
PROFILE	SERIES	TYPE
Base Extrusion	All	End Tapping
Mating Extrusion	All	Access Hole

Tapping service required in the extrusion base end and access hole in the mating extrusions



Internal Fasteners

Double End Fasteners



- Provides hidden fastener when connecting extrusions at 90°
- Allows for panels to mate in slots without having to notch panels
- Mating extrusions glide over end fastener
- Prevents mating extrusion from rotating

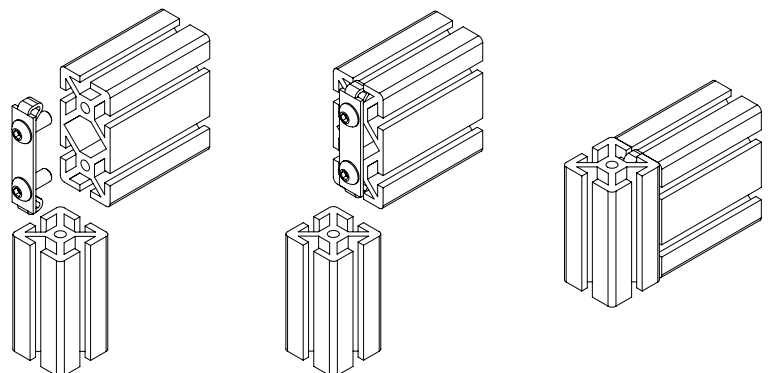
Product Information

ITEM#	SERIES	FINISH	BOLT INCLUDED	A	B	C	D	E	F	G	H	J
651329	10	Bright Zinc	No	.280"	1.000"	1.630"	1.880"	.430"	.250"	.340"	---	---
651139		Black Zinc	No	.280"	1.000"	1.630"	1.880"	.430"	.250"	.340"	---	---
651330		Bright Zinc	No	.350"	1.500"	2.500"	2.800"	.640"	.310"	.450"	---	---
651140		Black Zinc	No	.350"	1.500"	2.500"	2.800"	.640"	.310"	.450"	---	---
651137		Black Zinc	Yes	.280"	1.000"	1.630"	1.880"	.430"	.250"	.340"	.750"	1/4-20 x 3/4 BHSCS
651327		Bright Zinc	Yes	.280"	1.000"	1.630"	1.880"	.430"	.250"	.340"	.750"	SS 1/4-20 x 3/4 BHSCS
651428		Bright Zinc	Yes	.280"	1.000"	1.630"	1.880"	.430"	.250"	.340"	.894"	M6 x 25mm BHSCS
651138	15	Black Zinc	Yes	.350"	1.500"	2.500"	2.800"	.640"	.310"	.450"	.750"	5/16-18 x 3/4 BHSCS
651328		Bright Zinc	Yes	.350"	1.500"	2.500"	2.800"	.640"	.310"	.450"	.750"	SS 5/16-18 x 3/4 BHSCS
651429		Bright Zinc	Yes	.350"	1.500"	2.500"	2.800"	.640"	.310"	.450"	.984"	M8 x 25mm BHSCS

Required Machining Service

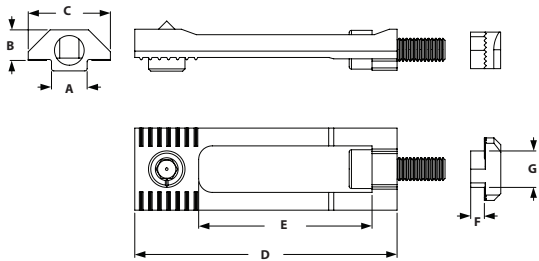
PROFILE	SERIES	TYPE
Base Extrusion	All	End Tapping
Mating Extrusion	All	Access Hole

Tapping service required in the extrusion base end and access hole in the mating extrusions



Internal Fasteners

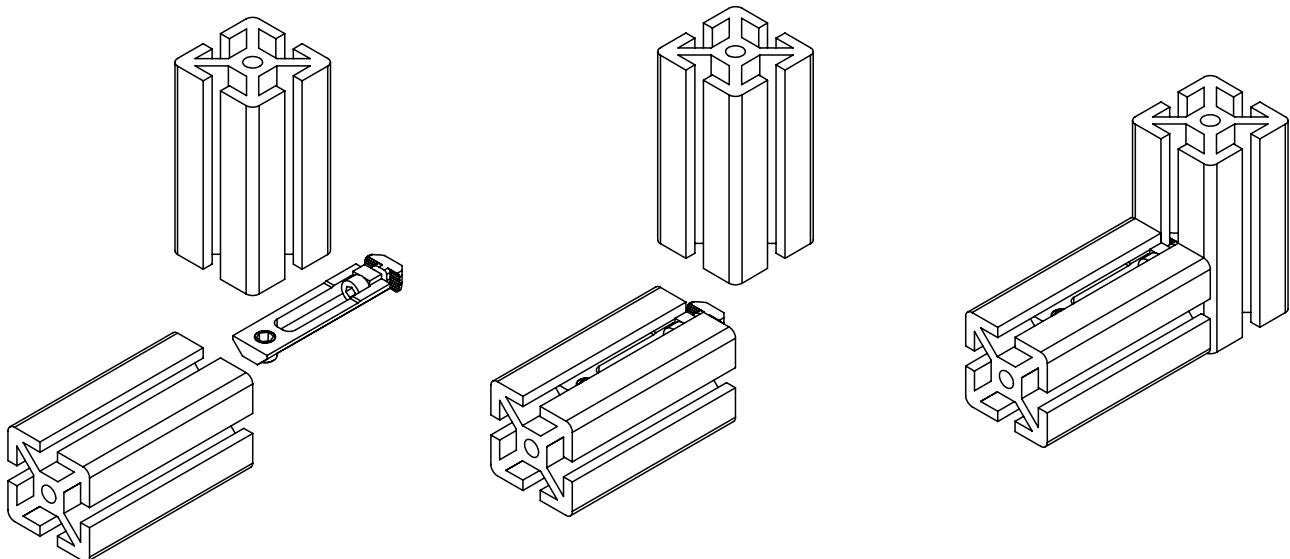
Milling Connector



- For fast connection of two tslot profiles
- Requires no machining

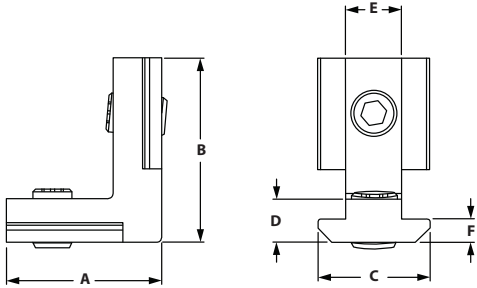
Product Information

ITEM#	SERIES	FINISH	A	B	C	D	E	F	G
655815	15 40	Bright Zinc	.709"	.264"	.307"	2.264"	1.496"	.315"	.118"
671606	30	Black Zinc	8.00mm	6.30mm	16.00mm	57.50mm	38.00mm	1.50mm	8.00mm
671607	45	Bright Zinc	10.00mm	5.40mm	19.05mm	59.50mm	38.00mm	3.00mm	10.00mm



Internal Fasteners

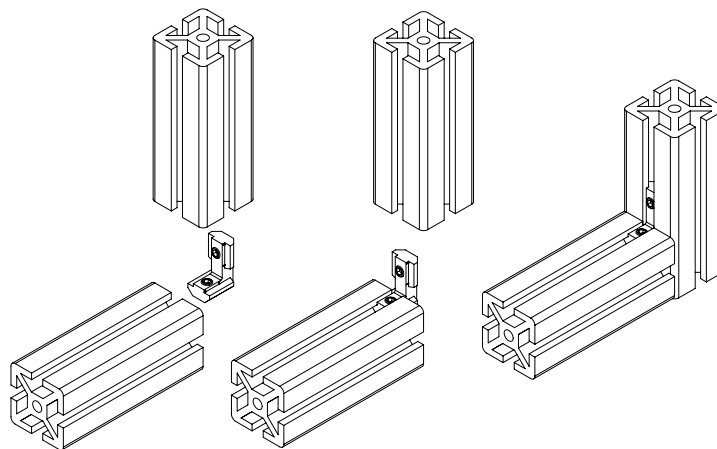
Inner Connectors



- Connects two extrusions at a 90° angle
- No machining required
- Prevents mating extrusion from rotating

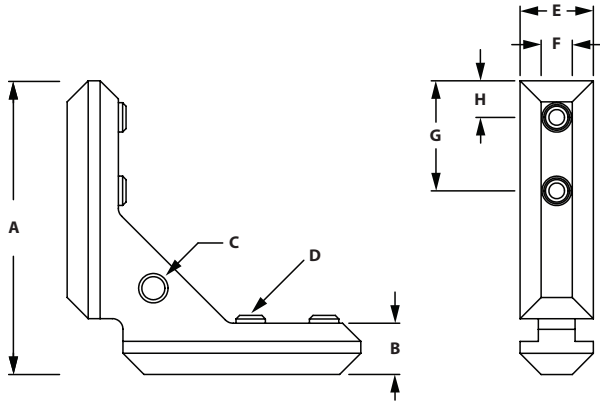
Product Information

ITEM#	SERIES	FINISH	A	B	C	D	E	F
671653	10 20	Natural Zinc	.827" 21.00mm	.827" 21.00mm	.445" 11.30mm	.177" 4.50mm	.236" 6.00mm	.118" 3.00mm
671654	15 30 40	Black Zinc	.827" 21.00mm	1.181" 30.00mm	.622" 15.80mm	.307" 7.80mm	.315" 8.00mm	.236" 6.00mm
671655	45	Black Zinc	32.00mm	38.00mm	19.00mm	8.80mm	10.00mm	3.80mm



Internal Fasteners

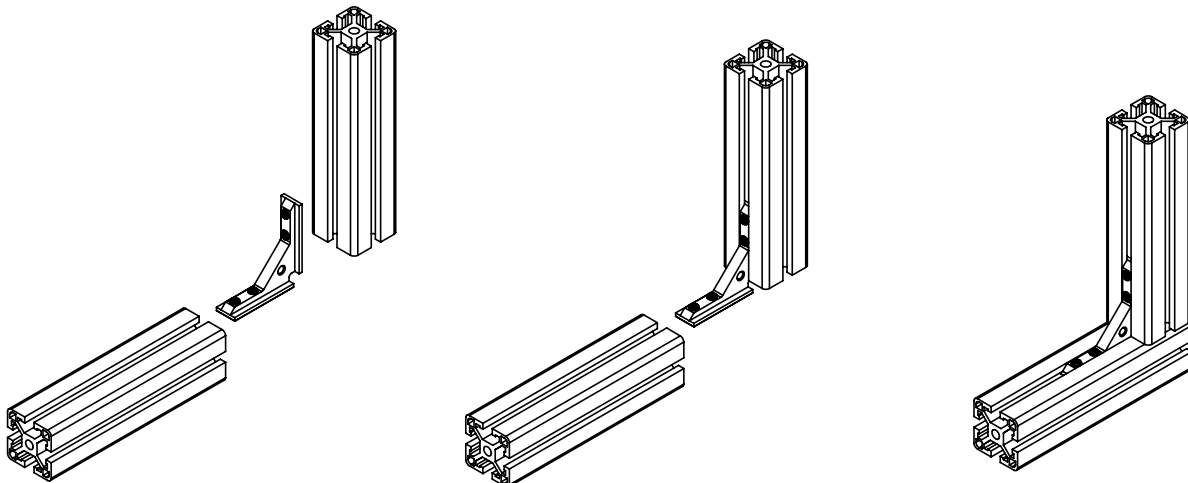
90 Degree Inside Corner Connector



- Includes 4 set screws
- Requires no machining

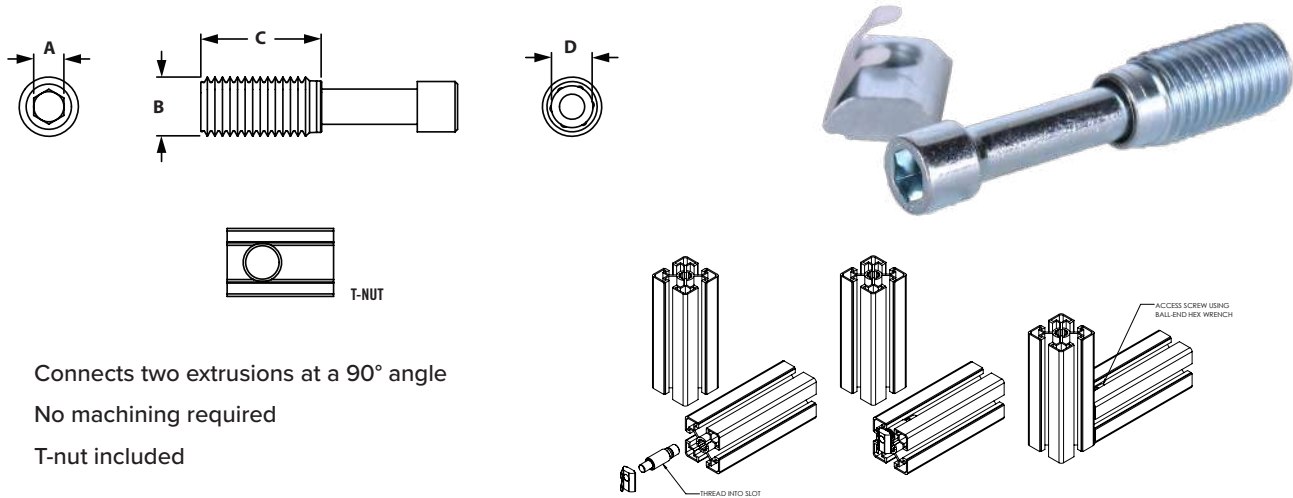
Product Information

ITEM#	SERIES	FINISH	A	B	C	D	E	F	G	H
655996	15 40	Bright Zinc	2.500" 63.50mm	.436" 11.07mm	1/4-20 Tap	1/4-20 x 1/2"	.625" 15.88mm	.313" 7.95mm	.937" 23.79mm	.312" 7.92mm



Internal Fasteners

T-Matic Connectors

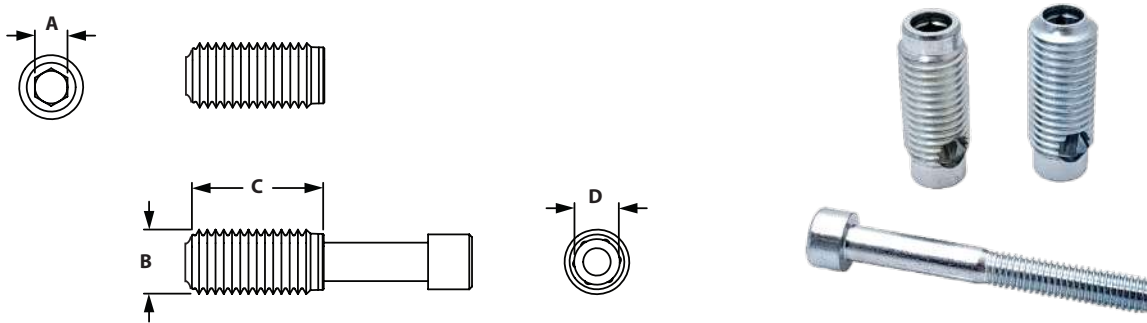


- Connects two extrusions at a 90° angle
- No machining required
- T-nut included

Product Information

ITEM#	SERIES	FINISH	A	B	C	D
671647	30	Bright Zinc	5.00mm	11.50mm	24.00mm	T45
671645	45	Bright Zinc	6.00mm	12.00mm	24.00mm	T50
671779	45 L	Bright Zinc	6.00mm	13.00mm	24.00mm	T50
683553	15 40	Bright Zinc	6.00mm	12.00mm	24.00mm	T50
683583		Stainless Steel	6.00mm	12.00mm	24.00mm	T50

T-Matic Butt Connectors



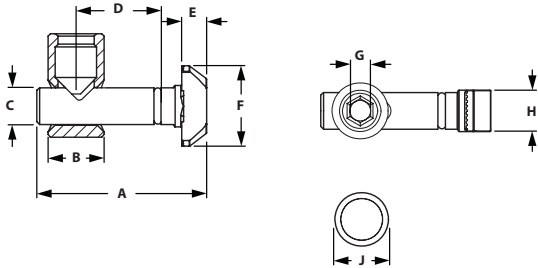
- Connects two extrusions end-to-end
- No machining required

Product Information

ITEM#	SERIES	FINISH	SCREW	A	B	C	D
683619	40	Stainless Steel	M6 X 50MM SHCS	6.00mm	12.00mm	31.00mm	6.00mm

Internal Fasteners

Central Connectors



- Connects two extrusions at right angles
- Through hole must be drilled on one profile to provide access for tightening screw

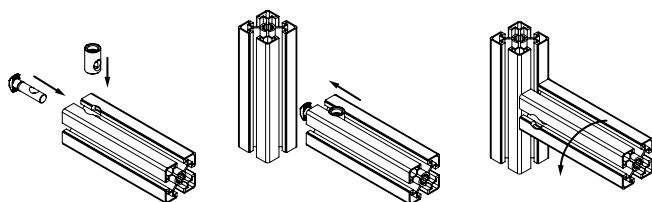
Product Information

ITEM#	SERIES	FINISH	DEGREE	A	B	C	D	E	F	G	H	J
659893	15 40 30	Zinc Plated Steel	0°	33.00mm	11.00mm	7.10mm	18.00mm	4.80mm	15.50mm	4.00mm	8.00mm	11.00mm
659730	45	Zinc Plated Steel	0°	45.50mm	17.00mm	9.80mm	22.50mm	5.50mm	19.60mm	6.00mm	10.00mm	17.00mm
682994	15 40 30	Zinc Plated Steel	90°	33.00mm	11.00mm	7.10mm	18.00mm	4.80mm	15.50mm	4.00mm	8.00mm	11.00mm
659669	45	Zinc Plated Steel	90°	45.50mm	17.00mm	9.80mm	22.50mm	5.50mm	19.60mm	6.00mm	10.00mm	17.00mm

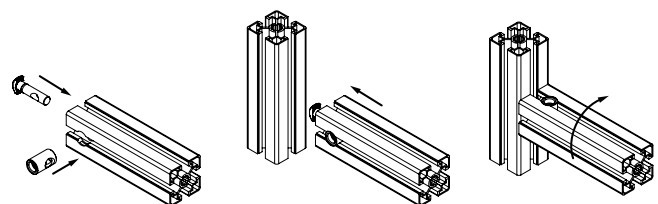
Required Machining Service

PROFILE	SERIES	TYPE	PAGE
Mounting Profile	30	Slot Machining	555
Mounting Profile	45	Slot Machining	

0° CENTRAL CONNECTOR

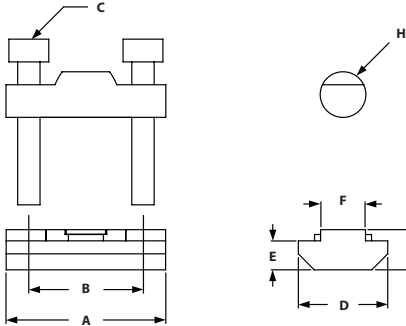


90° CENTRAL CONNECTOR



Internal Fasteners

Bolt Connector

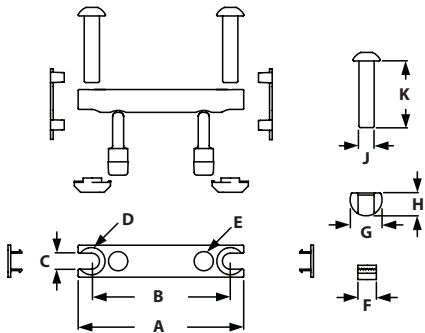


- Connects two extrusions at right angles
- 8mm thru hole must be machined

Product Information

ITEM#	SERIES	FINISH	A	B	C	D	E	F	G	H
671600	30	Zinc Plated Steel	28.00mm	20.00mm	M4 x 25mm SHCS	15.70mm	5.00mm	7.80mm	6.70mm	8.00mm

Bolt Connector W/Cap



- Connects two extrusions at right angles
- 8mm or 17mm thru hole must be machined

Product Information

ITEM#	SERIES	FINISH	A	B	C	D	E	F	G	H	K
671602	45	Zinc Plated Steel	42.00mm	27.50mm	8.40mm	14.30mm	8.10mm	10.00mm	16.80mm	M8	35.00mm
671605		Zinc Plated Steel	87.00mm	73.00mm	8.40mm	14.30mm	8.10mm	10.00mm	16.80mm	M9	35.00mm

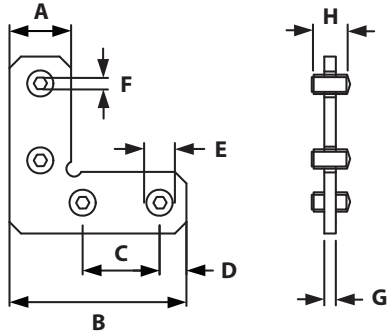
Required Machining Service

PROFILE	SERIES	TYPE	PAGE
Mounting Profile	45	Thru Hole	554

Internal Fasteners

FASTENERS

90° Miter Connector

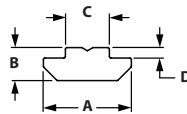


- Connects two mitered profiles together at a 90° angle
- No additional machining required

Product Information

ITEM#	SERIES	FINISH	A	B	C	D	E	F	G	H
655836	30	Zinc Plated Steel	16.00mm	46.00mm	20.00mm	7.00mm	M8	4.00mm	3.00mm	8.00mm
655837	45	Zinc Plate Steel	20.20mm	60.00mm	20.00mm	7.00mm	M10	5.00mm	3.00mm	10.00mm

Connection Strips



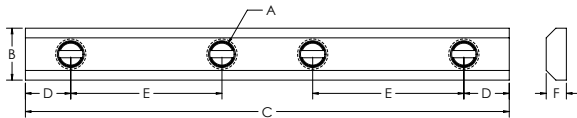
- End-to-end connection for mating extrusions
- No additional machining required
- Fasteners included

Product Information

ITEM#	SERIES	FINISH	A	B	C	D	E	F	G	H
671644	30	Steel	16.00mm	6.00mm	8.00mm	1.90mm	M6	180.00mm	160.00mm	80.00mm
671643	45	Steel	19.50mm	10.60mm	10.00mm	5.10mm	M8	180.00mm	158.00mm	28.00mm

Internal Fasteners

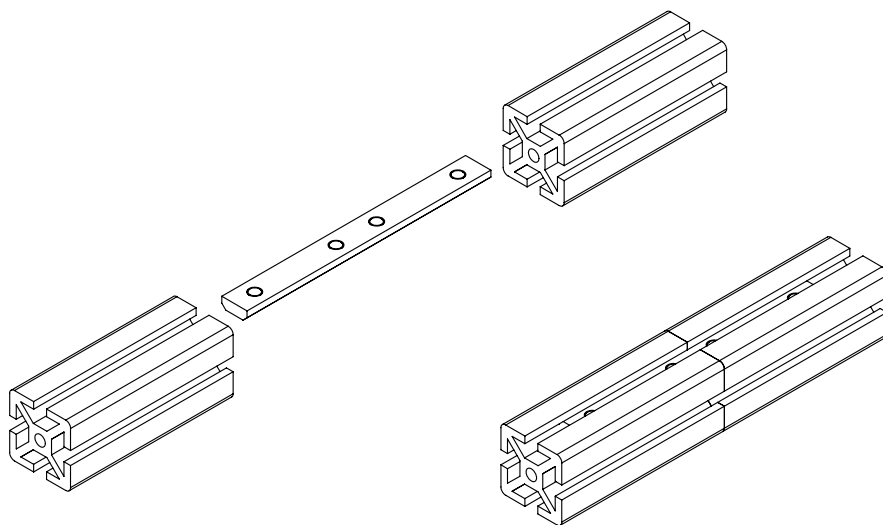
Connector Link



- Fastening link to connect similar profiles together
- Requires no machining

Product Information

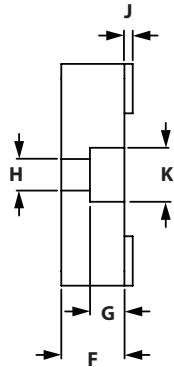
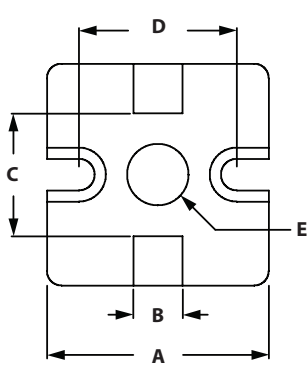
ITEM#	SERIES	FINISH	A	B	C	D	E	F
662005	10	Black Zinc	1/4-20	.430"	4.000"	.380"	1.250"	.170"
662075	15	Black Zinc	5/16-18	.620"	6.000"	.500"	2.000"	.250"



Internal Fasteners

FASTENERS

Plate Connector 45



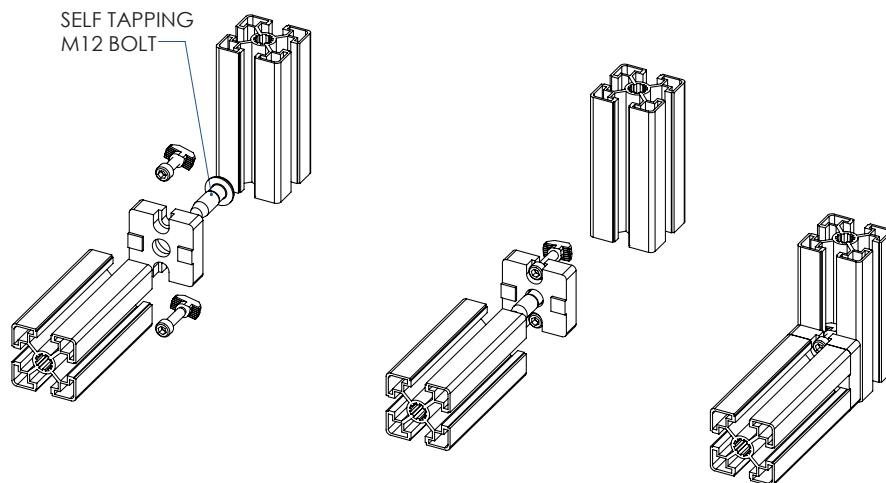
- Connects two profiles to form a tee connection
- Connecting hardware included

Product Information

ITEM#	SERIES	FINISH	A	B	C	D	E	F	G	H	J	K
671765	45	Plain	45.00mm	10.00mm	25.00mm	32.00mm	12.50mm	13.00mm	7.00mm	6.50mm	1.70mm	11.00mm
671766		Alu Color	45.00mm	10.00mm	25.00mm	32.00mm	12.50mm	13.00mm	7.00mm	6.50mm	1.70mm	11.00mm

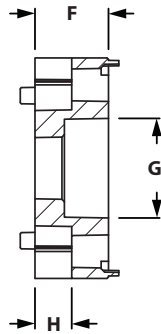
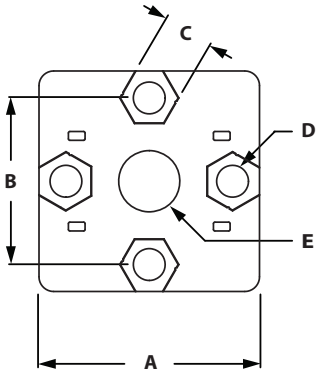
Included Fasteners

SERIES	END CONNECTING SCREW	SLOT FASTENING SCREW	T-NUT
45	S12 x 30mm LHSCS	(2) M6 x 18mm SHCS	Hammer Nut



Internal Fasteners

Plate Connector



- Connects two profiles to form a tee connection
- Connecting hardware included

Product Information

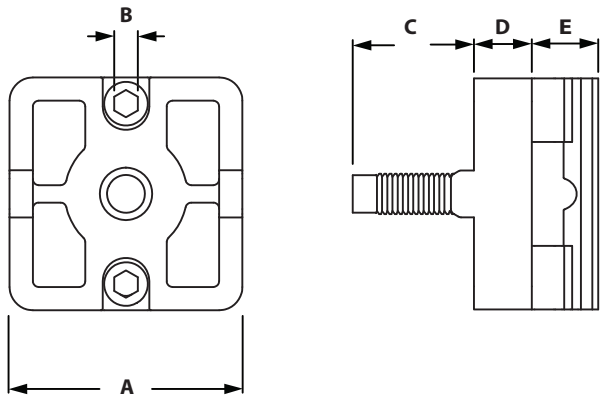
ITEM#	SERIES	FINISH	A	B	C	D	E	F	G	H
683584	30	Alu Color	30.00mm	21.00mm	8.00mm	5.50mm	8.50mm	15.00mm	13.60mm	7.50mm
683587	40	Alu Color	40.00mm	29.60mm	10.00mm	6.20mm	12.40mm	15.00m	20.00mm	7.50mm

Included Fasteners

SERIES	END CONNECTING SCREW	SLOT FASTENING SCREW	T-NUT
30	M8 X 30mm	(2) M5 x 16mm SHCS	Hammer Nut
40	S12 x 30mm Torx T50	(2) M6 x 20mm SHCS	Hammer Nut

Internal Fasteners

Plastic Plate Connector



- Connects two profiles to form a tee connection
- Connecting hardware included

Product Information

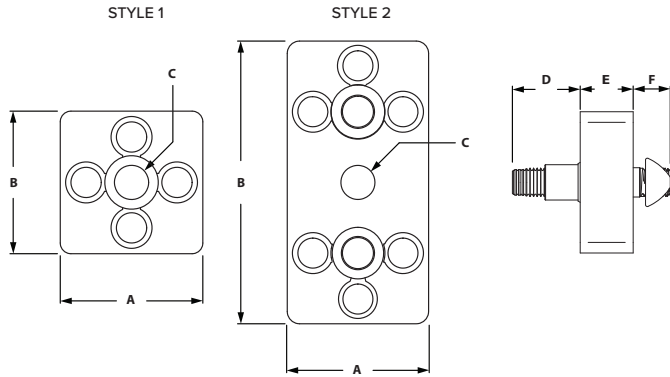
ITEM#	SERIES	FINISH	A	B	C	D	E
683585	40	Plastic	40.00mm	4.00mm	21.00mm	10.00mm	11.50mm

Included Fasteners

SERIES	END CONNECTING SCREW	SLOT FASTENING SCREW	T-NUT
40	SF7 x 25mm Hex Screw	(2) M4 x 14mm Cylinder Head Screw	Wedge Nut

Internal Fasteners

Alu Plate Connector



- Connects two profiles to form a tee connection
- Connecting hardware included

Product Information

ITEM#	SERIES	FINISH	STYLE	A	B	C	D	E	F
683605	40	Plain	1	40.00mm	40.00mm	10.00mm	19.00mm	15.00mm	10.50mm
683604		Alu Color	1	40.00mm	40.00mm	10.00mm	19.00mm	15.00mm	10.50mm
683586		Alu Color	2	40.00mm	80.00mm	10.00mm	19.00mm	15.00mm	10.50mm

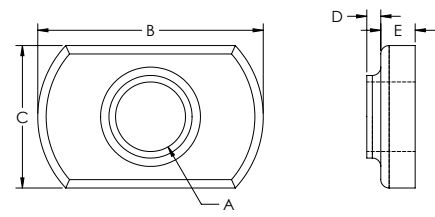
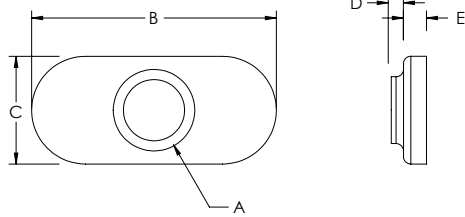
Included Fasteners

STYLE	END CONNECTING SCREW	SLOT FASTENING SCREW	T-NUT
1	(1) SF7 x 25mm	(2) M8 Shaft Screw	M8 Double Tnut
2	(2) SF7 x 25mm	(2) M8 Shaft Screw	M8 Double Tnut

Fastening Hardware

Economy T-Nuts - Centered Thread

- Economical
- Extrusion end loading

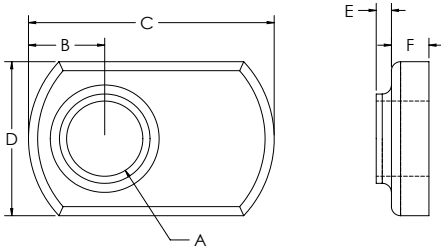


Product Information

ITEM#	SERIES	FINISH	STYLE	A	B	C	D	E
651465	10	Black Zinc	1	6-32	.866"	.434"	.040"	.094"
651095		Black Zinc	1	8-32	.866"	.434"	.040"	.094"
651096		Black Zinc	1	10-32	.866"	.434"	.040"	.094"
651163		Black Zinc	1	1/4-20	1.000"	.440"	.050"	.090"
651321		Bright Zinc	1	1/4-20	1.000"	.440"	.050"	.090"
651682		Stainless Steel	1	1/4-20	1.000"	.440"	.050"	.090"
651386		Bright Zinc	1	M6 x 1.0	.936"	.438"	.050"	.096"
651322	15	Bright Zinc	2	1/4-20	.810"	.510"	.050"	.120"
651294		Stainless Steel	2	1/4-20	.810"	.510"	.050"	.120"
651560		Black Zinc	2	5/16-18	.984"	.638"	.080"	.142"
651445	15 40 45	Black Zinc	2	M8 x 1.25	1.500" 38.00mm	.630" 16.00mm	.078" 2.00mm	.142" 3.60mm
682888	20 20	Bright Zinc	2	M5 x .8	16.00mm	9.60mm	.80mm	2.40mm

Fastening Hardware

Economy T-Nuts - Offset Thread



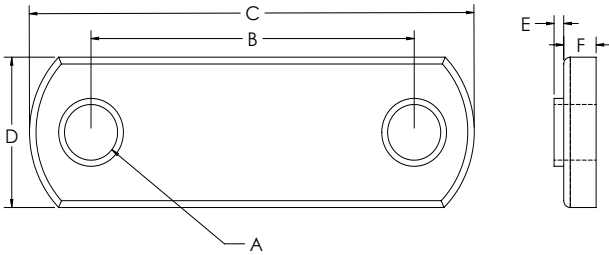
- Economical
- Extrusion end loading

Product Information

ITEM#	SERIES	FINISH	A	B	C	D	E	F
651287	10	Stainless Steel	10-32	.240"	.620"	.375"	.030"	.094"
651105	15	Black Zinc	1/4-20	.250"	.810"	.510"	.050"	.120"
651097		Black Zinc	5/16-18	.280"	1.000"	.640"	.080"	.140"
651316		Bright Zinc	5/16-18	.280"	1.000"	.640"	.080"	.140"
651288		Stainless Steel	5/16-18	.280"	1.000"	.640"	.080"	.140"
651366	15 30 40	Bright Zinc	M6 x 1.0	.250" 6.35mm	.810" 20.57mm	.510" 12.95mm	.050" 1.27mm	.120" 3.05mm
651367		Bright Zinc	M8 x 1.25	.280" 7.11mm	1.000" 25.40mm	.640" 16.25mm	.080" 2.03mm	.140" 3.55mm

Fastening Hardware

Double Economy T-Nuts



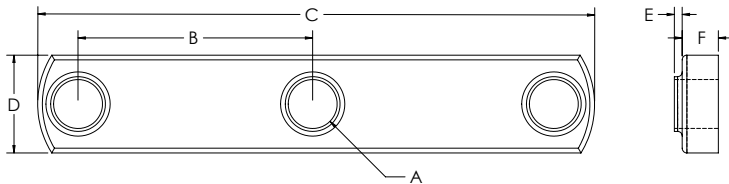
- Economical
- Extrusion end loading
- Convenient and provide better productivity over single economy t-nuts

Product Information

ITEM#	SERIES	FINISH	A	B	C	D	E	F
651100	10	Black Zinc	8-32	1.000"	1.375"	.443"	.030"	.100"
651099		Black Zinc	1/4-20	1.000"	1.869"	.443"	.030"	.100"
651331		Bright Zinc	M6 x 1.0	1.000"	1.875"	.443"	.030"	.100"
651098	15	Black Zinc	5/16-18	1.500"	2.810"	.625"	.030"	.148"
651406		Bright Zinc	M8 x 1.25	1.500"	3.000"	.630"	.030"	.100"
651461	40	Black Zinc	M8 x 1.25	40.00mm	76.00mm	16.00mm	2.03mm	3.56mm

Fastening Hardware

Triple Economy T-Nuts



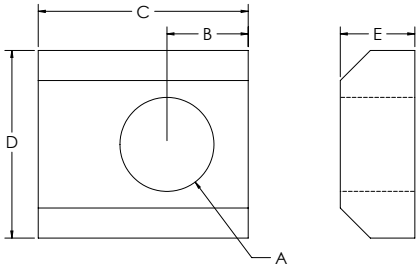
- Economical
- Extrusion end loading
- Convenient and provide better productivity over single economy t-nuts

Product Information

ITEM#	SERIES	FINISH	A	B	C	D	E	F
651106	10	Black Zinc	1/4-20	1.000"	2.450"	.450"	.050"	.095"
651427		Bright Zinc	M6 x 1.0	1.000"	2.450"	.443"	.050"	.095"
651104	15	Black Zinc	5/16-18	1.500"	3.562"	.625"	.050"	.231"
651336		Bright Zinc	M8 x 1.25	1.500"	3.562"	.638"	.080"	.222"

Fastening Hardware

Standard Offset T-Nuts



- Economical
- Extrusion end loading

Product Information

ITEM#	SERIES	FINISH	A	B	C	D	E
651076	10	Black Zinc	10-32	.200"	.477"	.429"	.167"
651075		Black Zinc	1/4-20	.230"	.480"	.429"	.167"
651398		Bright Zinc	M8 x .8	.230"	.480"	.429"	.167"
651400		Bright Zinc	M6 x 1.0	.230"	.480"	.429"	.167"
651072	15	Black Zinc	10-32	.270"	.698"	.624"	.248"
651073		Black Zinc	1/4-20	.270"	.698"	.624"	.248"
651074		Black Zinc	5/16-18	.270"	.698"	.624"	.248"
651308		Bright Zinc	5/16-18	.270"	.698"	.624"	.248"
651393	15 40	Bright Zinc	M6 x 1.0	.270" 6.86mm	.698" 17.73mm	.624" 15.85mm	.248" 6.30mm
651395		Bright Zinc	M8 x 1.25	.270" 6.86mm	.698" 17.73mm	.624" 15.85mm	.248" 6.30mm

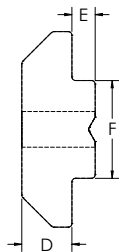
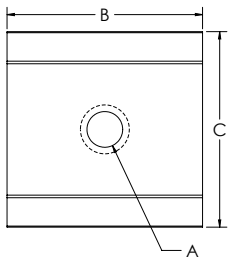
Standard Offset T-Nut Profile

ITEM#	SERIES	FINISH	LENGTH
651477	10	Mill Finish	36.000"
651475	15 40	Mill Finish	36.000"

- Customize profile with length and machining specifications

Fastening Hardware

Self-Aligning Standard T-Nut



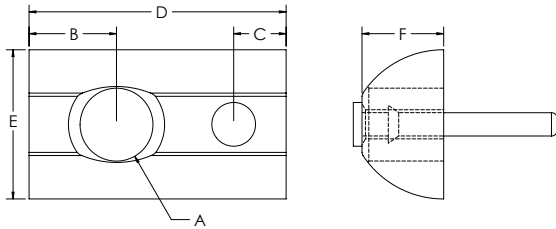
- Self-aligns with t-slot
- Extrusion end loading

Product Information

ITEM#	SERIES	FINISH	A	B	C	D	E	F
671767	20	Bright Zinc	M6 x 1.0	10.00mm	9.80mm	3.60mm	0.90mm	6.00mm
671052	30	Bright Zinc	M4 x .7	16.00mm	16.00mm	6.00mm	1.90mm	8.00mm
671053		Bright Zinc	M5 x .8	16.00mm	16.00mm	6.00mm	1.90mm	8.00mm
671054		Bright Zinc	M6 x 1.0	16.00mm	16.00mm	6.00mm	1.90mm	8.00mm
671055		Bright Zinc	M8 x 1.25	16.00mm	16.00mm	6.00mm	1.90mm	8.00mm
671056		45	Bright Zinc	M4 x .7	20.00mm	19.50mm	10.60mm	5.10mm
671057	Bright Zinc		M5 x .8	20.00mm	19.50mm	10.60mm	5.10mm	9.80mm
671058	Bright Zinc		M6 x 1.0	20.00mm	19.50mm	10.60mm	5.10mm	9.80mm
671059	Bright Zinc		M8 x 1.25	20.00mm	19.50mm	10.60mm	5.10mm	9.80mm

Fastening Hardware

Drop-In T-Nuts W/Rubber Handle



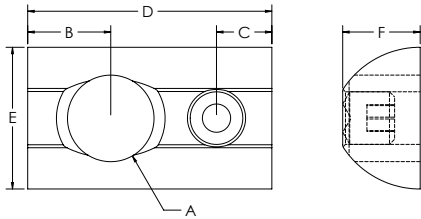
- Reduces assembly time
- Tapered bottom allows for easy loading and removal from extrusion slot
- Drop in slot after ends have been closed off
- Rubber nub holds t-nut in line for bolt connection

Product Information

ITEM#	SERIES	FINISH	A	B	C	D	E	F
651157	10	Black Zinc	10-32	.200"	.100"	.630"	.400"	.200"
651325		Bright Zinc	10-32	.200"	.100"	.630"	.400"	.200"
651435		Stainless Steel	1/4-20	.200"	.100"	.630"	.400"	.200"
651326		Bright Zinc	1/4-20	.200"	.100"	.630"	.400"	.200"
651158		Black Zinc	1/4-20	.200"	.100"	.630"	.400"	.200"
651402		Bright Zinc	M5 x .8	.200"	.100"	.630"	.400"	.200"
651403		Bright Zinc	M6 x 1.0	.200"	.100"	.630"	.400"	.200"
651103	15	Black Zinc	10-32	.300"	.180"	.880"	.510"	.280"
651102		Black Zinc	1/4-20	.300"	.180"	.880"	.510"	.280"
651246		Stainless Steel	1/4-20	.300"	.180"	.880"	.510"	.280"
651101		Black Zinc	5/16-18	.300"	.180"	.880"	.510"	.280"
651318		Bright Zinc	5/16-18	.300"	.180"	.880"	.510"	.280"
651245		Stainless Steel	5/16-18	.300"	.195"	.880"	.510"	.280"
651373		Bright Zinc	M5 x .8	.300"	.195"	.880"	.510"	.280"
651372	15 40	Bright Zinc	M6 x 1.0	.300" 7.62mm	.180" 4.57mm	.880" 22.35mm	.510" 12.95mm	.280" 7.11mm
651371		Bright Zinc	M8 x 1.25	.300" 7.62mm	.180" 4.57mm	.880" 22.35mm	.510" 12.95mm	.280" 7.11mm

Fastening Hardware

Drop-In T-Nuts W/Set Screw



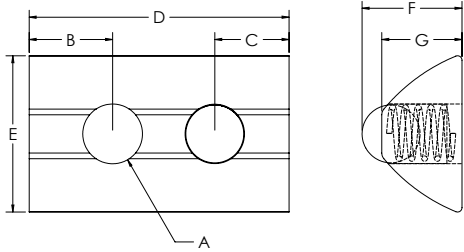
- Reduces assembly time
- Tapered bottom allows for easy loading and removal from extrusion slot
- Drop in slot after ends have been closed off
- Easy to add and reposition

Product Information

ITEM#	SERIES	FINISH	A	B	C	D	E	F	SET SCREW THREAD	
651125	10	Black Zinc	10-32	.200"	.120"	.630"	.400"	.200"	10-32	
651126		Black Zinc	1/4-20	.200"	.100"	.630"	.400"	.200"	10-32	
651317	15	Bright Zinc	10-32	.310"	.195"	.875"	.510"	.285"	10-32	
651122		Black Zinc	10-32	.300"	.200"	.880"	.510"	.280"	10-32	
651123		Black Zinc	1/4-20	.300"	.200"	.880"	.510"	.280"	10-32	
651247		Stainless Steel	1/4-20	.300"	.200"	.880"	.510"	.280"	10-32	
651323		Bright Zinc	1/4-20	.300"	.200"	.880"	.510"	.280"	10-32	
651124		Black Zinc	5/16-18	.300"	.200"	.880"	.510"	.280"	10-32	
651324		Bright Zinc	5/16-18	.300"	.200"	.880"	.510"	.280"	10-32	
651248		Stainless Steel	5/16-18	.300"	.200"	.880"	.510"	.280"	10-32	
651425		15 40	Bright Zinc	M6 x 1.0	.330" 7.62mm	.200" 5.08mm	.880" 22.35mm	.510" 12.95mm	.280" 12.95mm	10-32
651421			Bright Zinc	M8 x 1.25	.330" 7.62mm	.200" 5.08mm	.880" 22.35mm	.510" 12.95mm	.280" 12.95mm	M5 x .8

Fastening Hardware

Drop-In T-Nuts W/Ball Bearing



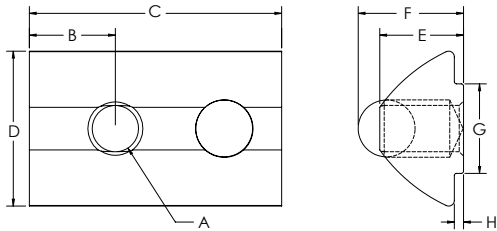
- Reduces assembly time
- Tapered bottom allows for easy loading and removal from extrusion slot
- Drop in slot after ends have been closed off
- Ball bearing holds t-nut in line for bolt connection

Product Information

ITEM#	SERIES	FINISH	A	B	C	D	E	F	G
651467	10	Bright Zinc	8-32	.190"	.190"	.630"	.370"	.250"	.200"
651468		Bright Zinc	10-32	.190"	.190"	.630"	.390"	.250"	.200"
651469		Bright Zinc	1/4-20	.190"	.190"	.630"	.390"	.250"	.200"
651689		Stainless Steel	1/4-20	.190"	.190"	.630"	.390"	.250"	.200"
651471		Bright Zinc	M5 x .8	.190"	.190"	.630"	.390"	.250"	.200"
651472		Bright Zinc	M6 x 1.0	.190"	.190"	.630"	.390"	.250"	.200"
651642	15	Bright Zinc	8-32	.280"	.250"	.880"	.520"	.330"	.270"
651643		Bright Zinc	10-32	.280"	.250"	.880"	.520"	.330"	.270"
651644		Bright Zinc	1/4-20	.280"	.250"	.880"	.520"	.350"	.270"
651645		Bright Zinc	5/16-18	.280"	.250"	.880"	.520"	.340"	.270"
651646	15 40	Bright Zinc	M5 x .8	.280" 7.11mm	.250" 6.35mm	.880" 22.35mm	.520" 13.21mm	.330" 8.38mm	.270" 6.86mm
651647		Bright Zinc	M6 x 1.0	.280" 7.11mm	.250" 6.35mm	.880" 22.35mm	.520" 13.21mm	.330" 8.38mm	.270" 6.86mm
651626	40	Bright Zinc	M6 x 1.0	6.35m	6.00mm	23.00mm	18.00mm	8.60mm	6.80mm
651648	15 40	Bright Zinc	M8 x 1.25	.280" 7.11mm	.250" 6.35mm	.880" 22.35mm	.520" 13.21mm	.330" 8.38mm	.270" 6.86mm

Fastening Hardware

Self-Aligning Drop-In T-Nuts W/Ball Bearing



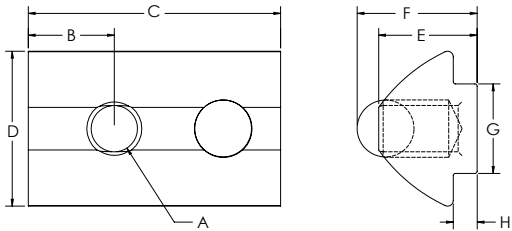
- Reduces assembly time
- Tapered bottom allows for easy loading and removal from extrusion slot
- Drop in slot after ends have been closed off
- Aligns with slot to make connection easy

Product Information

ITEM#	SERIES	FINISH	A	B	C	D	E	F	G	H
664114	15	Bright Zinc	1/4-20	.300"	.870"	.530"	.290"	.350"	.290"	.031"
664115		Bright Zinc	10-32	.300"	.870"	.530"	.290"	.350"	.290"	.031"
664116		Bright Zinc	5/16-18	.300"	.870"	.530"	.290"	.350"	.290"	.031"
664111	15 40	Bright Zinc	M5 x .8	.256" 6.50mm	.870" 22.00mm	.530" 13.50mm	.290" 7.20mm	.350" 8.95mm	.290" 7.80mm	.031" .80mm
664112		Bright Zinc	M6 x .10	.256" 6.50mm	.870" 22.00mm	.530" 13.50mm	.290" 7.20mm	.350" 8.95mm	.290" 7.80mm	.031" .80mm
664113		Bright Zinc	M8 x 1.25	.256" 6.50mm	.870" 22.00mm	.530" 13.50mm	.290" 7.20mm	.350" 8.95mm	.290" 7.80mm	.031" .80mm
651551	20	Bright Zinc	M5 x .8	3.80mm	12.00mm	7.70mm	4.00mm	5.00mm	4.90mm	.60mm
651623	40	Bright Zinc	M4 x .7	7.62mm	22.00mm	13.50mm	7.20mm	8.95mm	7.80mm	.80mm

Fastening Hardware

Self-Aligning Slide-In T-Nuts W/Ball Bearing



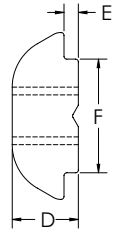
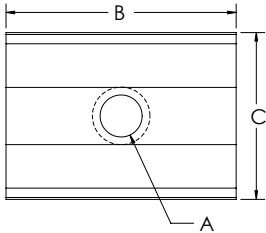
- Reduces assembly time
- Tapered bottom allows for easy loading and removal from extrusion slot
- Drop in slot after ends have been closed off
- Aligns with slot to make connection easy

Product Information

ITEM#	SERIES	FINISH	A	B	C	D	E	F	G	H
651903	15 40	Bright Zinc	1/4-20	.256" 6.50mm	.866" 22.00mm	.670" 17.00mm	.378" 9.60mm	.443" 11.25mm	.311" 7.90mm	.114" 2.90mm
651904		Bright Zinc	5/16-18	.256" 6.50mm	.866" 22.00mm	.670" 17.00mm	.378" 9.60mm	.443" 11.25mm	.311" 7.90mm	.114" 2.90mm
651899		Bright Zinc	M4 x .7	.295" 7.50mm	.866" 22.00mm	.670" 17.00mm	.378" 9.60mm	.443" 11.25mm	.311" 7.90mm	.114" 2.90mm
651900		Bright Zinc	M5 x .8	.295" 7.50mm	.866" 22.00mm	.670" 17.00mm	.378" 9.60mm	.443" 11.25mm	.311" 7.90mm	.114" 2.90mm
651901		Bright Zinc	M6 x 1.0	.295" 7.50mm	.866" 22.00mm	.670" 17.00mm	.378" 9.60mm	.443" 11.25mm	.311" 7.90mm	.114" 2.90mm
651902		Bright Zinc	M8 x 1.25	.295" 7.50mm	.866" 22.00mm	.670" 17.00mm	.378" 9.60mm	.443" 11.25mm	.311" 7.90mm	.114" 2.90mm

Fastening Hardware

Self-Aligning Roll-In T-Nut



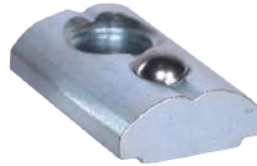
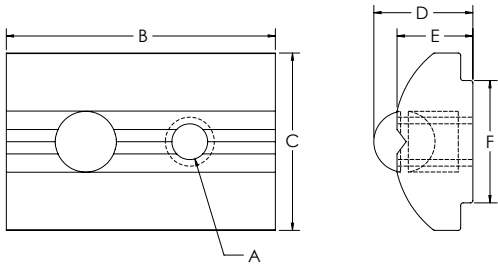
- Reduces assembly time
- Tapered bottom allows for easy loading and removal from extrusion slot
- Drop in slot after ends have been closed off

Product Information

ITEM#	SERIES	FINISH	A	B	C	D	E	F
671068	30	Bright Zinc	M4 x .7	16.00mm	11.60mm	4.60mm	1.00mm	7.90mm
671069		Bright Zinc	M5 x .8	16.00mm	11.60mm	4.60mm	1.00mm	7.90mm
671070		Bright Zinc	M6 x 1.0	16.00mm	11.60mm	4.60mm	1.00mm	7.90mm
671071		Bright Zinc	M8 x 1.25	16.00mm	11.60mm	4.60mm	1.00mm	7.90mm
671064	45	Bright Zinc	M4 x .7	19.00mm	14.00mm	5.20mm	1.50mm	9.90mm
671065		Bright Zinc	M5 x .8	19.00mm	14.00mm	5.20mm	1.50mm	9.90mm
671066		Bright Zinc	M6 x 1.0	19.00mm	14.00mm	5.20mm	1.50mm	9.90mm
671067		Bright Zinc	M8 x 1.25	19.00mm	14.00mm	5.20mm	1.50mm	9.90mm
671317		Bright Zinc	10-32	19.00mm	14.00mm	5.20mm	1.50mm	9.90mm
671315		Bright Zinc	1/4-20	19.00mm	14.00mm	5.20mm	1.50mm	9.90mm

Fastening Hardware

Self-Aligning Roll-In T-Nut W/Ball Bearing

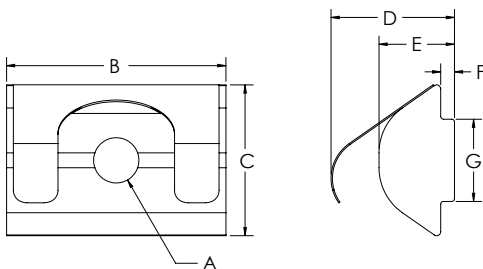


- Reduces assembly time
- Tapered bottom allows for easy loading and removal from extrusion slot
- Drop in slot after ends have been closed off
- Ball bearing holds T-Nut in vertical positioned profile

Product Information

ITEM#	SERIES	FINISH	A	B	C	D	E	F
671060	45	Bright Zinc	M4 x .7	22.00mm	14.50mm	7.10mm	6.20mm	10.00mm
671061		Bright Zinc	M5 x .8	22.00mm	14.50mm	7.10mm	6.20mm	10.00mm
671062		Bright Zinc	M6 x 1.0	22.00mm	14.50mm	7.10mm	6.20mm	10.00mm
671063		Bright Zinc	M8 x 1.25	22.00mm	14.50mm	7.10mm	6.20mm	10.00mm
671307		Stainless Steel	M4 x .7	22.00mm	14.50mm	7.10mm	6.20mm	10.00mm
671308		Stainless Steel	M5 x .8	22.00mm	14.50mm	7.10mm	6.20mm	10.00mm
671309		Stainless Steel	M6 x 1.0	22.00mm	14.50mm	7.10mm	6.20mm	10.00mm
671310		Stainless Steel	M8 x 1.25	22.00mm	14.50mm	7.10mm	6.20mm	10.00mm

Self-Aligning Roll-In T-Nut W/Spring Leaf



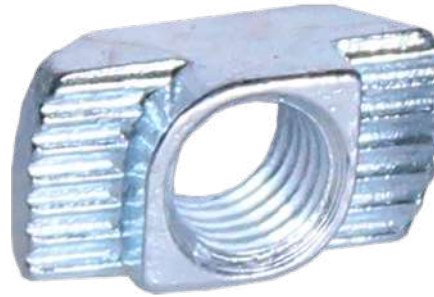
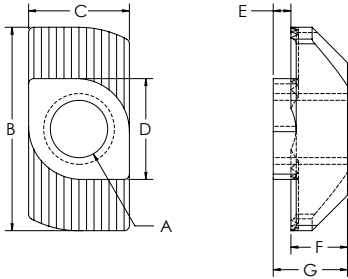
- Reduces assembly time
- Tapered bottom allows for easy loading and removal from extrusion slot
- Drop in slot after ends have been closed off
- Spring leaf holds T-Nut in vertical positioned profile

Product Information

ITEM#	SERIES	FINISH	A	B	C	D	E	F	G
671324	30	Bright Zinc	M4 x .7	16.00mm	11.60mm	9.80mm	4.60mm	1.00mm	7.90mm
671325		Bright Zinc	M5 x .8	16.00mm	11.60mm	9.80mm	4.60mm	1.00mm	7.90mm
671326		Bright Zinc	M6 x 1.0	16.00mm	11.60mm	9.80mm	4.60mm	1.00mm	7.90mm
671327		Bright Zinc	M8 x 1.25	16.00mm	11.60mm	9.80mm	4.60mm	1.00mm	7.90mm
651711	40	Bright Zinc	M5 x .8	22.00mm	13.00mm	13.40mm	7.19mm	.79mm	7.80mm
651712		Bright Zinc	M6 x 1.0	22.00mm	13.00mm	13.40mm	7.19mm	.79mm	7.80mm
651713		Bright Zinc	M8 x 1.25	22.00mm	13.00mm	13.40mm	7.19mm	.79mm	7.80mm

Fastening Hardware

Hammer T-Nuts



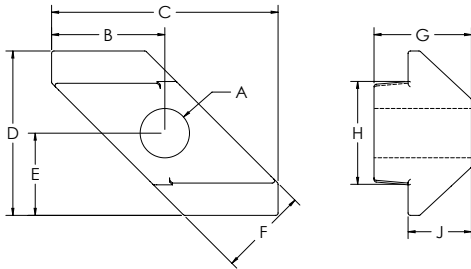
- Loads from end or from the slot
- Ridges fasten to slot after tightening
- Strong connection

Product Information

ITEM#	SERIES	FINISH	A	B	C	D	E	F	G	
671332	20	Bright Zinc	M4 x .7	11.50mm	5.70mm	5.70mm	1.00mm	3.20mm	4.20mm	
671761		Bright Zinc	10-32	11.50mm	5.70mm	5.70mm	1.00mm	3.20mm	4.20mm	
671337	30	Bright Zinc	M4 x .7	16.00mm	7.70mm	7.70mm	1.50mm	4.50mm	6.00mm	
671338		Bright Zinc	M5 x .8	16.00mm	7.70mm	7.70mm	1.50mm	4.50mm	6.00mm	
671339		Bright Zinc	M6 x 1.0	16.00mm	7.70mm	7.70mm	1.50mm	4.50mm	6.00mm	
671340		Stainless Steel	M6 x 1.0	16.00mm	7.70mm	7.70mm	1.50mm	4.50mm	6.00mm	
671336		Bright Zinc	10-32	16.00mm	7.70mm	7.70mm	1.50mm	4.50mm	6.00mm	
671334		Bright Zinc	1/4-20	16.00mm	7.70mm	7.70mm	1.50mm	4.50mm	6.00mm	
671335		Stainless Steel	1/4-20	16.00mm	7.70mm	7.70mm	1.50mm	4.50mm	6.00mm	
671344		45	Bright Zinc	M4 x .7	19.00mm	9.70mm	9.70mm	3.00mm	5.80mm	8.80mm
671347			Bright Zinc	M5 x .8	19.00mm	9.70mm	9.70mm	3.00mm	5.80mm	8.80mm
671348	Bright Zinc		M6 x 1.0	19.00mm	9.70mm	9.70mm	3.00mm	5.80mm	8.80mm	
671349	Stainless Steel		M6 x 1.0	19.00mm	9.70mm	9.70mm	3.00mm	5.80mm	8.80mm	
671350	Bright Zinc		M8 x 1.25	19.00mm	9.70mm	9.70mm	3.00mm	5.80mm	8.80mm	
671351	Stainless Steel		M8 x 1.25	19.00mm	9.70mm	9.70mm	3.00mm	5.80mm	8.80mm	
671343	Bright Zinc		10-32	19.00mm	9.70mm	9.70mm	3.00mm	5.80mm	8.80mm	
671341	Bright Zinc		1/4-20	19.00mm	9.70mm	9.70mm	3.00mm	5.80mm	8.80mm	
671342	Stainless Steel		1/4-20	19.00mm	9.70mm	9.70mm	3.00mm	5.80mm	8.80mm	
671345	Bright Zinc		5/16-18	19.00mm	9.70mm	9.70mm	3.00mm	5.80mm	8.80mm	
671346	Stainless Steel		5/16-18	19.00mm	9.70mm	9.70mm	3.00mm	5.80mm	8.80mm	

Fastening Hardware

Z-Nuts

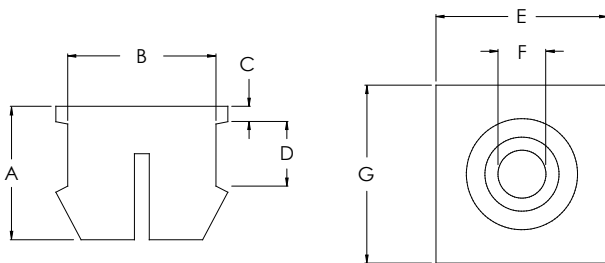


- Design allows for easy loading from extrusion slot

Product Information

ITEM#	SERIES	FINISH	A	B	C	D	E	F	G	H	J
662002	15 40	Bright Zinc	M5 x .8	.380" 9.65mm	.760" 19.30mm	.551" 14.00mm	.276" 7.00mm	.299" 7.60mm	.327" 8.30mm	.345" 8.76mm	.213" 5.41mm
662001		Bright Zinc	M6 x 1.0	.380" 9.65mm	.760" 19.30mm	.551" 14.00mm	.276" 7.00mm	.299" 7.60mm	.327" 8.30mm	.345" 8.76mm	.213" 5.41mm

Expander Nut



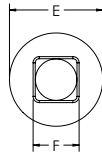
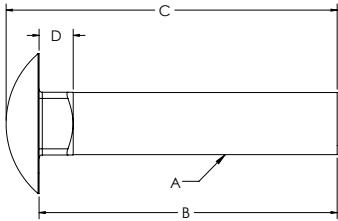
- Allows you to fasten components to profiles

Product Information

ITEM#	SERIES	MATERIAL	A	B	C	D	E	F	G
651684	45	Plastic PA	9.00mm	10.00mm	1.20mm	4.20mm	11.60mm	M4	12.00mm
651685			9.00mm	10.00mm	1.20mm	4.20mm	11.60mm	M5	12.00mm
651897			9.00mm	10.00mm	1.20mm	4.20mm	11.60mm	M6	12.00mm

Fastening Hardware

Economy Slide-In T-slot Stud



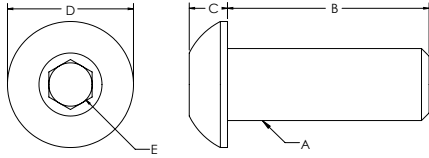
- Extrusion end loading

Product Information

ITEM#	SERIES	FINISH	A	B	C	D	E	F
651054	15	Bright Zinc	5/16-18	.750"	.916"	.172"	.704"	.316"
651255		Stainless Steel	5/16-18	.750"	.916"	.172"	.704"	.316"
651058		Bright Zinc	5/16-18	1.000"	1.166"	.172"	.704"	.316"
651261		Stainless Steel	5/16-18	1.000"	.916"	.172"	.704"	.316"
651063		Bright Zinc	5/16-18	1.250"	1.416"	.172"	.704"	.316"
651066		Bright Zinc	5/16-18	1.500"	1.666"	.172"	.704"	.316"
651107		Bright Zinc	5/16-18	1.750"	1.916"	.172"	.704"	.316"
651378	40	Bright Zinc	M8 x 1.25	20.00mm	24.40mm	5.00mm	19.35mm	8.00mm
651379		Bright Zinc	M8 x 1.25	25.00mm	29.40mm	5.00mm	19.35mm	8.00mm
651380		Bright Zinc	M8 x 1.25	30.00mm	34.40mm	5.00mm	19.35mm	8.00mm
651381		Bright Zinc	M8 x 1.25	35.00mm	39.40mm	5.00mm	19.35mm	8.00mm

Fastening Hardware

Button Head Socket Cap Screws - BHSCS



Product Information

ITEM#	FINISH	A THREAD	B LENGTH	C	D	E
651020	Black Phosphate	6-32	3/8"	.068"	.256"	5/64
699885	Black Phosphate	8-32	3/8"	.082"	.305"	3/32
651006	Black Phosphate	8-32	1/2"	.082"	.305"	3/32
651007	Black Phosphate	8-32	7/8"	.082"	.305"	3/32
651008	Black Phosphate	10-32	3/8"	.096"	.354"	1/8
651302	Stainless Steel	10-32	3/8"	.096"	.354"	1/8
651011	Black Phosphate	10-32	1/2"	.096"	.354"	1/8
651304	Stainless Steel	10-32	1/2"	.096"	.354"	1/8
651012	Black Phosphate	10-32	5/8"	.096"	.354"	1/8
651306	Stainless Steel	10-32	5/8"	.096"	.354"	1/8
651015	Black Phosphate	10-32	3/4"	.096"	.354"	1/8
651019	Black Phosphate	1/4-20	3/8"	.127"	.428"	5/32
651296	Stainless Steel	1/4-20	3/8"	.127"	.428"	5/32
651021	Black Phosphate	1/4-20	1/2"	.127"	.428"	5/32
651298	Stainless Steel	1/4-20	1/2"	.127"	.428"	5/32
651023	Black Phosphate	1/4-20	5/8"	.127"	.428"	5/32
651284	Stainless Steel	1/4-20	5/8"	.127"	.428"	5/32
651025	Black Phosphate	1/4-20	3/4"	.127"	.428"	5/32
651300	Stainless Steel	1/4-20	3/4"	.127"	.428"	5/32
651462	Black Phosphate	1/4-20	1"	.127"	.428"	5/32
651463	Black Phosphate	1/4-20	1-1/4"	.127"	.428"	5/32
651048	Black Phosphate	5/16-18	1/2"	.159"	.537"	3/16
651249	Stainless Steel	5/16-18	1/2"	.159"	.537"	3/16
651051	Black Phosphate	5/16-18	5/8"	.159"	.537"	3/16
651251	Stainless Steel	5/16-18	5/8"	.159"	.537"	3/16
651053	Black Phosphate	5/16-18	3/4"	.159"	.537"	3/16
651253	Stainless Steel	5/16-18	3/4"	.159"	.537"	3/16
651055	Black Phosphate	5/16-18	7/8"	.159"	.537"	3/16
651256	Stainless Steel	5/16-18	7/8"	.159"	.537"	3/16
651056	Black Phosphate	5/16-18	1"	.159"	.537"	3/16
651259	Stainless Steel	5/16-18	1"	.159"	.537"	3/16

Fastening Hardware

Product Information

ITEM#	FINISH	A THREAD	B LENGTH	C	D	E
651842	Black Phosphate	M4 x .7	8.00mm	2.20mm	7.60mm	2.50mm
683366	Black Phosphate	M4 x .7	10.00mm	2.20mm	7.60mm	2.50mm
651843	Black Phosphate	M4 x .7	14.00mm	2.20mm	7.60mm	2.50mm
651844	Black Phosphate	M4 x .7	16.00mm	2.20mm	7.60mm	2.50mm
651615	Black Phosphate	M5 x .8	8.00mm	2.75mm	9.50mm	3.44mm
651625	Bright Zinc	M5 x .8	8.00mm	2.75mm	9.50mm	3.44mm
699939	Black Phosphate	M5 x .8	10.00mm	2.75mm	9.50mm	3.44mm
651839	Black Phosphate	M5 x .8	12.00mm	2.75mm	9.50mm	3.44mm
699938	Black Phosphate	M5 x .8	14.00mm	2.75mm	9.50mm	3.44mm
651840	Black Phosphate	M5 x .8	18.00mm	2.75mm	9.50mm	3.44mm
699936	Black Phosphate	M6 x 1.0	10.00mm	3.15mm	10.35mm	4.58mm
681430	Stainless Steel	M6 x 1.0	10.00mm	3.15mm	10.35mm	4.58mm
651333	Black Phosphate	M6 x 1.0	12.00mm	3.15mm	10.35mm	4.58mm
683512	Stainless Steel	M6 x 1.0	12.00mm	3.15mm	10.35mm	4.58mm
651570	Black Phosphate	M6 x 1.0	14.00mm	3.15mm	10.35mm	4.58mm
683210	Stainless Steel	M6 x 1.0	14.00mm	3.15mm	10.35mm	4.58mm
651335	Black Phosphate	M6 x 1.0	16.00mm	3.15mm	10.35mm	4.58mm
659232	Stainless Steel	M6 x 1.0	16.00mm	3.15mm	10.35mm	4.58mm
651579	Black Phosphate	M6 x 1.0	18.00mm	3.15mm	10.35mm	4.58mm
683044	Stainless Steel	M6 x 1.0	18.00mm	3.15mm	10.35mm	4.58mm
651340	Black Phosphate	M6 x 1.0	20.00mm	3.15mm	10.35mm	4.58mm
651661	Bright Zinc	M6 x 1.0	20.00mm	3.15mm	10.35mm	4.58mm
683163	Stainless Steel	M6 x 1.0	20.00mm	3.15mm	10.35mm	4.58mm
651341	Black Phosphate	M6 x 1.0	25.00mm	3.15mm	10.35mm	4.58mm
651343	Black Phosphate	M8 x 1.25	12.00mm	4.25mm	13.75mm	5.72mm
651580	Black Phosphate	M8 x 1.25	14.00mm	4.25mm	13.75mm	5.72mm
651345	Black Phosphate	M8 x 1.25	16.00mm	4.25mm	13.75mm	5.72mm
681883	Stainless Steel	M8 x 1.25	16.00mm	4.25mm	13.75mm	5.72mm
651581	Black Phosphate	M8 x 1.25	18.00mm	4.25mm	13.75mm	5.72mm
683164	Stainless Steel	M8 x 1.25	18.00mm	4.25mm	13.75mm	5.72mm
651347	Black Phosphate	M8 x 1.25	20.00mm	4.25mm	13.75mm	5.72mm
659929	Stainless Steel	M8 x 1.25	20.00mm	4.25mm	13.75mm	5.72mm
651841	Black Phosphate	M8 x 1.25	22.00mm	4.25mm	13.75mm	5.72mm
651351	Black Phosphate	M8 x 1.25	25.00mm	4.25mm	13.75mm	5.72mm

Fastening Hardware

Button Head Socket Cap Screws Combinations - BHSCS

ITEM#	SERIES	FINISH	BOLT ITEM	THREAD	LENGTH	T-NUT ITEM	T-NUT TYPE	FINISH	WASHER	
651721	10	Black Phosphate	699885	8-32	3/8"	651095	Economy	Black Zinc	--	
651679		Black Phosphate	651019	1/4-20	3/8"	651163	Economy	Black Zinc	--	
651799		Stainless Steel	651296	1/4-20	3/8"	651435	Drop-In	Stainless Steel	--	
651798		Stainless Steel	651296	1/4-20	3/8"	651682	Economy	Stainless Steel	--	
651176		Black Phosphate	651021	1/4-20	1/2"	651163	Economy	Black Zinc	651080	
651177		Black Phosphate	651021	1/4-20	1/2"	651126	Drop-In	Black Zinc	651080	
651171		Black Phosphate	651021	1/4-20	1/2"	651163	Economy	Black Zinc	--	
651172		Black Phosphate	651021	1/4-20	1/2"	651326	Drop-In	Bright Zinc	--	
651490		Black Phosphate	651021	1/4-20	1/2"	651099	DBL Economy	Black Zinc	--	
651795		Stainless Steel	651298	1/4-20	1/2"	651435	Drop-In	Stainless Steel	--	
651794		Stainless Steel	651298	1/4-20	1/2"	651682	Economy	Stainless Steel	--	
651716		Black Phosphate	651023	1/4-20	5/8"	651469	Drop-In	Bright Zinc	--	
651274		Stainless Steel	651284	1/4-20	5/8"	651294	Economy	Stainless Steel	651279	
651216		Black Phosphate	651025	1/4-20	3/4"	651077	Hex Nut	Black Zinc	651080	
651155		Black Phosphate	651025	1/4-20	3/4"	651163	Economy	Black Zinc	651080	
651156		Black Phosphate	651025	1/4-20	3/4"	651326	Drop-In	Black Zinc	651080	
651593		Stainless Steel	683210	M6 x 1.0	14.00mm	651386	Economy	Black Zinc	--	
651594		Stainless Steel	659232	M6 x 1.0	16.00mm	651386	Economy	Black Zinc	--	
651595		Stainless Steel	683044	M6 x 1.0	18.00mm	651386	Economy	Black Zinc	--	
651596		Stainless Steel	683163	M6 x 1.0	20.00mm	651386	Economy	Black Zinc	--	
651726		15	Black Phosphate	651025	1/4-20	3/4"	651644	Drop-In	Bright Zinc	--
651727			Black Phosphate	651025	1/4-20	3/4"	651105	Economy	Black Zinc	--
651722			Black Phosphate	651023	1/4-20	5/8"	651105	Economy	Black Zinc	--
651191			Black Phosphate	651048	5/16-18	1/2"	651097	Economy	Black Zinc	--
651800			Black Phosphate	651048	5/16-18	1/2"	651645	Drop-In	Bright Zinc	--
651802			Stainless Steel	651249	5/16-18	1/2"	651245	Drop-In	Stainless Steel	--
651801	Stainless Steel		651249	5/16-18	1/2"	651288	Economy	Stainless Steel	--	
651797	Stainless Steel		651251	5/16-18	5/8"	651245	Drop-In	Stainless Steel	--	
651796	Stainless Steel		651251	5/16-18	5/8"	651288	Economy	Stainless Steel	--	
651806	Black Phosphate		651051	5/16-18	5/8"	651645	Drop-In	Bright Zinc	--	
651190	Black Phosphate		651051	5/16-18	5/8"	651097	Economy	Black Zinc	651081	
651192	Black Phosphate		651051	5/16-18	5/8"	651645	Drop-In	Bright Zinc	651081	
651150	Black Phosphate		651051	5/16-18	5/8"	651097	Economy	Black Zinc	--	
651258	Stainless Steel		651251	5/16-18	5/8"	651288	Economy	Stainless Steel	651280	
651809	Black Phosphate		651053	5/16-18	3/4"	651097	Economy	Black Zinc	--	
651808	Black Phosphate		651053	5/16-18	3/4"	651645	Drop-In	Bright Zinc	--	
651193	Black Phosphate		651053	5/16-18	3/4"	651097	Economy	Black Zinc	651081	
651194	Black Phosphate		651053	5/16-18	3/4"	651645	Drop-In	Bright Zinc	651081	
651195	Black Phosphate		651053	5/16-18	3/4"	651078	Hex Nut	Black Zinc	651081	
651265	Stainless Steel		651253	5/16-18	3/4"	651288	Economy	Stainless Steel	651280	
651814	Black Phosphate		651055	5/16-18	7/8"	651645	Drop-In	Bright Zinc	--	

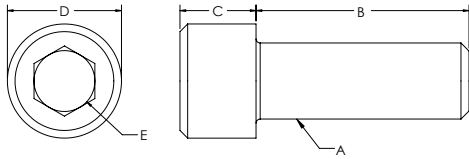
Fastening Hardware

Button Head Socket Cap Screws Combinations - BHSCS

ITEM#	SERIES	FINISH	BOLT ITEM	THREAD	LENGTH	T-NUT ITEM	T-NUT TYPE	FINISH	WASHER
651815	15	Black Phosphate	651055	5/16-18	7/8"	651097	Economy	Black Zinc	--
651197		Black Phosphate	651056	5/16-18	1"	651645	Drop-In	Bright Zinc	651081
651266		Stainless Steel	651259	5/16-18	1"	651288	Economy	Stainless Steel	651280
651750	30	Black Phosphate	699938	M5 x .8	14.00mm	671338	Hammer Nut	Bright Zinc	--
651783		Black Phosphate	699938	M5 x .8	14.00mm	671325	Drop-In	Bright Zinc	--
651706		Black Phosphate	651333	M6 x 1.0	12.00mm	671339	Hammer Nut	Bright Zinc	--
651757		Black Phosphate	651343	M6 x 1.0	12.00mm	671055	Self-Aligning	Bright Zinc	--
651803		Stainless Steel	683512	M6 x 1.0	12.00mm	671340	Hammer Nut	Bright Zinc	--
651747		Black Phosphate	651335	M6 x 1.0	16.00mm	671339	Hammer Nut	Bright Zinc	--
651821		Black Phosphate	651579	M6 x 1.0	18.00mm	671339	Hammer Nut	Bright Zinc	--
651749		Black Phosphate	651340	M6 x 1.0	20.00mm	671339	Hammer Nut	Bright Zinc	--
651751		Black Phosphate	699937	M6 x 1.0	16.00mm	671347	Hammer Nut	Bright Zinc	--
651784		Black Phosphate	699133	M6 x 1.0	18.00mm	671347	Hammer Nut	Bright Zinc	--
651753	45	Black Phosphate	651335	M6 x 1.0	16.00mm	671348	Hammer Nut	Bright Zinc	--
651707		Black Phosphate	651345	M6 x 1.0	16.00mm	671350	Hammer Nut	Bright Zinc	--
651748		Black Phosphate	651579	M6 x 1.0	18.00mm	671348	Hammer Nut	Bright Zinc	--
651828		Black Phosphate	651580	M8 x 1.25	14.00mm	671350	Hammer Nut	Bright Zinc	--
651804		Stainless Steel	681883	M8 x 1.25	16.00mm	671351	Hammer Nut	Bright Zinc	--
651708		Black Phosphate	651581	M8 x 1.25	18.00mm	671350	Hammer Nut	Bright Zinc	--
651805		Stainless Steel	683164	M8 x 1.25	18.00mm	671351	Hammer Nut	Bright Zinc	--
651829		Black Phosphate	651347	M8 x 1.25	20.00mm	671350	Hammer Nut	Bright Zinc	--
651830		Black Phosphate	651351	M8 x 1.25	25.00mm	671350	Hammer Nut	Bright Zinc	--
651709		20	Black Phosphate	651615	M5 x .8	8.00mm	651551	Drop-In	Bright Zinc
651601	40	Stainless Steel	683210	M6 x 1.0	14.00mm	651366	Economy	Black Zinc	--
651771		Black Phosphate	651335	M6 x 1.0	16.00mm	651366	Economy	Black Zinc	--
651602		Stainless Steel	659232	M6 x 1.0	16.00mm	651366	Economy	Black Zinc	--
651793		Black Phosphate	651579	M6 x 1.0	16.00mm	651366	Economy	Black Zinc	--
651603		Stainless Steel	683044	M6 x 1.0	18.00mm	651366	Economy	Black Zinc	--
651772		Black Phosphate	651340	M6 x 1.0	20.00mm	651352	Hex Nut	Black Zinc	--
651604		Stainless Steel	683163	M6 x 1.0	20.00mm	651366	Economy	Black Zinc	--
651767		Black Phosphate	651343	M8 x 1.25	12.00mm	651367	Economy	Black Zinc	--
651817		Black Phosphate	651580	M8 x 1.25	14.00mm	651648	Drop-In	Bright Zinc	--
651507		Black Phosphate	651345	M8 x 1.25	16.00mm	651395	Standard	Black Zinc	--
651508		Black Phosphate	651345	M8 x 1.25	16.00mm	651648	Drop-In	Bright Zinc	--
651506		Black Phosphate	651345	M8 x 1.25	16.00mm	651367	Economy	Black Zinc	--
651521		Black Phosphate	651345	M8 x 1.25	16.00mm	651461	DBL Economy	Black Zinc	--
651605		Stainless Steel	681883	M8 x 1.25	16.00mm	651366	Economy	Black Zinc	--
651606		Stainless Steel	683164	M8 x 1.25	18.00mm	651366	Economy	Black Zinc	--
651820		Black Phosphate	651347	M8 x 1.25	20.00mm	651648	Drop-In	Bright Zinc	--
651788		Black Phosphate	651347	M8 x 1.25	20.00mm	651367	Economy	Black Zinc	--
651607		Stainless Steel	659929	M8 x 1.25	20.00mm	651366	Economy	Black Zinc	--

Fastening Hardware

Socket Head Cap Screws - SHCS



Product Information

ITEM#	FINISH	A THREAD	B LENGTH	C	D	E
651479	Black Phosphate	6-32	3/8"	.138"	.226"	7/64
658590	Black Phosphate	8-32	7/16"	0.162"	0.266"	9/64
658591	Black Phosphate	8-32	5/8"	0.162"	0.266"	9/64
658588	Black Phosphate	8-32	3/4"	0.162"	0.266"	9/64
658589	Black Phosphate	8-32	1"	0.162"	0.266"	9/64
651009	Black Phosphate	10-32	3/8"	0.188"	0.305"	5/32
651301	Stainless Steel	10-32	3/8"	0.188"	0.305"	5/32
651010	Black Phosphate	10-32	1/2"	0.188"	0.305"	5/32
651303	Stainless Steel	10-32	1/2"	0.188"	0.305"	5/32
651013	Black Phosphate	10-32	5/8"	0.188"	0.305"	5/32
651305	Stainless Steel	10-32	5/8"	0.188"	0.305"	5/32
651017	Black Phosphate	10-32	3/4"	0.188"	0.305"	5/32
651293	Stainless Steel	10-32	3/4"	0.188"	0.305"	5/32
651018	Black Phosphate	1/4-20	3/8"	0.247"	0.366"	3/16
651295	Stainless Steel	1/4-20	3/8"	0.247"	0.366"	3/16
651022	Black Phosphate	1/4-20	1/2"	0.247"	0.366"	3/16
651297	Stainless Steel	1/4-20	1/2"	0.247"	0.366"	3/16
651024	Black Phosphate	1/4-20	5/8"	0.247"	0.366"	3/16
651027	Black Phosphate	1/4-20	3/4"	0.247"	0.366"	3/16
651299	Stainless Steel	1/4-20	3/4"	0.247"	0.366"	3/16
651028	Black Phosphate	1/4-20	7/8"	0.247"	0.366"	3/16
651029	Black Phosphate	1/4-20	1"	0.247"	0.366"	3/16
651286	Stainless Steel	1/4-20	1"	0.247"	0.366"	3/16
651030	Black Phosphate	1/4-20	1-1/4"	0.247"	0.366"	3/16
651031	Black Phosphate	1/4-20	1-1/2"	0.247"	0.366"	3/16
651494	Black Phosphate	1/4-20	2"	0.247"	0.366"	3/16
651489	Black Phosphate	1/4-20	2-1/2"	0.247"	0.366"	3/16
651049	Black Phosphate	5/16-18	1/2"	0.309"	0.463"	1/4
651250	Stainless Steel	5/16-18	1/2"	0.309"	0.463"	1/4
651050	Black Phosphate	5/16-18	5/8"	0.309"	0.463"	1/4
651252	Stainless Steel	5/16-18	5/8"	0.309"	0.463"	1/4

Fastening Hardware

Product Information

ITEM#	FINISH	A THREAD	B LENGTH	C	D	E
651052	Black Phosphate	5/16-18	3/4"	0.309"	0.463"	1/4
651254	Stainless Steel	5/16-18	3/4"	0.309"	0.463"	1/4
651057	Black Phosphate	5/16-18	7/8"	0.309"	0.463"	1/4
651257	Stainless Steel	5/16-18	7/8"	0.309"	0.463"	1/4
651059	Black Phosphate	5/16-18	1"	0.309"	0.463"	1/4
651260	Stainless Steel	5/16-18	1"	0.309"	0.463"	1/4
651060	Black Phosphate	5/16-18	1-1/4"	0.309"	0.463"	1/4
651262	Stainless Steel	5/16-18	1-1/4"	0.309"	0.463"	1/4
651064	Black Phosphate	5/16-18	1-1/2"	0.309"	0.463"	1/4
651650	Black Phosphate	5/16-18	1-3/4"	0.309"	0.463"	1/4
651651	Black Phosphate	5/16-18	2"	0.309"	0.463"	1/4
651652	Black Phosphate	5/16-18	2-1/4"	0.309"	0.463"	1/4
651653	Black Phosphate	5/16-18	2-1/2"	0.309"	0.463"	1/4
651654	Black Phosphate	5/16-18	3"	0.309"	0.463"	1/4
651488	Black Phosphate	5/16-18	3-1/2"	0.309"	0.463"	1/4
651061	Black Phosphate	3/8-16	1"	0.372"	0.558"	5/16
651062	Black Phosphate	3/8-16	3/4"	0.372"	0.558"	5/16
682877	Black Zinc	M5 x .8	12.00mm	4.91mm	8.33mm	4.58mm
699933	Black Phosphate	M5 x .8	16.00mm	4.91mm	8.33mm	4.58mm
699932	Black Phosphate	M6 x 1.0	10.00mm	5.85mm	10.00mm	5.72mm
651332	Black Phosphate	M6 x 1.0	12.00mm	5.85mm	10.00mm	5.72mm
651546	Black Phosphate	M6 x 1.0	14.00mm	5.85mm	10.00mm	5.72mm
658467	Stainless Steel	M6 x 1.0	14.00mm	5.85mm	10.00mm	5.72mm
651334	Black Phosphate	M6 x 1.0	16.00mm	5.85mm	10.00mm	5.72mm
680015	Stainless Steel	M6 x 1.0	16.00mm	5.85mm	10.00mm	5.72mm
651573	Black Phosphate	M6 x 1.0	18.00mm	5.85mm	10.00mm	5.72mm
683159	Stainless Steel	M6 x 1.0	18.00mm	5.85mm	10.00mm	5.72mm
651337	Black Phosphate	M6 x 1.0	20.00mm	5.85mm	10.00mm	5.72mm
683162	Stainless Steel	M6 x 1.0	20.00mm	5.85mm	10.00mm	5.72mm
651338	Black Phosphate	M6 x 1.0	25.00mm	5.85mm	10.00mm	5.72mm
658592	Black Phosphate	M6 x 1.0	35.00mm	5.85mm	10.00mm	5.72mm
651342	Black Phosphate	M8 x 1.25	12.00mm	7.82mm	13.10mm	6.86mm
651575	Black Phosphate	M8 x 1.25	14.00mm	7.82mm	13.10mm	6.86mm
651344	Black Phosphate	M8 x 1.25	16.00mm	7.82mm	13.10mm	6.86mm
683160	Stainless Steel	M8 x 1.25	16.00mm	7.82mm	13.10mm	6.86mm
651577	Black Phosphate	M8 x 1.25	18.00mm	7.82mm	13.10mm	6.86mm
683161	Stainless Steel	M8 x 1.25	18.00mm	7.82mm	13.10mm	6.86mm
651346	Black Phosphate	M8 x 1.25	20.00mm	7.82mm	13.10mm	6.86mm
681379	Stainless Steel	M8 x 1.25	20.00mm	7.82mm	13.10mm	6.86mm
651350	Black Phosphate	M8 x 1.25	25.00mm	7.82mm	13.10mm	6.86mm

Fastening Hardware

Socket Head Cap Screws - SHCS - Continued

Product Information

ITEM#	FINISH	A THREAD	B LENGTH	C	D	E
651616	Black Phosphate	M8 x 1.25	30.00mm	7.82mm	13.10mm	6.86mm
651354	Bright Zinc	M8 x 1.25	30.00mm	7.82mm	13.10mm	6.86mm
682660	Black Phosphate	M8 x 1.25	35.00mm	7.82mm	13.10mm	6.86mm
651542	Black Phosphate	M8 x 1.25	40.00mm	7.82mm	13.10mm	6.86mm
651562	Black Phosphate	M8 x 1.25	45.00mm	7.82mm	13.10mm	6.86mm
651553	Black Phosphate	M8 x 1.25	50.00mm	7.82mm	13.10mm	6.86mm
651563	Black Phosphate	M8 x 1.25	60.00mm	7.82mm	13.10mm	6.86mm
651564	Black Phosphate	M8 x 1.25	80.00mm	7.82mm	13.10mm	6.86mm
651552	Black Phosphate	M8 x 1.25	90.00mm	7.82mm	13.10mm	6.00mm
651541	Black Phosphate	M10 x 1.50	40.00mm	9.82mm	13.10mm	8.10mm

Socket Head Cap Screws Combinations - SHCS

ITEM#	SERIES	FINISH	BOLT ITEM	THREAD	LENGTH	T-NUT ITEM	T-NUT TYPE	FINISH	WASHER
651732	10	Black Phosphate	658591	8-32	5/8"	651642	Drop-In	Bright Zinc	--
651723		Black Phosphate	683703	8-32	5/8"	651449	Hex Nut	Bright Zinc	683704
651730		Black Phosphate	658588	8-32	3/4"	651467	Drop-In	Bright Zinc	--
651731		Black Phosphate	658589	8-32	1"	651642	Drop-In	Bright Zinc	--
651781		Black Phosphate	651010	10-32	1/2"	651468	Drop-In	Bright Zinc	--
651782		Black Phosphate	651013	10-32	5/8"	651643	Drop-In	Bright Zinc	--
651206		Black Phosphate	651013	10-32	5/8"	651014	Hex Nut	Black Zinc	651016
651234		Black Phosphate	651022	1/4-20	1/2"	651163	Economy	Black Zinc	--
651235		Black Phosphate	651022	1/4-20	1/2"	651469	Drop-In	Bright Zinc	--
651733		Black Phosphate	651022	1/4-20	1/2"	651075	Standard	Black Zinc	--
651236		Black Phosphate	651024	1/4-20	5/8"	651163	Economy	Black Zinc	--
651240		Black Phosphate	651024	1/4-20	5/8"	651163	Economy	Black Zinc	651080
651241		Black Phosphate	651024	1/4-20	5/8"	651158	Drop-In	Black Zinc	651080
651117		Black Phosphate	651027	1/4-20	3/4"	651163	Economy	Black Zinc	--
651175		Black Phosphate	651027	1/4-20	3/4"	651158	Drop-In	Black Zinc	--
651118		Black Phosphate	651028	1/4-20	7/8"	651163	Economy	Black Zinc	--
651735		Black Phosphate	651028	1/4-20	7/8"	651105	Economy	Black Zinc	--
65173		Black Phosphate	651029	1/4-20	1"	651105	Economy	Black Zinc	--
651119		Black Phosphate	651029	1/4-20	1"	651163	Economy	Black Zinc	--
651120		Black Phosphate	651030	1/4-20	1-1/4"	651163	Economy	Black Zinc	--
651737		Black Phosphate	651030	1/4-20	1-1/4"	651105	Economy	Black Zinc	--
651121		Black Phosphate	651031	1/4-20	1-1/2"	651163	Economy	Black Zinc	--
651738		Black Phosphate	651031	1/4-20	1-1/2"	651105	Economy	Black Zinc	--

Fastening Hardware

Socket Head Cap Screws Combinations - SHCS

ITEM#	SERIES	FINISH	BOLT ITEM	THREAD	LENGTH	T-NUT ITEM	T-NUT TYPE	FINISH	WASHER	
651483	10	Black Phosphate	651489	1/4-20	2-1/2"	651163	Economy	Black Zinc	--	
651597		Stainless Steel	658467	M6 x 1.0	14.00mm	651386	Economy	Black Zinc	--	
651734		Black Phosphate	651334	M6 x 1.0	16.00mm	651386	Economy	Black Zinc	--	
651598		Stainless Steel	680015	M6 x 1.0	16.00mm	651386	Economy	Black Zinc	--	
651599		Stainless Steel	683159	M6 x 1.0	18.00mm	651386	Economy	Black Zinc	--	
651600		Stainless Steel	683162	M6 x 1.0	20.00mm	651386	Economy	Black Zinc	--	
651199	15	Black Phosphate	651049	5/16-18	1/2"	651097	Economy	Black Zinc	--	
651267		Stainless Steel	651250	5/16-18	1/2"	651288	Economy	Stainless Steel	--	
651201		Black Phosphate	651050	5/16-18	5/8"	651097	Economy	Black Zinc	--	
651209		Black Phosphate	651050	5/16-18	5/8"	651097	Economy	Black Zinc	651081	
651268		Stainless Steel	651252	5/16-18	5/8"	651288	Economy	Stainless Steel	--	
651202		Black Phosphate	651052	5/16-18	3/4"	651097	Economy	Black Zinc	--	
651213		Black Phosphate	651052	5/16-18	3/4"	651097	Economy	Black Zinc	651081	
651215		Black Phosphate	651052	5/16-18	3/4"	651645	Drop-In	Bright Zinc	651081	
651205		Black Phosphate	651057	5/16-18	7/8"	651097	Economy	Black Zinc	--	
651207		Black Phosphate	651057	5/16-18	7/8"	651645	Drop-In	Bright Zinc	--	
651198		Black Phosphate	651057	5/16-18	7/8"	651078	Hex Nut	Black Zinc	651081	
651217		Black Phosphate	651059	5/16-18	1"	651097	Economy	Black Zinc	651081	
651482		Black Phosphate	651060	5/16-18	1-1/4"	651097	Economy	Black Zinc	--	
651487		Black Phosphate	651064	5/16-18	1-1/2"	651097	Economy	Black Zinc	--	
651485		Black Phosphate	651654	5/16-18	3"	651097	Economy	Black Zinc	--	
651486		Black Phosphate	651488	5/16-18	3-1/2"	651097	Economy	Black Zinc	--	
651701		20	Black Phosphate	680748	M4 x .8	8.00mm	671332	Hammer Nut	Bright Zinc	--
651846			Black Phosphate	651332	M6 x 1.0	12.00mm	671767	Self-Aligning	Bright Zinc	651388
651754	30	Black Phosphate	680748	M4 x .8	8.00mm	671337	Hammer Nut	Bright Zinc	--	
651761		Black Phosphate	699932	M6 x 1.0	10.00mm	671339	Hammer Nut	Bright Zinc	--	
651744		Black Phosphate	651546	M6 x 1.0	14.00mm	671339	Hammer Nut	Bright Zinc	--	
651702		Black Phosphate	651546	M6 x 1.0	14.00mm	671054	Self-Aligning	Bright Zinc	--	
651762		Black Phosphate	651334	M6 x 1.0	16.00mm	671339	Hammer Nut	Bright Zinc	--	
651759		Black Phosphate	651342	M8 x 1.25	12.00mm	671055	Self-Aligning	Bright Zinc	--	
651763		Black Phosphate	651575	M8 x 1.25	14.00mm	671055	Self-Aligning	Bright Zinc	--	
651755		Black Phosphate	651586	M4 x .7	12.00mm	671344	Hammer Nut	Bright Zinc	--	
651758	45	Black Phosphate	651332	M6 x 1.0	12.00mm	671348	Hammer Nut	Bright Zinc	--	
651791		Black Phosphate	651546	M6 x 1.0	14.00mm	671348	Hammer Nut	Bright Zinc	--	
651745		Black Phosphate	651334	M6 x 1.0	16.00mm	671348	Hammer Nut	Bright Zinc	--	
651746		Black Phosphate	651573	M6 x 1.0	18.00mm	671348	Hammer Nut	Bright Zinc	--	
651743		Black Phosphate	651344	M8 x 1.25	16.00mm	671350	Hammer Nut	Bright Zinc	--	
651764		Black Phosphate	651344	M8 x 1.25	16.00mm	671059	Self-Aligning	Bright Zinc	--	
651705		Black Phosphate	651346	M8 x 1.25	20.00mm	671059	Self-Aligning	Bright Zinc	--	
651847		20	Black Zinc	682877	M5 x .7	12.00mm	651551	Drop-In	Bright Zinc	--
651787	40	Black Phosphate	699933	M5 x .7	16.00mm	651646	Drop-In	Bright Zinc	--	

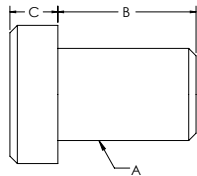
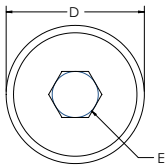
Fastening Hardware

FASTENERS

Socket Head Cap Screws Combinations - SHCS

ITEM#	SERIES	FINISH	BOLT ITEM	THREAD	LENGTH	T-NUT ITEM	T-NUT TYPE	FINISH	WASHER
651776	40	Black Phosphate	651332	M6 x 1.0	12.00mm	651366	Economy	Black Zinc	--
651608		Stainless Steel	658467	M6 x 1.0	14.00mm	651366	Economy	Black Zinc	--
651774		Black Phosphate	651334	M6 x 1.0	16.00mm	651366	Economy	Black Zinc	--
651609		Stainless Steel	680015	M6 x 1.0	16.00mm	651366	Economy	Black Zinc	--
651610		Stainless Steel	683159	M6 x 1.0	18.00mm	651366	Economy	Black Zinc	--
651775		Black Phosphate	651337	M6 x 1.0	20.00mm	651366	Economy	Black Zinc	--
651611		Stainless Steel	683162	M6 x 1.0	20.00mm	651366	Economy	Black Zinc	--
651777		Black Phosphate	651338	M6 x 1.0	25.00mm	651366	Economy	Black Zinc	--
651778		Black Phosphate	682072	M6 x 1.0	30.00mm	651366	Economy	Black Zinc	--
651779		Black Phosphate	682542	M6 x 1.0	40.00mm	651366	Economy	Black Zinc	--
651780		Black Phosphate	651344	M8 x 1.25	16.00mm	651367	Economy	Black Zinc	--
651612		Stainless Steel	683160	M8 x 1.25	16.00mm	651367	Economy	Black Zinc	--
651769		Black Phosphate	651577	M8 x 1.25	18.00mm	651367	Economy	Black Zinc	--
651613		Stainless Steel	683161	M8 x 1.25	18.00mm	651367	Economy	Black Zinc	--
651614		Stainless Steel	681379	M8 x 1.25	20.00mm	651367	Economy	Black Zinc	--
651512		Black Phosphate	651344	M8 x 1.25	16.00mm	651367	Economy	Bright Zinc	--
651426		Black Phosphate	651346	M8 x 1.25	20.00mm	651367	Economy	Bright Zinc	--

Low Head Socket Cap Screws - LHSCS

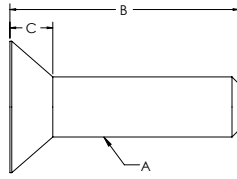
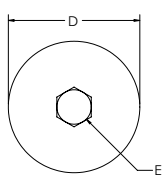


Product Information

ITEM#	FINISH	A THREAD	B LENGTH	C	D	E
651474	Black Zinc	1/4-20	3/8"	.123"	0.372"	.125"
651003	Black Phosphate	1/4-20	1"	.123"	0.372"	.125"
651004	Black Phosphate	5/16-18	1-1/4"	.154"	0.434"	.156"
683074	Stainless Steel	M8 x 1.25	25.00mm	5.00mm	13.00mm	5.00mm
682961	Black Phosphate	M8 x 1.25	30.00mm	4.93mm	12.90mm	5.00mm

Fastening Hardware

Flat Head Socket Cap Screws - FHSCS



Product Information

ITEM#	FINISH	A THREAD	B LENGTH	C	D	E
651466	Black Phosphate	6-32	1/2"	0.097"	0.285"	5/64
651188	Black Phosphate	6-32	3/8"	0.097"	0.285"	5/64
651005	Black Zinc	10-32	1/2"	0.127"	0.385"	1/8
651179	Black Phosphate	10-32	1/2"	0.127"	0.385"	1/8
651178	Black Phosphate	1/4-20	1/2"	0.161"	0.505"	5/32
651180	Black Phosphate	1/4-20	5/8"	0.161"	0.505"	5/32
651540	Black Phosphate	1/4-20	3/4"	0.161"	.505"	5/32
651181	Black Phosphate	5/16-18	5/8"	0.198"	0.628"	3/16
651182	Black Phosphate	5/16-18	3/4"	0.198"	0.628"	3/16
658017	Black Phosphate	5/16-18	1"	0.198"	0.628"	3/16
651187	Black Phosphate	3/8-16	3/4"	0.234"	0.751"	7/32
651680	Black Phosphate	M4 x .7	8.00mm	2.20mm	8.00mm	2.50mm
651831	Black Phosphate	M4 x .7	10.00mm	2.20mm	8.00mm	2.50mm
683510	Black Phosphate	M4 x .7	14.00mm	2.20mm	8.00mm	2.50mm
651832	Black Phosphate	M4 x .7	16.00mm	2.20mm	8.00mm	2.50mm
651836	Black Phosphate	M5 x .8	8.00mm	3.00mm	9.70mm	3.00mm
651837	Black Phosphate	M5 x .8	10.00mm	3.00mm	9.70mm	3.00mm
651838	Black Phosphate	M5 x .8	12.00mm	3.00mm	9.70mm	3.00mm
682876	Black Phosphate	M5 x .8	14.00mm	3.00mm	9.70mm	3.00mm
682924	Black Phosphate	M5 x .8	16.00mm	3.00mm	9.70mm	3.00mm
651834	Black Phosphate	M5 x .8	18.00mm	3.00mm	9.70mm	3.00mm
651582	Black Phosphate	M5 x .8	20.00mm	3.00mm	9.70mm	3.00mm
651833	Black Phosphate	M6 x 1.0	10.00mm	3.72mm	11.78mm	4.00mm
651515	Black Phosphate	M6 x 1.0	12.00mm	3.72mm	11.78mm	4.00mm
651571	Black Phosphate	M6 x 1.0	14.00mm	3.72mm	11.78mm	4.00mm
651516	Black Phosphate	M6 x 1.0	16.00mm	3.72mm	11.78mm	4.00mm
651572	Black Phosphate	M6 x 1.0	18.00mm	3.72mm	11.78mm	4.00mm
651549	Black Phosphate	M6 x 1.0	20.00mm	3.72mm	11.78mm	4.00mm
683581	Black Phosphate	M6 x 1.0	22.00mm	3.72mm	11.78mm	4.00mm
651578	Black Phosphate	M8 x 1.25	12.00mm	4.96mm	15.66mm	5.00mm
651574	Black Phosphate	M8 x 1.25	14.00mm	4.96mm	15.66mm	5.00mm

Fastening Hardware

Flat Head Socket Cap Screws - FHSCS - Continued

Product Information

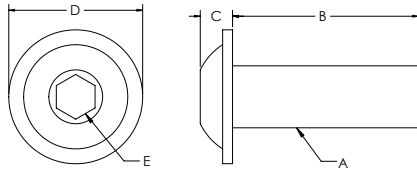
ITEM#	FINISH	A THREAD	B LENGTH	C	D	E
651517	Black Phosphate	M8 x 1.25	16.00mm	4.96mm	15.66mm	5.00mm
651576	Black Phosphate	M8 x 1.25	18.00mm	4.96mm	15.85mm	5.00mm
651518	Bright Zinc	M8 x 1.25	20.00mm	4.96mm	15.85mm	5.00mm
651835	Black Phosphate	M8 x 1.25	22.00mm	4.96mm	15.85mm	5.00mm

Flat Head Socket Cap Screws Combinations - FHSCS

ITEM#	SERIES	FINISH	BOLT ITEM	THREAD	LENGTH	T-NUT ITEM	T-NUT TYPE	FINISH	WASHER
651185	10	Black Phosphate	651178	1/4-20	1/2"	651163	Economy	Black Zinc	--
651186		Black Phosphate	651178	1/4-20	1/2"	651158	Drop-In	Black Zinc	--
651545	15	Black Phosphate	651180	1/4-20	5/8"	651105	Economy	Black Zinc	--
651183		Black Phosphate	651181	5/16-18	5/8"	651097	Economy	Black Zinc	--
651184	30	Black Phosphate	651181	5/16-18	5/8"	651645	Drop-In	Bright Zinc	--
651728		Black Phosphate	682924	M5 x .8	16.00mm	671338	Hammer Nut	Bright Zinc	--
651789		Black Phosphate	651515	M6 x 1.0	12.00mm	671339	Hammer Nut	Bright Zinc	--
651739	45	Black Phosphate	651571	M6 x 1.0	14.00mm	671339	Hammer Nut	Bright Zinc	--
651760		Black Phosphate	651582	M5 x .8	20.00mm	671347	Hammer Nut	Bright Zinc	--
651790		Black Phosphate	651515	M6 x 1.0	12.00mm	671348	Hammer Nut	Bright Zinc	--
651740		Black Phosphate	651572	M6 x 1.0	18.00mm	671348	Hammer Nut	Bright Zinc	--
651742		Black Phosphate	651549	M6 x 1.0	20.00mm	671348	Hammer Nut	Bright Zinc	--
651792	40	Black Phosphate	651576	M8 x 1.25	18.00mm	671350	Hammer Nut	Bright Zinc	--
651729		Black Phosphate	651582	M5 x .8	20.00mm	671338	Hammer Nut	Bright Zinc	--
651768		Black Phosphate	651571	M6 x 1.0	14.00mm	651366	Economy	Black Zinc	--
651773		Black Phosphate	651516	M6 x 1.0	16.00mm	651366	Economy	Black Zinc	--
651741		Black Phosphate	651516	M6 x 1.0	20.00mm	651352	Hex Nut	Black Zinc	--
651818		Black Phosphate	651517	M8 x 1.25	16mm	651645	Drop-In	Bright Zinc	--

Fastening Hardware

Flanged Button Head Socket Cap Screws - FBHSCS



Product Information

ITEM#	FINISH	A THREAD	B LENGTH	C	D	E
651169	Black Phosphate	1/4-20	3/8"	.130"	.540"	3/16
651136	Black Phosphate	1/4-20	1/2"	.130"	.540"	3/16
651026	Black Phosphate	1/4-20	3/4"	.130"	.540"	3/16
651135	Black Phosphate	5/16-18	1/2"	.174"	.675"	1/4
651134	Black Phosphate	5/16-18	11/16"	.174"	.675"	1/4
651634*	Black Phosphate	5/16-18	11/16"	.174"	.675"	1/4

*Comes with Loctite

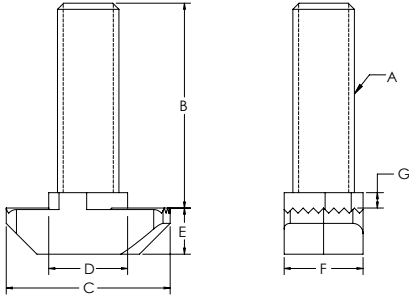
Flanged Button Head Socket Cap Screws Combination

ITEM#	SERIES	FINISH	BOLT ITEM	THREAD	LENGTH	T-NUT ITEM	T-NUT TYPE	FINISH	WASHER
651166	10	Black Phosphate	651169	1/4-20	3/8"	651163	Economy	Black Zinc	--
651130		Black Phosphate	651136	1/4-20	1/2"	651163	Economy	Black Zinc	--
651224		Black Phosphate	651136	1/4-20	1/2"	651326	Drop-In	Bright Zinc	--
651142		Black Phosphate	651136	1/4-20	1/2"	651099	DBL Economy	Black Zinc	--
651144		Black Phosphate	651136	1/4-20	1/2"	651106	TRPL Economy	Black Zinc	--
651164		Black Phosphate	651026	1/4-20	3/4"	651163	Economy	Black Zinc	--
651228		Black Phosphate	651026	1/4-20	3/4"	651326	Drop-In	Black Zinc	--
651002		Black Phosphate	651026	1/4-20	3/4"	651077	Hex Nut	Black Zinc	651080
651127	15	Black Phosphate	651135	5/16-18	1/2"	651645	Drop-In	Bright Zinc	--
651128		Black Phosphate	651135	5/16-18	1/2"	651097	Economy	Black Zinc	--
651000		Black Phosphate	651135	5/16-18	1/2"	651098	DBL Economy	Black Zinc	--
651132		Black Phosphate	651134	5/16-18	11/16"	651645	Drop In	Bright Zinc	--
651210		Black Phosphate	651134	5/16-18	11/16"	651078	Hex Nut	Black Zinc	651081
651129		Black Phosphate	651134	5/16-18	11/16"	651097	Economy	Black Zinc	--
651141		Black Phosphate	651134	5/16-18	11/16"	651098	DBL Economy	Black Zinc	--
651143		Black Phosphate	651134	5/16-18	11/16"	651104	TRPL Economy	Black Zinc	--
651635*		Black Phosphate	651634	5/16-18	11/16"	651097	Economy	Black Zinc	--
651636*		Black Phosphate	651634	5/16-18	11/16"	651098	DBL Economy	Black Zinc	--
651637*	Black Phosphate	651634	5/16-18	11/16"	651104	TRPL Economy	Black Zinc	--	

*Comes with Loctite

Fastening Hardware

Hammer Head Screw



Product Information

ITEM#	FINISH	SERIES	A THREAD	B LENGTH	C	D	E	F	G
671352	Zinc Plated Steel	30	M6 x 1.0	20.00mm	16.00mm	7.70mm	4.50mm	7.70mm	3.00mm
671354	Zinc Plated Steel		M6 x 1.0	25.00mm	16.00mm	7.70mm	4.50mm	7.70mm	3.00mm
671356	Zinc Plated Steel		M6 x 1.0	30.00mm	16.00mm	7.70mm	4.50mm	7.70mm	3.00mm
671358	Zinc Plated Steel		M6 x 1.0	40.00mm	16.00mm	7.70mm	4.5mm0	7.70mm	3.00mm
671360	Zinc Plated Steel		M6 x 1.0	60.00mm	16.00mm	7.70mm	4.50mm	7.70mm	3.00mm
671362	Zinc Plated Steel	45	M6 x 1.0	20.00mm	19.00mm	9.70mm	5.80mm	9.70mm	3.00mm
671364	Zinc Plated Steel		M6 x 1.0	25.00mm	19.00mm	9.70mm	5.80mm	9.70mm	3.00mm
671366	Zinc Plated Steel		M6 x 1.0	30.00mm	19.00mm	9.70mm	5.80mm	9.70mm	3.00mm
671368	Zinc Plated Steel		M6 x 1.0	40.00mm	19.00mm	9.70mm	5.80mm	9.70mm	3.00mm
671370	Zinc Plated Steel		M6 x 1.0	60.00mm	19.00mm	9.70mm	5.80mm	9.70mm	3.00mm
671372	Zinc Plated Steel		M8 x 1.25	20.00mm	19.00mm	9.70mm	5.70mm	8.50mm	3.00mm
671374	Zinc Plated Steel		M8 x 1.25	25.00mm	19.00mm	9.70mm	5.70mm	8.50mm	3.00mm
671376	Zinc Plated Steel		M8 x 1.25	30.00mm	19.00mm	9.70mm	5.70mm	8.50mm	3.00mm
671378	Zinc Plated Steel		M8 x 1.25	40.00mm	19.00mm	9.70mm	5.70mm	8.50mm	3.00mm
671380	Zinc Plated Steel		M8 x 1.25	60.00mm	19.00mm	9.70mm	5.70mm	8.50mm	3.00mm
671363	Stainless Steel		M8 x 1.25	20.00mm	19.00mm	9.70mm	5.80mm	8.50mm	3.00mm
671375	Stainless Steel		M8 x 1.25	25.00mm	19.00mm	9.70mm	5.80mm	8.50mm	3.00mm
671367	Stainless Steel		M8 x 1.25	30.00mm	19.00mm	9.70mm	5.80mm	8.50mm	3.00mm
671369	Stainless Steel		M8 x 1.25	40.00mm	19.00mm	9.70mm	5.80mm	8.50mm	3.00mm
671371	Stainless Steel		M8 x 1.25	60.00mm	19.00mm	9.70mm	5.80mm	8.50mm	3.00mm
671373	Stainless Steel		M8 x 1.25	20.00mm	19.00mm	9.70mm	5.70mm	8.50mm	3.00mm
671375	Stainless Steel		M8 x 1.25	25.00mm	19.00mm	9.70mm	5.70mm	8.50mm	3.00mm
671377	Stainless Steel		M8 x 1.25	30.00mm	19.00mm	9.70mm	5.70mm	8.50mm	3.00mm
671379	Stainless Steel	M8 x 1.25	40.00mm	19.00mm	9.70mm	5.70mm	8.50mm	3.00mm	
671381	Stainless Steel	M8 x 1.25	60.00mm	19.00mm	9.70mm	5.70mm	8.50mm	3.00mm	

Fastening Hardware

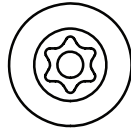
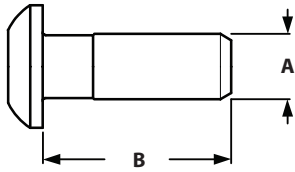
Hammer Head Screw Combination

Product Information

ITEM#	SERIES	FINISH	BOLT ITEM	THREAD	LENGTH	T-NUT ITEM	T-NUT TYPE	FINISH	WASHER
651703	45	Bright Zinc	671372	M8 x 1.25	20.00mm	671610	Flange Nut	Bright Zinc	--
651704		Bright Zinc	671374	M8 x 1.25	25.00mm	671610	Flange Nut	Bright Zinc	--
651766		Bright Zinc	651376	M8 x 1.25	30.00mm	671610	Flange Nut	Bright Zinc	--

Fastening Hardware

Self Tapping Screw

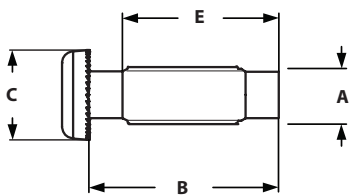


- No thread cutter necessary
- Special form of head of the screw and self tapping thread

Product Information

ITEM#	FINISH	SERIES	SOCKET	A	B
671114	Bright Zinc	30/45	T40	S8	25.00mm
671115	Bright Zinc	45	T50	S12	30.00mm

Self Tapping Screw



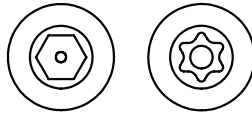
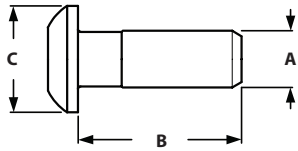
- No thread cutter necessary
- Special form of head of the screw and self tapping thread

Product Information

ITEM#	FINISH	SERIES	SOCKET	A	B	C	E	F
671646	Bright Zinc	45	Hex	S12	40.00mm	19.00mm	26.00mm	8.00mm

Fastening Hardware

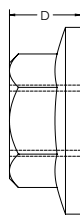
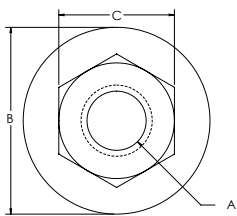
Connection Screw



Product Information

ITEM#	FINISH	SERIES	SOCKET	A	B	C
671112	Bright Zinc	45	Hex	M12	30.00mm	19.00
671113	Bright Zinc		T50	M12	30.00mm	19.00

Flanged Nut

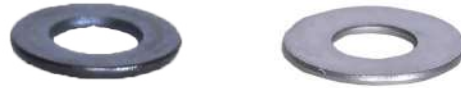
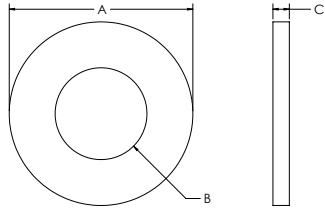


Product Information

ITEM#	FINISH	A	B	C	D
671682	Bright Zinc	M6 x 1.0	14.00mm	10.00mm	6.00mm
671610	Bright Zinc	M8 x 1.25	21.00mm	13.00mm	8.00mm

Fastening Hardware

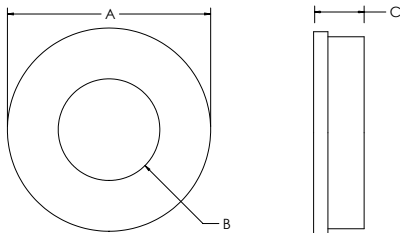
Washers



Product Information

ITEM#	FINISH	TYPE	A	B	C
651016	Black Zinc	10-32	.500"	.219"	.050"
651080	Black Zinc	1/4"	.625"	.291"	.060"
651559	Black Zinc	1/4"	.625"	.291"	.125"
651279	Stainless Steel	1/4"	.625"	.281"	.048"
651081	Black Zinc	5/16"	.688"	.354"	.069"
651280	Stainless Steel	5/16"	.745"	.344"	.048"
651082	Black Zinc	3/8"	.813"	.415"	.069"
651083	Black Zinc	1/2"	1.063"	.531"	.095"
651550	Bright Zinc	M5 x .8	10.00mm	5.20mm	1.00mm
651388	Bright Zinc	M6 x 1.0	11.80mm	6.50mm	1.60mm
651387	Black Zinc	M8 x 1.25	15.70mm	8.50mm	1.75mm
681813	Bright Zinc	M10 x 1.50	19.75mm	10.60mm	2.00mm

Washer with Rubber Seal

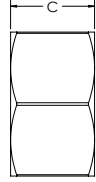
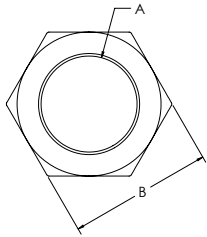


Product Information

ITEM#	FINISH	TYPE	A	B	C
683422	Stainless Steel	1/4"	.500"	.260"	.100"
683139	Stainless Steel	5/16"	.625"	.330"	.100"
683422	Stainless Steel	M6 x 1.0	12.70mm	6.60mm	2.50mm
683139	Stainless Steel	M8 x 1.25	15.88mm	8.38mm	2.50mm

Fastening Hardware

Hex Nuts



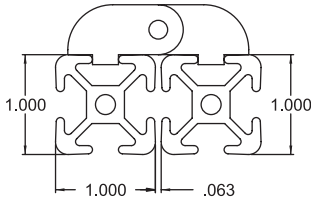
Product Information

ITEM#	FINISH	A	B	C
651014	Black Zinc	10-32	.375"	.125"
651077	Black Zinc	1/4-20	.438"	.215"
651277	Stainless Steel	1/4-20	.433"	.219"
651078	Black Zinc	5/16-18	.500"	.261"
651310	Bright Zinc	5/16-18	.500"	.328"
651278	Stainless Steel	5/16-18	.494"	.265"
651079	Black Zinc	3/8	.553"	.328"
651352	Black Zinc	M6	9.80mm	4.80mm
651353	Black Zinc	M8	12.80mm	6.30mm
680597	Bright Zinc	M12	18.80mm	9.80mm

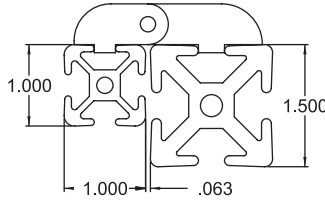
COMPONENTS SECTION

Lift-Off Hinges

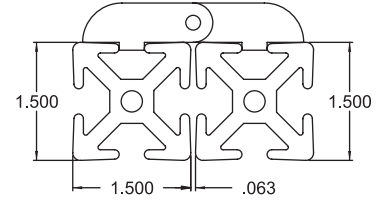
Lift-Off Hinge Gap Specs



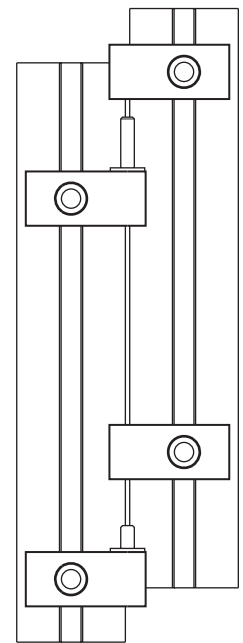
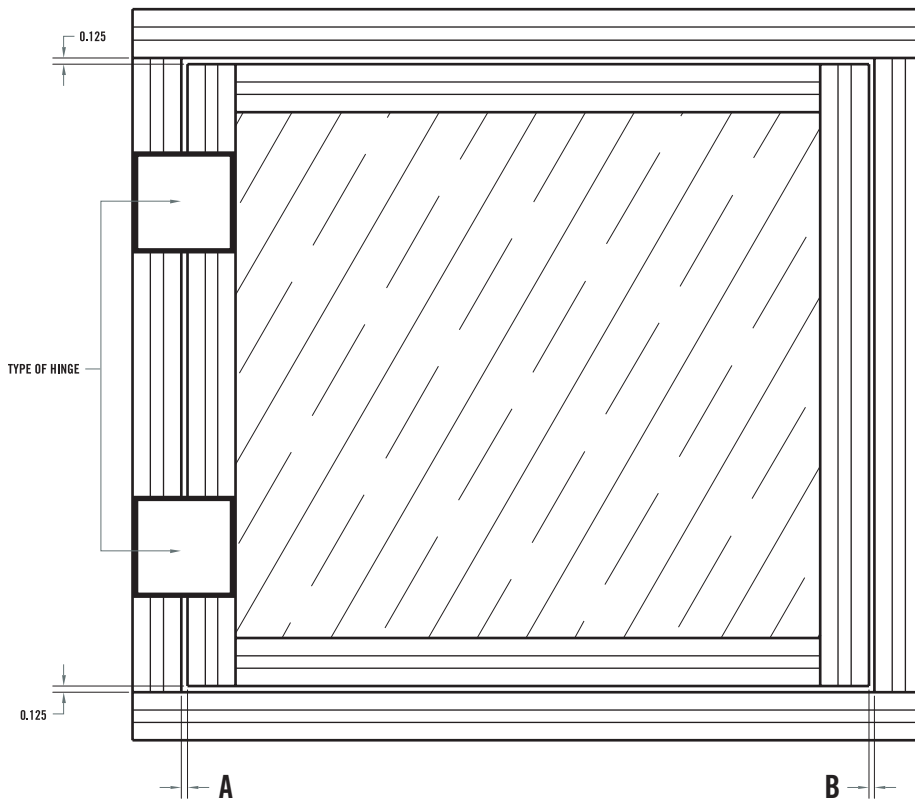
10 Series



10 to 15 Series



15 Series

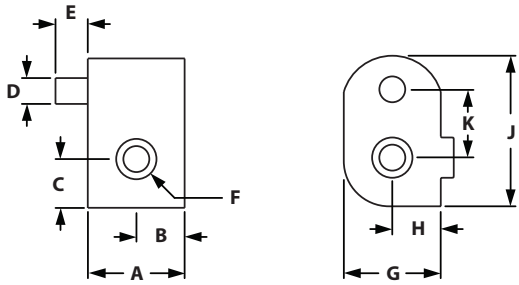


HINGE TYPE	DIMENSION A	DIMENSION B
15 S Lift Off Hinge Assembly	.063"	.187"
10 S Lift Off Hinge Assembly	.063"	.187"
10 S to 15 S Lift Off Hinge Assembly	.063"	.187"
15 S Aluminum Hinge (655082)	.125"	.125"
10 S Aluminum Hinge (655083)	.063"	.187"
10 S to 15 S Aluminum Hinge (655081)	.125"	.125"

* Note: For all doors, make the door .25" smaller in height and width than the door frame.

Lift-Off Hinges

Lift-Off Hinges - Left Hand



- Stronger Connection
- Longer lasting dowel pin

Product Information

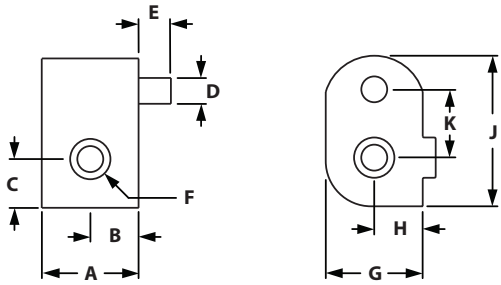
ITEM#	SERIES	PIN	A	B	C	D	E	F	G	H	J	K
655071	10	Long	.750"	.375	.377"	.250"	.750"	10-32	.500"	.250"	1.156"	.529"
655073		Short	.750"	.375	.377"	.250"	.360"	10-32	.500"	.250"	1.156"	.529"
655090	15	Long	.750"	.375	.625"	.250"	.750"	1/4-20	.500"	.250"	1.655"	.780"
655092		Short	.750"	.375	.625"	.250"	.360"	1/4-20	.500"	.250"	1.655"	.780"

Included Hardware

SERIES	ITEM #	BOLT	QTY	ITEM #	TNUT	QTY
10	651010	10-32 x 1/2" SHCS	1	651096	Offset Economy	1
15	651024	1/4-20 x 5/8" SHCS	1	651105	Offset Economy	1

Lift-Off Hinges

Lift-Off Hinges - Right Hand



- Stronger Connection
- Longer lasting dowel pin

Product Information

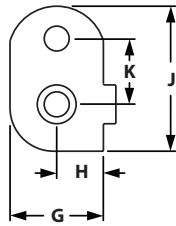
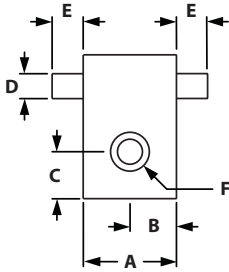
ITEM#	SERIES	PIN	A	B	C	D	E	F	G	H	J	K
655070	10	Long	.750"	.375	.377"	.250"	.750"	10-32	.500"	.250"	1.156"	.529"
655072		Short	.750"	.375	.377"	.250"	.360"	10-32	.500"	.250"	1.156"	.529"
655089	15	Long	.750"	.375	.625"	.250"	.750"	1/4-20	.500"	.250"	1.655"	.780"
655091		Short	.750"	.375	.625"	.250"	.360"	1/4-20	.500"	.250"	1.655"	.780"

Included Hardware

SERIES	ITEM #	BOLT	QTY	ITEM #	TNUT	QTY
10	651010	10-32 x 1/2" SHCS	1	651096	Offset Economy	1
15	651024	1/4-20 x 5/8" SHCS	1	651105	Offset Economy	1

Lift-Off Hinges

Lift-Off Hinges - Two Pin



- Stronger Connection
- Longer lasting dowel pin

Product Information

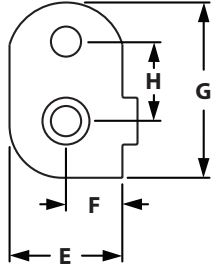
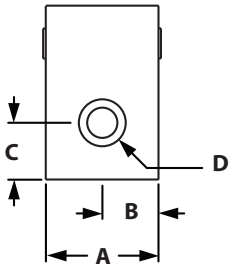
ITEM#	SERIES	PIN	A	B	C	D	E	F	G	H	J	K
655075	10	Short	.750"	.375	.377"	.250"	.360"	10-32	.500"	.250"	1.156"	.529"
655094	15	Short	.750"	.375	.625"	.250"	.360"	1/4-20	.500"	.250"	1.655"	.780"

Included Hardware

SERIES	ITEM #	BOLT	QTY	ITEM #	TNUT	QTY
10	651010	10-32 x 1/2" SHCS	1	651096	Offset Economy	1
15	651024	1/4-20 x 5/8" SHCS	1	651105	Offset Economy	1

Lift-Off Hinges

Hinge Bushings



- Bushing for lift off hinges to create assemblies
- Engineered Polymer bushing

Product Information

ITEM#	SERIES	PIN	A	B	C	D	E	F	G	H
655074	10	Long	.750"	.375	.377"	10-32	.500"	.250"	1.156"	.529"
655093	15	Long	.750"	.375	.625"	1/4-20	.500"	.250"	1.655"	.780"

Included Hardware

SERIES	ITEM #	BOLT	QTY	ITEM #	TNUT	QTY
10	651010	10-32 x 1/2" SHCS	1	651096	Offset Economy	1
15	651024	1/4-20 x 5/8" SHCS	1	651105	Offset Economy	1

Lift-Off Hinge Assemblies

Lift-Off Hinge Assemblies



- Lift off hinge assemblies come with 2 mating bushings and 1 left and right hinge in either short or long pin

Product Information

ITEM#	SERIES	STYLE	BUSHING	QTY	SHORT PIN	QTY	LONG PIN	QTY
655062	10	Right Hand	655074	2	655072	1	655070	1
655063		Left Hand	655074	2	655073	1	655071	1
655100	15	Right Hand	655093	2	655091	1	655089	1
655101		Left Hand	655093	2	655092	1	655090	1

Heavy Lift-Off Hinge Assemblies



- Heavy lift off hinges come with 1 mating bushings and 2 hinges.
- Hinges are on both sides of bushing so it can be used as a left or right hinge assembly

Product Information

ITEM#	SERIES	STYLE	BUSHING	QTY	LEFT PIN	QTY	RIGHT PIN	QTY
655064	10	Left & Right Hand	655074	1	655073	1	655072	1
655102	15	Left & Right Hand	655093	1	655092	1	655091	1

Lift-Off Hinge Assemblies

Transition Lift-Off Hinge Assembly



- Transitions from 10 series to 15 series extrusions

Product Information

ITEM#	SERIES	STYLE	BUSHING	QTY	SHORT PIN	QTY	LONG PIN	QTY
655097	10 to 15	Right Hand	655074	2	655091	1	655089	1
655098		Left Hand	655093	2	655092	1	655090	1

Transition Heavy Lift Off Hinge Assembly



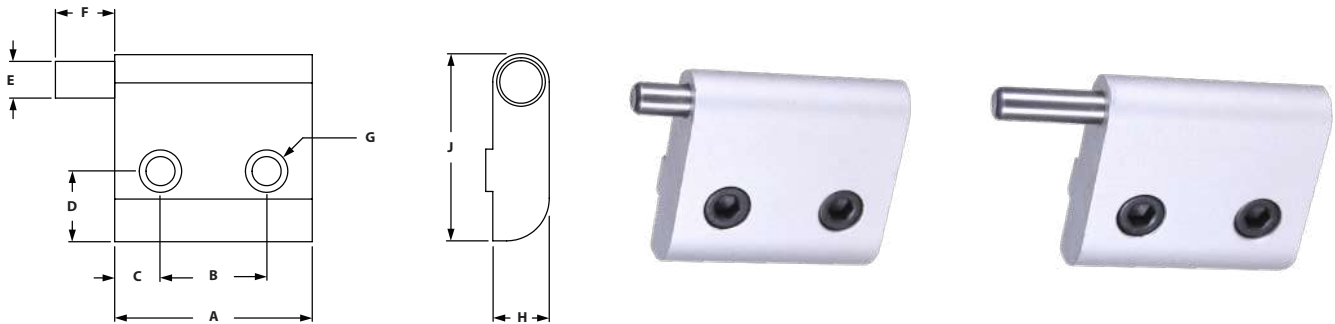
- Transitions from 10 series to 15 series extrusions
- Hinges are on both sides of bushing so it can be used as a left of right hinge assembly

Product Information

ITEM#	SERIES	STYLE	BUSHING	QTY	LEFT PIN	QTY	RIGHT PIN	QTY
655099	10 to 15	Left & Right Hand	655074	1	655092	1	655091	1

Heavy Duty Lift-Off Hinge

Heavy Duty Lift-Off Hinges - Left Hand



- Heavy duty lift-off hinges are stronger and more durable than the standard lift-off hinges
- Longer lasting dowel pin

Product Information

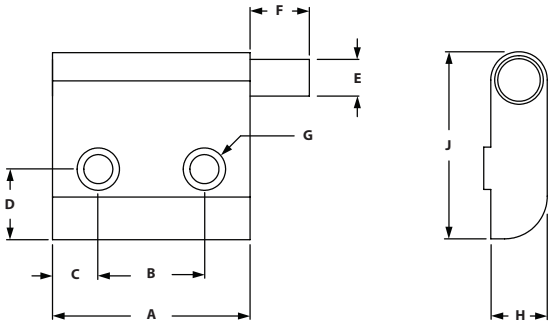
ITEM#	SERIES	PIN	A	B	C	D	E	F	G	H	J
699735	15	Short	1.750"	.940"	.405"	.625"	.250"	.360"	.257"	.500"	1.657"
699736		Long	1.750"	.940"	.405"	.625"	.250"	.750"	.257"	.500"	1.657"
699691	40	Short	44.45mm	23.88mm	10.29mm	15.88mm	6.35mm	9.14mm	6.53mm	12.70mm	43.05mm
699692		Long	44.45mm	23.88mm	10.29mm	15.88mm	6.35mm	19.05mm	6.53mm	12.70mm	43.05mm

Included Hardware

SERIES	ITEM #	BOLT	QTY	ITEM #	TNUT	QTY
15	651024	1/4-20 x 5/8" SHCS	2	651105	Offset Economy	2
40	651334	M6 x 16mm SHCS	2	651366	Offset Economy	2

Heavy Duty Lift-Off Hinge

Heavy Duty Lift-Off Hinges - Left Hand



- Heavy duty lift-off hinges are stronger and more durable than the standard lift-off hinges
- Longer lasting dowel pin

Product Information

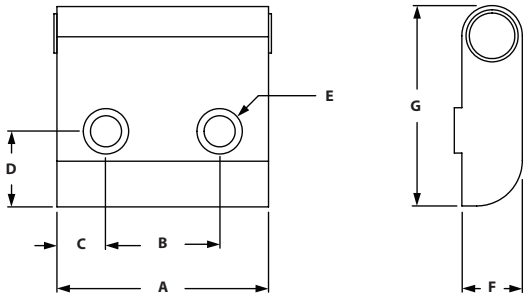
ITEM#	SERIES	PIN	A	B	C	D	E	F	G	H	J
699735	15	Short	1.750"	.940"	.405"	.625"	.250"	.360"	.257"	.500"	1.657"
699736		Long	1.750"	.940"	.405"	.625"	.250"	.750"	.257"	.500"	1.657"
699691	40	Short	44.45mm	23.88mm	10.29mm	15.88mm	6.35mm	9.14mm	6.53mm	12.70mm	43.05mm
699692		Long	44.45mm	23.88mm	10.29mm	15.88mm	6.35mm	19.05mm	6.53mm	12.70mm	43.05mm

Included Hardware

SERIES	ITEM #	BOLT	QTY	ITEM #	TNUT	QTY
15	651024	1/4-20 x 5/8" SHCS	2	651105	Offset Economy	2
40	651334	M6 x 16mm SHCS	2	651366	Offset Economy	2

Heavy Duty Lift-Off Hinge

Heavy Duty Hinge Bushing



- Bushing for lift off hinges to create assemblies
- Engineered Polymer bushing

Product Information

ITEM#	SERIES	A	B	C	D	E	F	G
699739	15	1.750"	.940"	.405"	.625"	.257"	.500"	1.657"
699693	40	44.45mm	23.88mm	10.29mm	15.88mm	6.53mm	12.70mm	43.05mm

Included Hardware

SERIES	ITEM #	BOLT	QTY	ITEM #	TNUT	QTY
15	651024	1/4-20 x 5/8" SHCS	2	651105	Offset Economy	2
40	651334	M6 x 16mm SHCS	2	651366	Offset Economy	2

Heavy Duty Lift-Off Hinge

Heavy Duty Lift-Off Hinges Assemblies



- Heavy duty lift-off hinge assembly comes with 1 bushing and 1 left or right hinge
- Longer lasting dowel pin

Product Information

ITEM#	SERIES	STYLE	PIN	BUSHING	QTY	HINGE	QTY
699730	15	Left Hand	Short	699739	1	699735	1
699731		Right Hand	Short	699739	1	699737	1
699732		Left Hand	Long	699739	1	699736	1
699733		Right Hand	Long	699739	1	699738	1
699694	40	Left Hand	Short	699693	1	699691	1
699695		Right Hand	Short	699693	1	699689	1
699696		Left Hand	Long	699693	1	699692	1
699697		Right Hand	Long	699693	1	699690	1

Heavy Duty Lift-Off Hinge

Heavy Duty Lift-Off Pair Hinge Assemblies



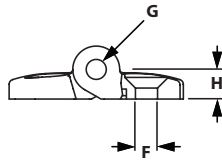
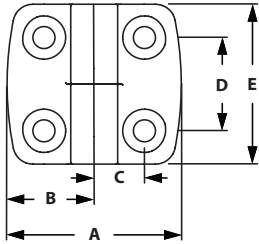
- Heavy duty lift-off hinge assembly comes with 2 bushing and 1 left or right hinge
- Longer lasting dowel pin

Product Information

ITEM#	SERIES	STYLE	BUSHING	QTY	SHORT PIN	QTY	LONG PIN	QTY
655062	15	Left Hand	699739	2	699735	1	699739	1
655063		Right Hand	699739	2	699737	1	699738	1
655100	40	Left Hand	699693	2	699691	1	699692	1
655101		Right Hand	699693	2	699689	1	699690	1

Hinges

Plastic Lift-Off Hinges



- Black Fiberglass reinforced nylon

Product Information

ITEM#	SERIES	MATERIAL	STYLE	A	B	C	D	E	F	G	H
655770	10	Plastic	Left Hand	2.046"	1.023"	.590"	1.102"	1.890"	.260"	.551"	.354"
655771			Right Hand	2.046"	1.023"	.590"	1.102"	1.890"	.260"	.551"	.354"
655773	15		Left Hand	2.794"	1.397"	.787"	1.102"	1.890"	.260"	.551"	.354"
655774			Right Hand	2.794"	1.397"	.787"	1.102"	1.890"	.260"	.551"	.354"
671248	30		Left Hand	59.00mm	29.50mm	17.50mm	28.00mm	48.00mm	6.60mm	14.00mm	9.00mm
671249			Right Hand	59.00mm	29.50mm	17.50mm	28.00mm	48.00mm	6.60mm	14.00mm	9.00mm
671275	45		Left Hand	87.00mm	43.50mm	25.00mm	28.00mm	48.00mm	6.60mm	14.00mm	9.00mm
671276			Right Hand	87.00mm	43.50mm	25.00mm	28.00mm	48.00mm	6.60mm	14.00mm	9.00mm
655775	40		Left Hand	77.00mm	38.50mm	22.50mm	28.00mm	48.00mm	6.60mm	14.00mm	9.00mm
655776			Right Hand	77.00mm	38.50mm	22.50mm	28.00mm	48.00mm	6.60mm	14.00mm	9.00mm

Recommended Fasteners (Mount to Slot)

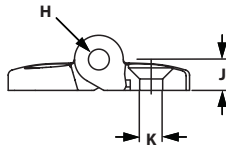
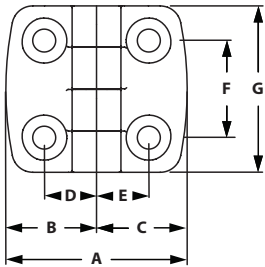
ITEM #	SERIES	BOLT	TNUT	QTY
651185	10	1/4-20 x 1/2" FHSCS	Economy	4
651545	15	1/4-20 x 5/8" FHSCS	Economy	4
651789	30	M6 x 12mm FHSCS	Hammer Nut	4
651790	45	M6 x 12mm FHSCS	Hammer Nut	4
651773	40	M6 x 12mm FHSCS	Economy	4

Recommended Fasteners (Mount to Panel)

ITEM #	SERIES	BOLT	HEX NUT	WASHER	QTY
651724	10/15	1/4-20 x 3/4" FHSCS	Yes	Yes	4
651741	30/45	M6 x 20mm FHSCS	Yes	Yes	4
651741	40	M6 x 20mm FHSCS	Yes	Yes	4

Hinges

Plastic Hinges



- Black Fiberglass reinforced nylon

Product Information

ITEM#	SERIES	MATERIAL	A	B	C	D	E	F	G	H	J	K
655679	10	Plastic	2.046"	1.023"	1.023"	.590"	.590"	1.102"	1.890"	.236"	.354"	.260"
655680	15		2.794"	1.397"	1.397"	.787"	.787"	1.102"	1.890"	.236"	.354"	.260"
655772	10 to 15		2.420"	1.023"	1.397"	.590"	.787"	1.102"	1.890"	.236"	.354"	.260"
671247	30		59.00mm	29.50mm	29.50mm	17.50mm	17.50mm	28.00mm	48.00mm	14.00mm	9.00mm	6.60mm
671274	45		87.00mm	43.50mm	43.50mm	25.00mm	25.00mm	28.00mm	48.00mm	14.00mm	9.00mm	6.60mm
671289			115.00mm	57.50mm	57.50mm	32.50mm	32.50mm	28.00mm	48.00mm	14.00mm	9.00mm	6.60mm
655680	40		71.00mm	35.50mm	35.50mm	20.00mm	20.00mm	28.00mm	48.00mm	6.00mm	9.00mm	6.60mm

* 655772 Transition hinge uses 2 qty of 10 and 15 series fasteners

* 671289 Hinge is used for 60mm profiles

Recommended Fasteners (Mount to Slot)

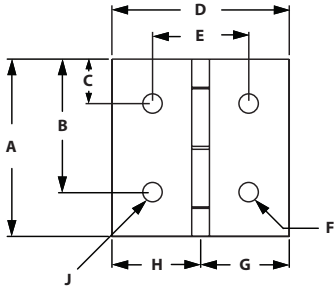
ITEM #	SERIES	BOLT	TNUT	QTY
651874	10	1/4-20 x 5/8" FHSCS	Economy	4
651545	15	1/4-20 x 5/8" FHSCS	Economy	4
651739	30	M6 x 14mm FHSCS	Hammer Nut	4
651740	45	M6 x 18mm FHSCS	Hammer Nut	4
651773	40	M6 x 12mm FHSCS	Economy	4

Recommended Fasteners (Mount to Panel)

ITEM #	SERIES	BOLT	HEX NUT	WASHER	QTY
651724	10/15	1/4-20 x 3/4" FHSCS	Yes	Yes	4
651741	30/45	M6 x 20mm FHSCS	Yes	Yes	4
651741	40	M6 x 20mm FHSCS	Yes	Yes	4

Hinges

Aluminum Hinges



- Low profile
- Clear anodize finish

Product Information

ITEM#	SERIES	MATERIAL	CAPACITY	A	B	C	D	E	F	G	H	J
655083	10	Aluminum	40lbs	2.000"	1.500"	.500"	2.000"	1.062"	.257"	1.000"	1.000"	.257"
655082	15 40		75lbs	3.000" 76.20mm	2.250" 57.15mm	.750" 19.05mm	3.000" 76.20mm	1.625" 41.30mm	.328" 8.33mm	1.500" 38.10mm	1.500" 38.10mm	.328" 41.30mm
655081	10 to 15		75lbs	3.000"	2.250"	.750"	2.500"	1.375"	.257"	1.000"	1.500"	.328"

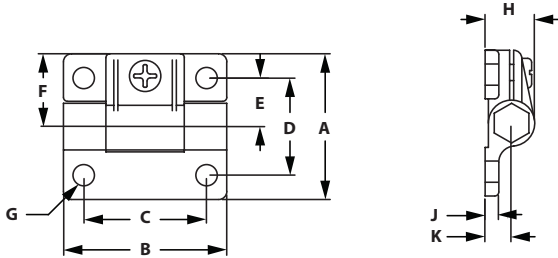
* 655081 Transition hinge uses 2 qty of 10 and 15 series fasteners

Recommended Fasteners (Mount to Slot)

ITEM #	SERIES	BOLT	TNUT	QTY
651166	10	1/4-20 x 3/8" FBHSCS	Economy	4
651128	15	5/16-18 x 1/2" FBHSCS	Economy	4
651767	40	M8 x 12mm FBHSCS	Economy	4

Hinges

Plastic Adjustable Hinges



- Mount panels and doors directly to TSLOTS
- Adjustable hinge allows you to increase or decrease pivot tension
- Hinge is not suitable for hinging two extrusions together

Product Information

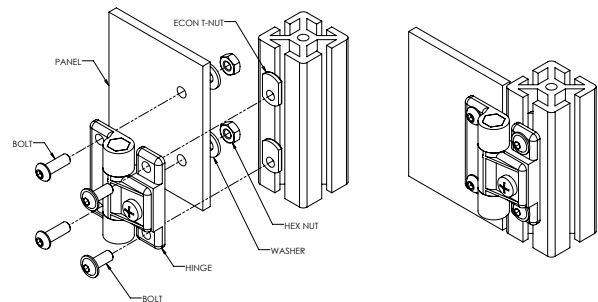
ITEM#	SERIES	MATERIAL	A	B	C	D	E	F	G	H	J	K
655078	10	Plastic	1.440"	1.690"	1.250"	1.000"	.500"	.720"	.197"	.500"	.230"	.270"
655077	15 40		2.250" 57.15mm	2.500" 63.50mm	1.880" 47.75mm	1.500" 38.10mm	.750" 19.00mm	1.125" 28.58mm	.270" 6.86mm	.770" 19.56mm	.200" 5.08mm	.410" 10.40mm

Recommended Fasteners (Mount to Slot)

ITEM #	SERIES	BOLT	TNUT	QTY
651721	10	8-32 x 3/8" SHCS	Economy	2
651722	15	1/4-20 x 5/8" BHSCS	Economy	2
651771	40	M6 x 16mm BHSCS	Economy	2

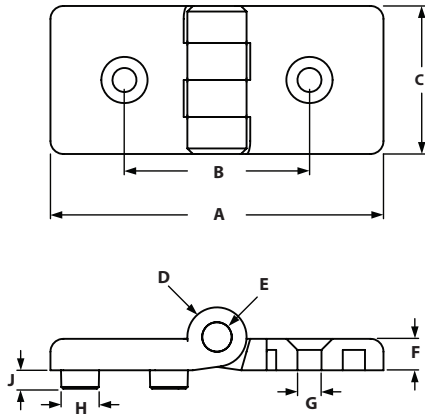
Recommended Fasteners (Mount to Panel)

ITEM #	SERIES	BOLT	HEX NUT	WASHER	QTY
651723	10	8-32 x 5/8" SHCS	Yes	Yes	2
651216	15	1/4-20 x 3/4" BHSCS	Yes	Yes	2
651772	40	M6 x 20mm BHSCS	Yes	Yes	2



Hinges

Heavy Duty Plastic Hinge



- Each plate has two holes to fit locating pins

Product Information

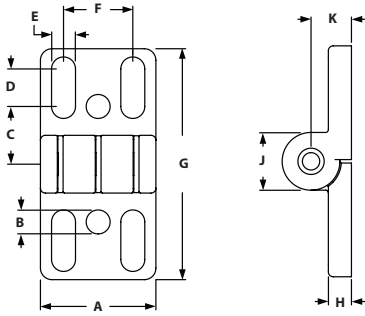
ITEM#	SERIES	MATERIAL	A	B	C	D	E	F	G	H	J
671050	45	Plastic	90.00mm	50.00mm	40.00mm	16.00mm	8.00mm	9.00mm	6.50mm	10.00mm	5.00mm

Recommended Fasteners (Mount to Slot)

ITEM #	SERIES	BOLT	TNUT	QTY
651742	45	M6 x 20mm FHSCS	Hammer Nut	2

Hinges

Universal Door Hinge W/Oblong Holes



- Oblong holes allow for adjustment of the gap of door or panel
- Die-cast black powder coated
- .575" gap when using 10s profiles

Product Information

ITEM#	SERIES	MATERIAL	A	B	C	D	E	F	G	H	J	K
655768	10/15 40	Die-Cast	1.575" 40.00mm	.327" 8.30mm	.787" 20.00mm	.512" 13.00mm	.327" 8.30mm	.950" 24.00mm	3.150" 80.00mm	.315" 8.00mm	.787" 20.00mm	.552" 14.00mm

Recommended Fasteners (Mount to Slot)

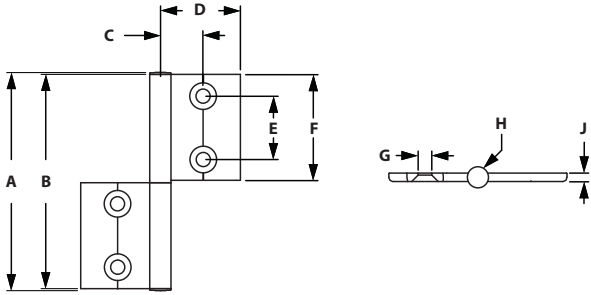
ITEM #	SERIES	BOLT	TNUT	WASHER	QTY
651240	10	1/4-20 x 5/8" BHSCS	Economy	Yes	4
651213	15	5/16-18 x 3/4" SHCS	Economy	Yes	4
651769	40	M8 x 18mm SHCS	Economy	No	4

Recommended Fasteners (Mount to Panel)

ITEM #	SERIES	BOLT	HEX NUT	WASHER	QTY
651720	15	5/16-18 x 7/8" BHSCS	Yes	Yes	4
651770	40	M8 x 20mm FHSCS	Yes	Yes	4

Hinges

Concealed Aluminum Hinge



Product Information

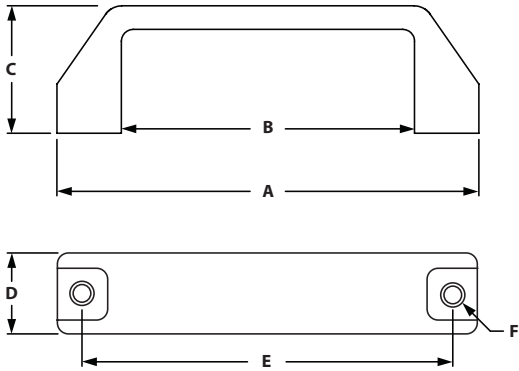
ITEM#	SERIES	MATERIAL	A	B	C	D	E	F	G	H	J
682865	40	Aluminum	103.00mm	101.00mm	25.00mm	42.00mm	30.00mm	50.00mm	6.40mm	10.00mm	4.00mm

Recommended Fasteners (Mount to Slot)

ITEM #	SERIES	BOLT	TNUT	QTY
651768	40	M6 x 14mm FHSCS	Economy	4

Handles

Plastic Door Handle



- Mounts directly to extrusion or panel

Product Information

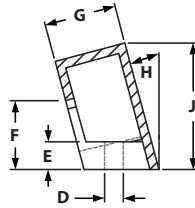
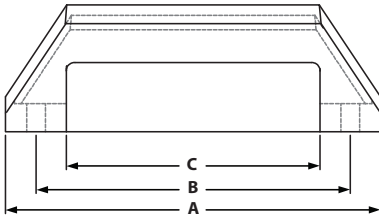
ITEM#	SERIES	MATERIAL	SIZE	A	B	C	D	E	F
655060	10	Black Nylon	Small	4.409"	2.953"	1.419"	.827"	3.681"	.256"
655059	15 40		Medium	5.472" 139.00mm	3.780" 96.00mm	1.615" 41.02mm	1.024" 26.00mm	4.606" 117.00mm	.335" 8.51mm
655058			Large	8.031" 204.00mm	6.181" 157.00mm	1.969" 50.01mm	1.102" 28.00mm	7.047" 179.00mm	.335" 8.51mm
671015	30/45	Medium	142.00mm	102.00mm	40.00mm	26.00mm	122mm	6.20mm	
671016		Large	170.00mm	130.00mm	52.00mm	28.00mm	152.00mm	6.20mm	

Recommended Fasteners (Mount to Slot)

ITEM #	SERIES	SIZE	BOLT	TNUT	QTY
651234	10	Small	1/4-20 x 1/2" SHSCS	Economy	2
651201	15	Medium	5/16-18 x 5/8" SHCS	Economy	2
651202		Large	5/16-18 x 3/4" SHCS	Economy	2
651744	30	Medium	M6 x 14mm SHCS	Hammer Nut	2
651745	45	Medium	M6 x 16mm SHCS	Hammer Nut	2
651746		Large	M6 x 18mm SHCS	Hammer Nut	2
651769	40	Medium Large	M8 x 18mm SHCS	Economy	2

Handles

Offset Plastic Handle



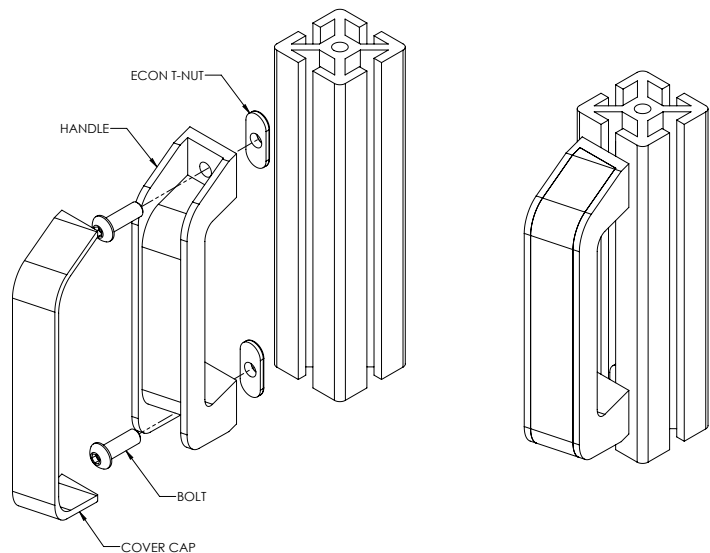
- Mounts directly to extrusion or panel
- Matte glass filled nylon plastic with orange cover strip
- Fasteners included

Product Information

ITEM#	SERIES	MATERIAL	A	B	C	D	E	F	G	H	J
655076	10/15	Black Nylon	5.120"	4.290"	3.460"	.260"	.380"	.940"	.980"	15°	1.730"

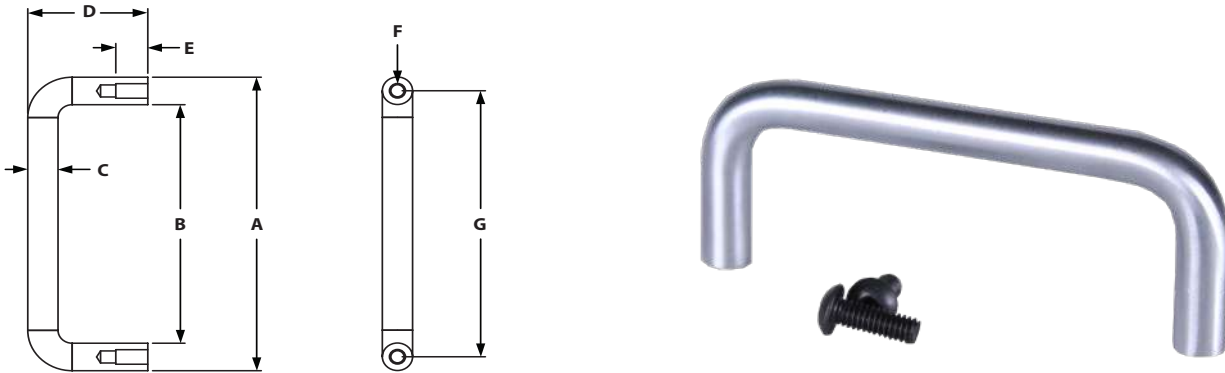
Included Fasteners (Mount to Slot)

ITEM #	DESCRIPTION	QTY
651023	1/4-20 x 5/8" BHSCS	2
651025	1/4-20 x 3/4" BHSCS	2
651163	1/4-20 Economy T-nut	2



Handles

Steel Door Handle



- Mounts directly to panel
- Machining required

Product Information

ITEM#	SERIES	MATERIAL	A	B	C	D	E	F	G
655068	10/15 40	Steel	3.310" 84.10mm	2.690" 68.30mm	.310" 7.90mm	1.230" 31.20mm	.313" 7.95mm	8-32 Tap	3.000" 83.80mm

Included Fasteners (Mount to 1/4" Panel)

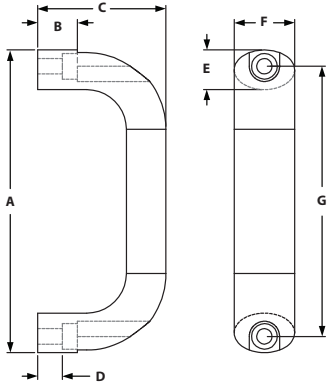
ITEM #	DESCRIPTION	QTY
651006	8-32 x 1/2" BHSCS	2

Required Machining Service

ITEM #	DESCRIPTION	QTY
651006	8-32 x 1/2" BHSCS	2

Handles

Aluminum Door Handle



- Corrosion resistant
- 15 Series only
- Mounts directly to extrusion and panel

Product Information

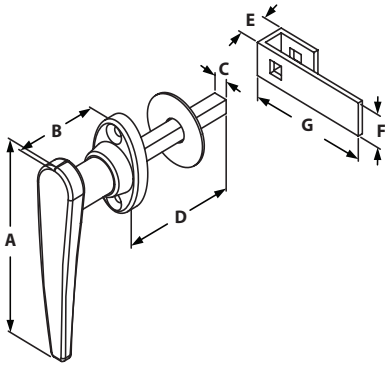
ITEM#	SERIES	MATERIAL	A	B	C	D	E	F	G
655562	15 40	Aluminum	5.120" 130.00mm	.670" 17.00mm	2.170" 55.10mm	.425" 10.80mm	.670" 17.00mm	1.020" 25.90mm	4.570" 116.00mm

Recommended Fasteners (Mount to Slot)

ITEM #	SERIES	BOLT	TNUT	QTY
651117	15	1/4-20 x 3/4" SHCS	Economy	2
651775	40	M6 x 20mm SHCS	Economy	2

Handles

Deluxe Door Handle



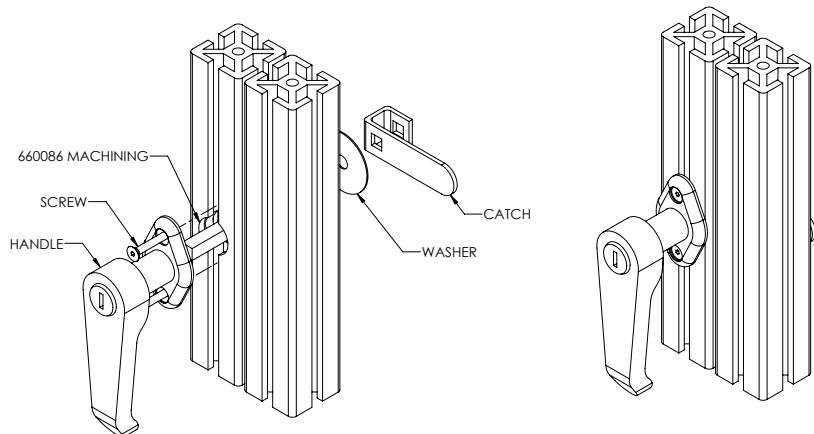
- Corrosion resistant chrome finish
- Ideal for cabinets and guarding

Product Information

ITEM#	SERIES	MATERIAL	FINISH	TYPE	A	B	C	D	E	F	G
655053	15 40	Steel	Chrome	Non-Locking	4.375" 111.10mm	2.000" 50.80mm	.312" 7.90mm	2.593" 65.86mm	.750" 19.00mm	.750" 19.00mm	2.750" 69.90mm
655061				Locking	4.375" 111.10mm	2.000" 50.80mm	.312" 7.90mm	2.593" 65.86mm	.750" 19.00mm	.750" 19.00mm	2.750" 69.90mm

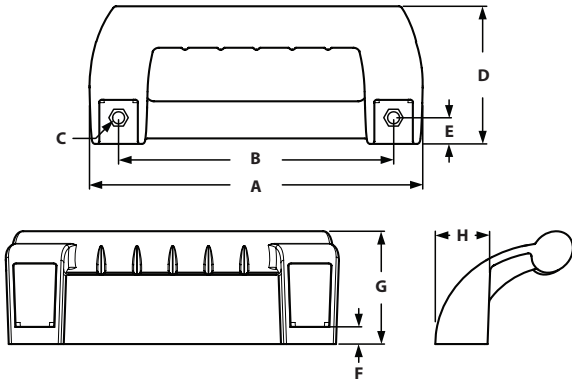
Required Machining Service

ITEM#	SERIES	SERVICE DESCRIPTION	PAGE
660086	15 / 40	Deluxe Door Handle Milling Service	553



Handles

Machine Handle



- Ergonomic design with finger protection
- Mounts directly to extrusion and panel
- Cover caps included

Product Information

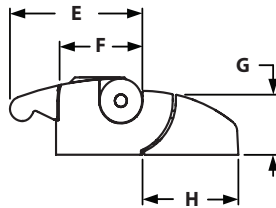
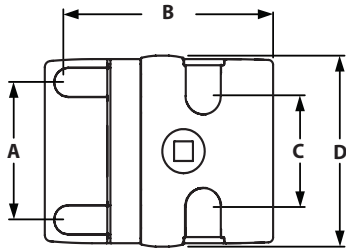
ITEM#	SERIES	MATERIAL	A	B	C	D	E	F	G	H
671017	45	Plastic PA	240.00mm	200.00mm	8.80mm	100.00mm	19.00mm	12.50mm	80.00mm	38.00mm

Recommended Fasteners (Mount to Slot)

ITEM #	SERIES	BOLT	TNUT	QTY
651743	45	M8 x 16mm SHCS	Hammer Nut	2

Latches

Slam Latch



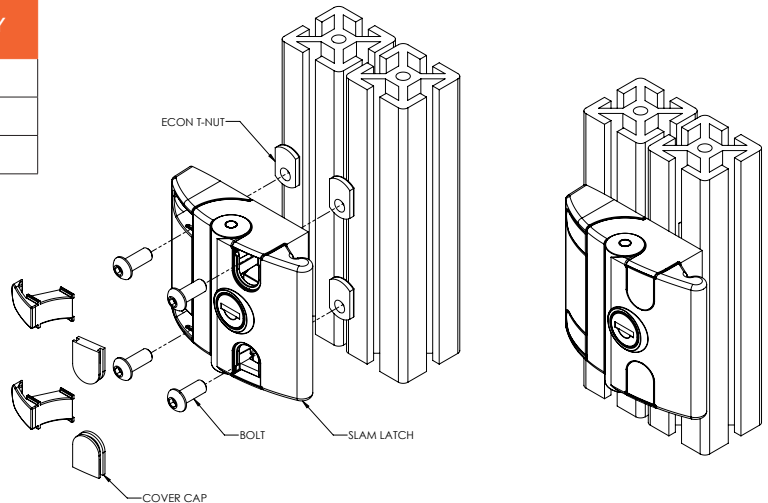
- Ideal for cabinets and guarding

Product Information

ITEM#	SERIES	TYPE	MATERIAL	A	B	C	D	E	F	G	H
671072	15	Universal Key	Die-Cast Zinc	2.205"	2.716"	1.772"	3.070"	2.205"	1.437"	.965"	1.575"
				56.00mm	69.00mm	45.00mm	78.00mm	56.00mm	36.50mm	24.50mm	40.00mm
671073	45	Unique Key		2.205"	2.716"	1.772"	3.070"	2.205"	1.437"	.965"	1.575"
				56.00mm	69.00mm	45.00mm	78.00mm	56.00mm	36.50mm	24.50mm	40.00mm
671074	40	No Key		2.205"	2.716"	1.772"	3.070"	2.205"	1.437"	.965"	1.575"
				56.00mm	69.00mm	45.00mm	78.00mm	56.00mm	36.50mm	24.50mm	40.00mm

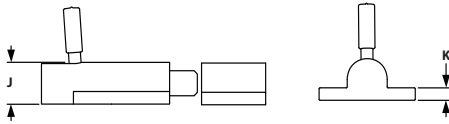
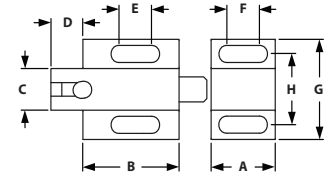
Recommended Fasteners (Mount to Slot)

ITEM #	SERIES	BOLT	TNUT	QTY
651725	15	1/4-20 x 5/8" SHCS	Economy	4
651791	45	M6 x 14mm SHCS	Hammer Nut	4
651774	40	M6 x 16mm SHCS	Economy	4



Latches

0° Deadbolt W/ Top Latch



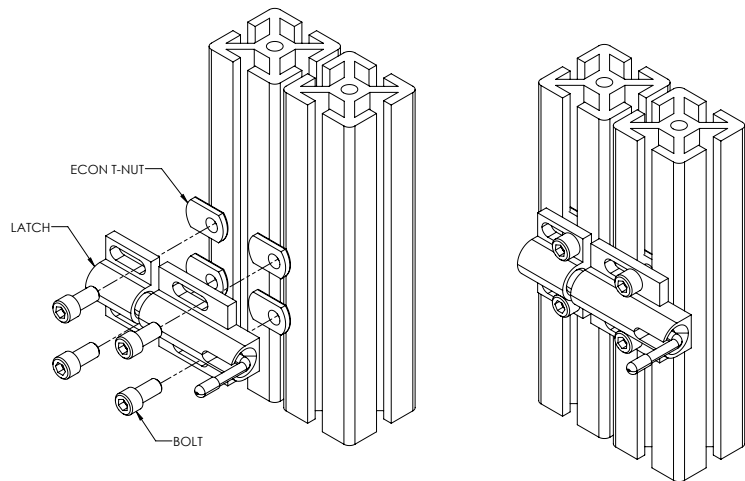
- Positive, spring loaded deadbolt
- Ideal for enclosure doors

Product Information

ITEM#	SERIES	MATERIAL	A	B	C	D	E	F	G	H	J	K
655051	10/15 40	Die-Cast Zinc	1.000" 25.40mm	1.500" 38.10mm	.625" 15.90mm	.500" 12.70mm	.507" 12.90mm	.500" 12.70mm	1.500" 38.10mm	1.062" 27.00mm	.625" 15.90mm	.187" 4.75mm

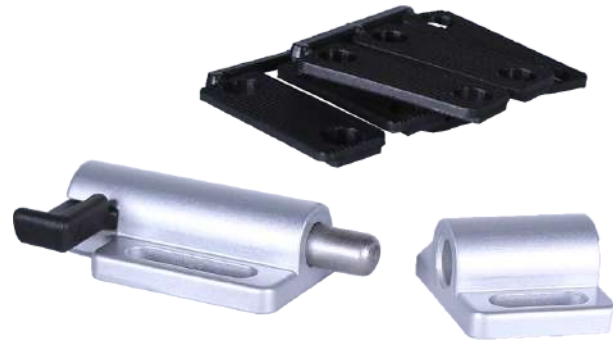
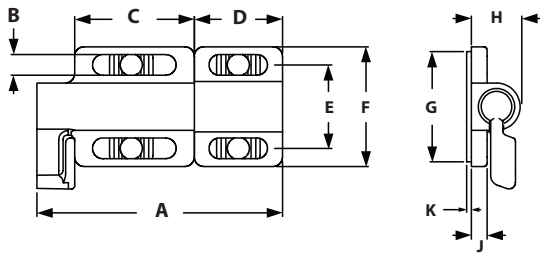
Included Fasteners (Mount to Slot)

ITEM #	BOLT	TNUT	QTY
651234	1/4-20 x 1/2" SHCS	Economy	4



Latches

90° Deadbolt Latch



- Positive, spring loaded deadbolt
- Ideal for enclosure doors
- Includes separate slot fixation strips

Product Information

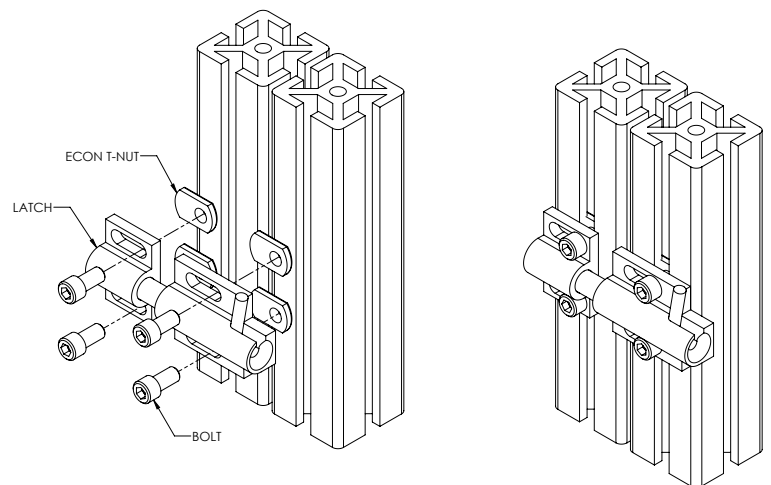
ITEM#	SERIES	MATERIAL	A	B	C	D	E	F	G	H	J	K
655103	10/15 40	Die-Cast Zinc	3.071" 78.00mm	.260" 6.60mm	1.496" 38.00mm	1.102" 30.00mm	1.043" 26.50mm	1.496" 38.00mm	1.378" 35.00mm	.630" 16.00mm	.197" 5.00mm	.059" 1.50mm
671033	30/45	Die-Cast Zinc	78.00mm	6.60mm	38.00mm	28.00mm	26.50mm	38.00mm	35.00mm	16.00mm	5.00mm	1.50mm

Included Fasteners (Mount to Slot)

ITEM #	BOLT	TNUT	QTY
651234	1/4-20 x 1/2" SHCS	Economy	4

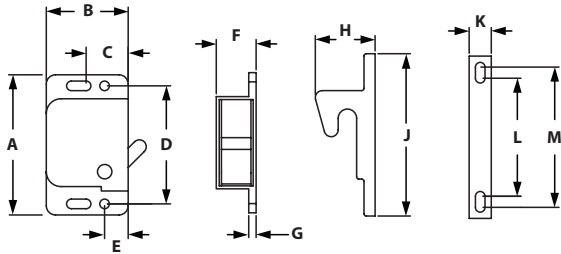
Recommended Fasteners (Mount to Slot)

ITEM #	SERIES	BOLT	TNUT	QTY
651706	30	M6 x 12mm BHSCS	Hammer Nut	4
651753	45	M6 x 16mm BSHCS	Hammer Nut	4



Catches

Grabber™ Door Catch



- Mounts inside of enclosure
- Spring loaded over center action
- 3 pull-up force options
- Corrosion resistant black ABS

Product Information

ITEM#	SERIES	PULL FORCE	MATERIAL	A	B	C	D	E	F	G	H
655067	10/15 40	3 lbs.	Black ABS	1.900" 48.30mm	1.110" 28.20mm	.570" 14.50mm	1.600" 40.64mm	.320" 8.10mm	.540" 13.70mm	.100" 2.50mm	.810" 20.58mm
655085		5 lbs.		1.900" 48.30mm	1.110" 28.20mm	.570" 14.50mm	1.600" 40.64mm	.320" 8.10mm	.540" 13.70mm	.100" 2.50mm	.810" 20.58mm
655118		10 lbs.		1.900" 48.30mm	1.110" 28.20mm	.570" 14.50mm	1.600" 40.64mm	.320" 8.10mm	.540" 13.70mm	.100" 2.50mm	.810" 20.58mm

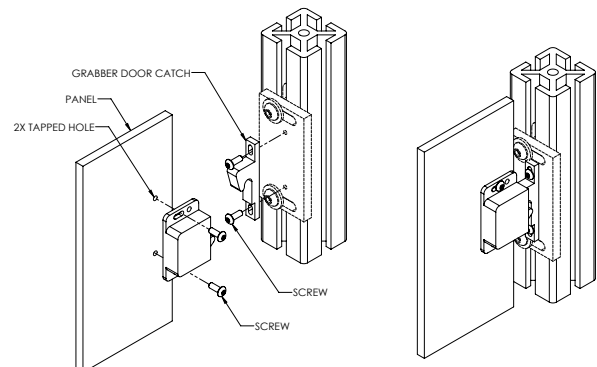
ITEM#	SERIES	J	K	L	M
655067	10/15 40	2.200" 55.90mm	.300" 7.60mm	1.600" 40.64mm	1.900" 48.30mm
655085		2.200" 55.90mm	.300" 7.60mm	1.600" 40.64mm	1.900" 48.30mm
655118		2.200" 55.90mm	.300" 7.60mm	1.600" 40.64mm	1.900" 48.30mm

Recommended Fasteners (Mount to Slot)

ITEM #	SERIES	BOLT	TNUT	QTY
651743	45	M8 x 16mm SHCS	Hammer Nut	2

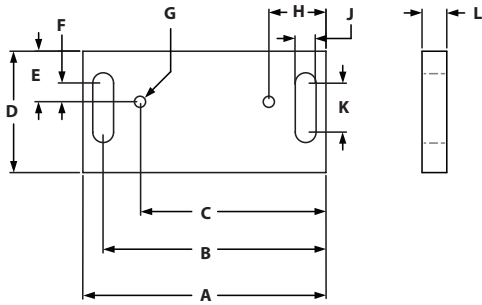
Included Fasteners (Mount to Slot)

ITEM #	BOLT	TNUT	QTY
651020	6-32 x 3/8" BHSCS	--	4



Catches

Grabber™ Door Catch Mounting Plate

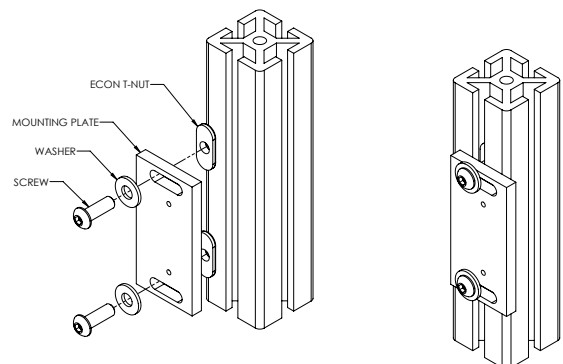


Product Information

ITEM#	SERIES	MATERIAL	A	B	C	D	E	F	G	H	J	K
655117	10/15 40	Anodized Aluminum	3.000" 76.20mm	2.750" 69.90mm	2.295" 58.30mm	1.500" 38.10mm	.625" 15.90mm	.395" 10.00mm	6-32 Tap	.705" 17.90mm	.257" 6.50mm	.605" 15.40mm

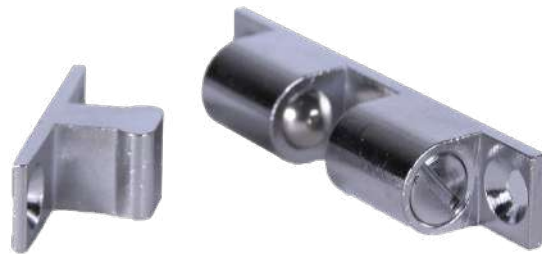
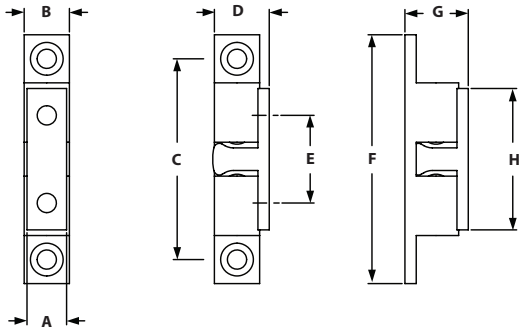
Recommended Fasteners (Mount to Slot)

ITEM #	SERIES	BOLT	TNUT	WASHER	QTY
651224	10	1/4-20 x 1/2" BHSCS	Drop-In	No	2
651130	15	1/4-20 x 1/2" BHSCS	Economy	No	2
651726		1/4-20 x 3/4" BHSCS	Drop-In	Yes	2
651727		1/4-20 x 3/4" BHSCS	Economy	Yes	2
651793	40	M6 x 18mm BHSCS	Economy	No	2



Catches

Double Ball Catch

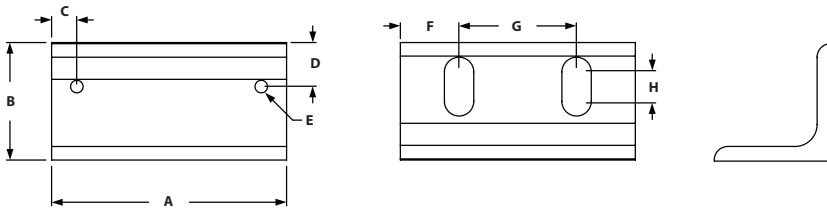


- Adjustable clamping force
- Clamps in sideways or front positions

Product Information

ITEM#	SERIES	MATERIAL	A	B	C	D	E	F	G	H
657169	10/15 40	Brass Chrome Plated	.472" 12.00mm	.512" 13.00mm	2.283" 58.00mm	.598" 15.20mm	1.181" 30.00mm	2.693" 68.40mm	.713" 18.10mm	1.583" 40.20mm

Magnetic Door Catch Bracket



Product Information

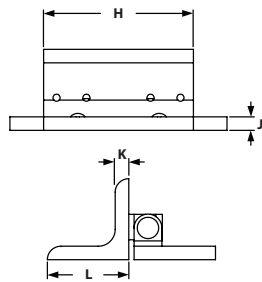
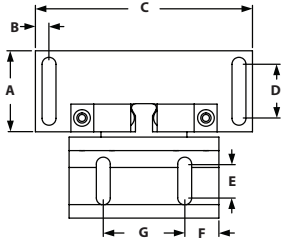
ITEM#	SERIES	MATERIAL	A	B	C	D	E	F	G	H
655471	10/15 40	Anodized Aluminum	2.000" 50.80mm	1.000" 25.40mm	.220" 5.59mm	.380" 9.65mm	6-32 Tap	.500" 12.70mm	1.000" 25.40mm	.250" 6.35mm

Included Fasteners (Mount to Slot)

ITEM #	DESCRIPTION	QTY
651021	1/4-20 x 1/2" BHSCS	2
651163	1/4-20 Economy T-nut	2
651080	1/4" Washer	2

Catches

Double Ball Catch Assembly



Product Information

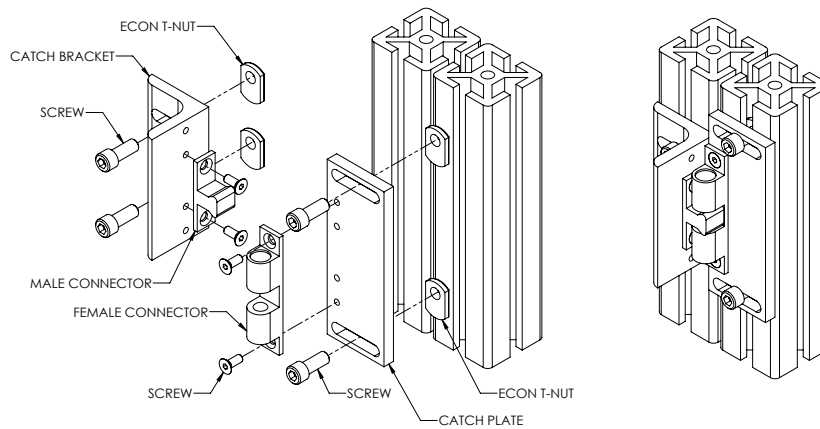
ITEM#	SERIES	A	B	C	D	E	F	G	H	J	K	L
699769	10/15 40	1.500" 38.10mm	.250" 6.40mm	4.000" 101.60mm	1.000" 25.40mm	.625" 15.90mm	.630" 16.00mm	1.500" 38.10mm	2.760" 70.10mm	.250" 6.35mm	.250" 6.35mm	1.500" 38.10mm

Included Hardware (Mount to Slot)

ITEM #	DESCRIPTION	QTY
657169	Double Ball Catch	1
699766	Ball Catch Bracket	1
699768	Ball Catch Plate	1

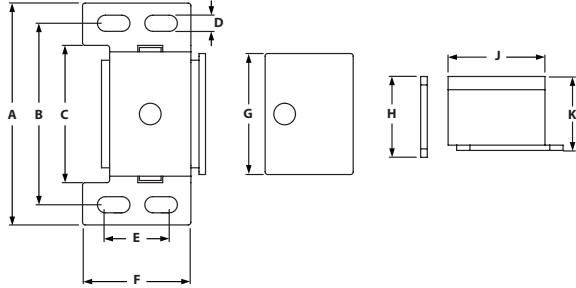
Included Fasteners (Mount to Slot)

ITEM #	DESCRIPTION	QTY
651024	1/4-20 x 5/8" SHCS	4
651105	1/4-20 Economy T-nut	4
651680	M4 x .8 FHSCS	4



Catches

Magnetic Door Catch



Product Information

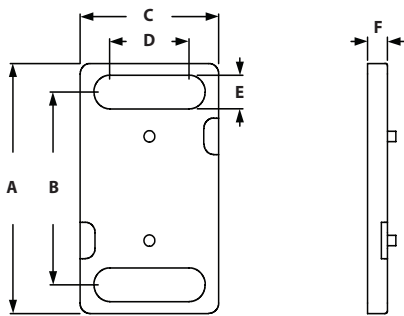
ITEM#	SERIES	MATERIAL	A	B	C	D	E	F	G	H	J	K
655087	10/15 40	Steel	2.090" 53.10mm	1.570" 39.90mm	1.220" 31.00mm	.160" 4.10mm	.600" 15.20mm	1.000" 25.40mm	1.130" 28.70mm	.770" 19.60mm	.910" 23.10mm	.700" 17.80mm

Included Fasteners

ITEM #	DESCRIPTION	QTY
651466	6-32 x 1/2" FHSCS	1
651020	6-32 x 3/8" BHSCS	2
651465	6-32 Economy T-nut	3

- Ideal for latching panels in place
- To mount to extrusion, use Magnetic Door Catch Bracket for 0° or 90° connection

Spacer for Ball Catch



- Increases distance from the Ball Catch to the extrusion profile

Product Information

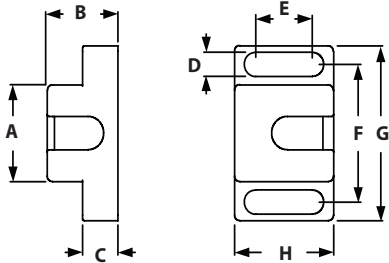
ITEM#	SERIES	MATERIAL	A	B	C	D	E	F
671086	30	Black Nylon	48.00mm	37.00mm	28.00mm	16.00mm	6.50mm	4.00mm

Recommended Fasteners (Mount to Slot)

ITEM #	SERIES	BOLT	TNUT	QTY
651749	30	M6 x 20mm BHSCS	Hammer Nut	2

Catches

Ball Catch



- Quick locking device for doors, adaptable to the thickness of panel
- Fiberglass reinforced nylon

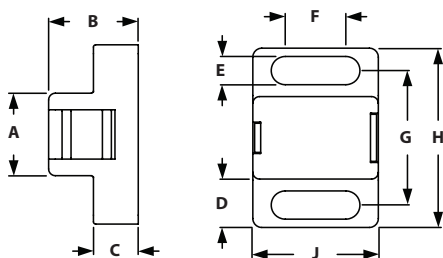
Product Information

ITEM#	SERIES	MATERIAL	A	B	C	D	E	F	G	H	J	K	L
671032	30/45	Black Nylon	26.00mm	20.00mm	10.00mm	6.50mm	16.00mm	37.00mm	47.00mm	28.00mm	M8	M8	12.00mm

Recommended Fasteners (Mount to Slot)

ITEM #	SERIES	BOLT	TNUT	QTY
651747	30	M6 x 16mm BHSCS	Hammer Nut	2
651748	45	M6 x 18mm BHSCS	Hammer Nut	2

Magnetic Catch



- Quick locking device for doors, adaptable to the thickness of panel
- Fiberglass reinforced nylon

Product Information

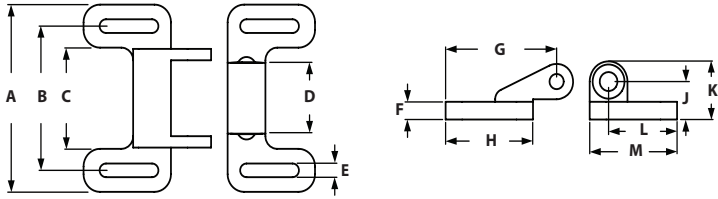
ITEM#	SERIES	MATERIAL	A	B	C	D	E	F	G	H	J	K
671031	30/45	Black Nylon	19.00mm	20.00mm	10.00mm	10.50mm	6.30mm	13.50mm	30.00mm	40.00mm	28.00mm	M5

Recommended Fasteners (Mount to Slot)

ITEM #	SERIES	BOLT	TNUT	QTY
651747	30	M6 x 16mm BHSCS	Hammer Nut	2
651748	45	M6 x 18mm BHSCS	Hammer Nut	2

Catches

Double Ball Catch



- Quick locking device for doors, adaptable to the thickness of panel
- Fiberglass reinforced nylon

Product Information

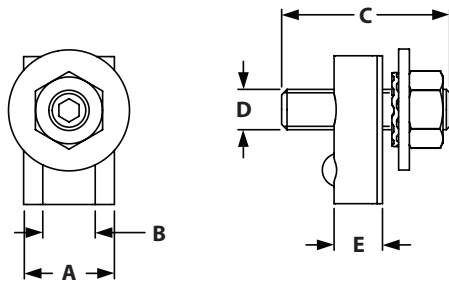
ITEM#	SERIES	MATERIAL	A	B	C	D	E	F	G	H
671075	30/45	Black Nylon	74.00mm	57.00mm	40.00mm	28.00mm	5.40mm	7.00mm	47.00mm	37.00mm

J	K	L	M
15.00mm	23.00mm	29.00mm	37.00mm

Recommended Fasteners (Mount to Slot)

ITEM #	SERIES	BOLT	TNUT	QTY
651750	30	M5 x 14mm BHSCS	Hammer Nut	4
651751	45	M5 x 16mm BHSCS	Hammer Nut	4

Grounding Terminal



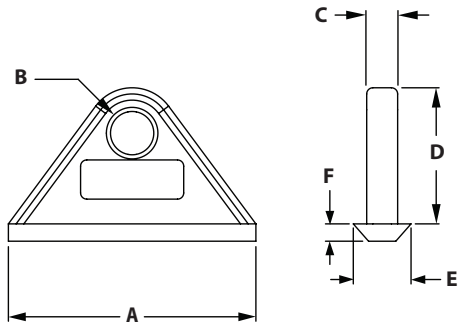
- Makes an ESD electrostatical discharging connection between panel and profile

Product Information

ITEM#	SERIES	MATERIAL	FINISH	A	B	C	D	E
651898	15 40	Steel	Zinc Plated	.531" 13.50mm	.307" 7.80mm	.984" 25.00mm	M6	.283" 7.20mm

Tool Hangers

Tool Hanger



- 100 lb. Capacity
- Ideal for hanging tools, cables, and door panels
- Slides into extrusion and moves freely in slot

Product Information

ITEM#	SERIES	MATERIAL	A	B	C	D	E	F
655095	10	Plastic PA	2.000"	.164"	.218"	1.370"	.480"	.187"
655096	15 30 45 40	Plastic PA	2.362" 60.00mm	.413" 10.50mm	.295" 7.50mm	1.299" 33.00mm	.551" 14.00mm	.165" 4.20mm

Snap Hook Tool

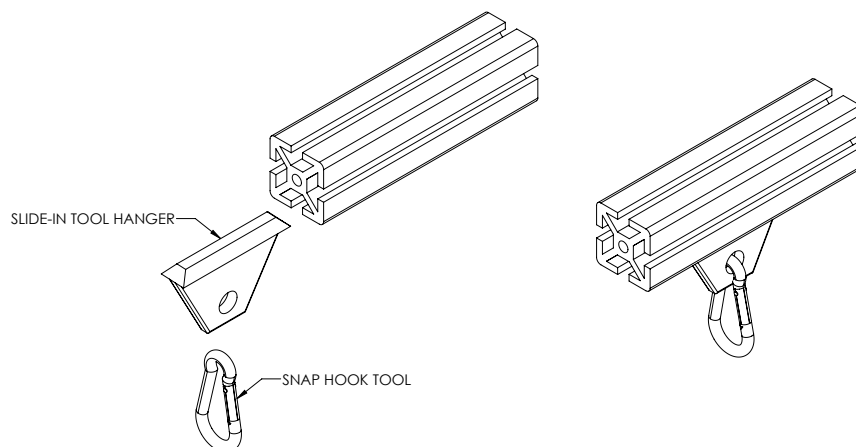
Product Information

ITEM#

671018

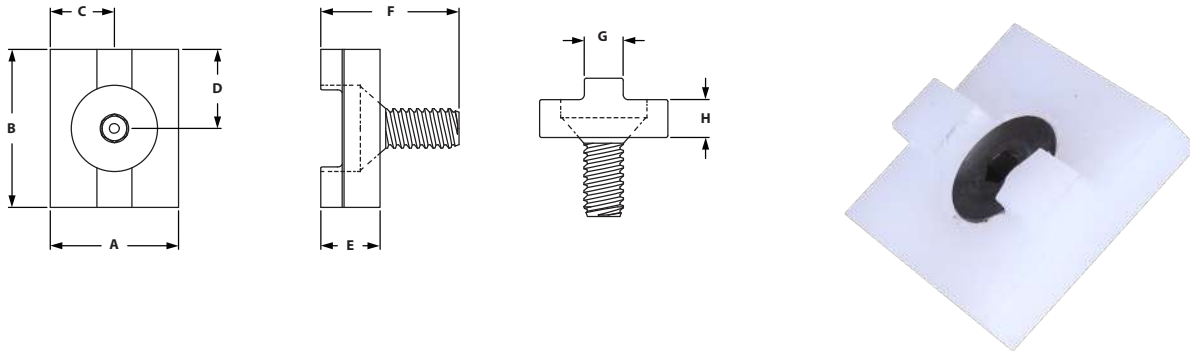


- Snaps on to Tool Hanger to hanging misc. items



Door Glides

Door Glides



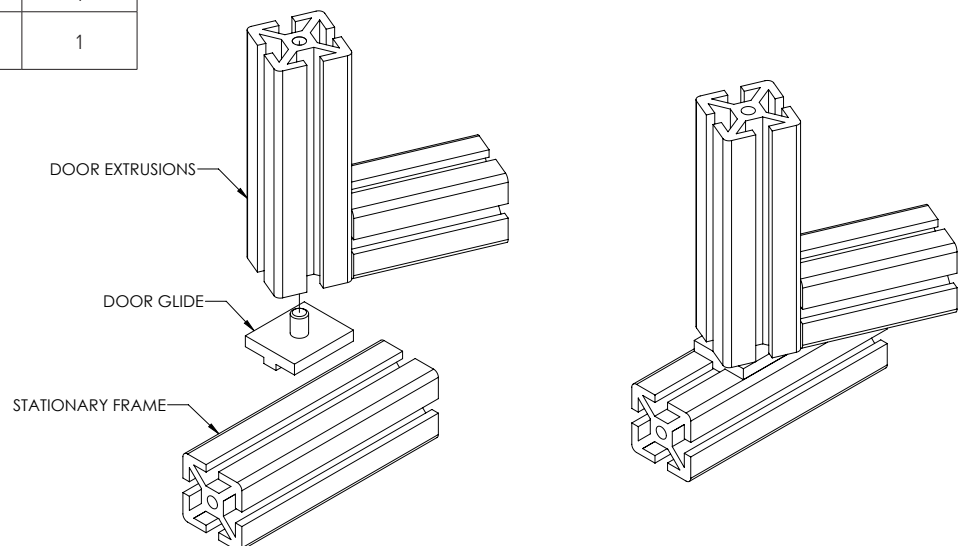
- Bolts to profile and rotates and the door moves
- Used for profiles to glide along the profile

Product Information

ITEM#	SERIES	MATERIAL	A	B	C	D	E	F	G	H
655065	10	UHMW	.812"	1.000"	.406"	.500"	.375"	.875"	.246"	.240"
655066	15	Polyethylene	1.240"	1.500"	.620"	.750"	.375"	.875"	.308"	.240"
	40		31.50mm	38.10mm	15.80mm	19.10mm	9.53mm	22.23mm	7.80mm	6.10mm

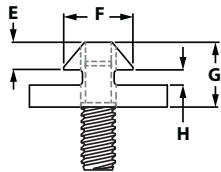
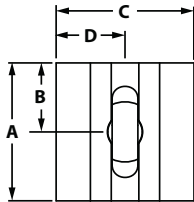
Included Fasteners (Mount to Slot)

ITEM #	SERIES	BOLT	QTY
651180	10	1/4-20 x 5/8" FHSCS	1
651182	15	5/16 x 3/4" FHSCS	1
	40		



Door Hanger Profile

Top Mount Bi-Fold Door Hanger

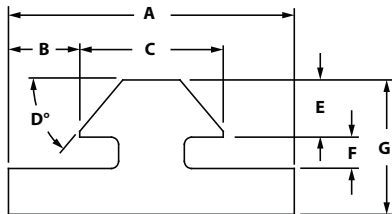


- Create sliding or bi-fold door without using a bottom rail
- Rotates freely as door pivots
- Fastens to extrusion end

Product Information

ITEM#	SERIES	MATERIAL	THREAD	A	B	C	D	E	F	G	H
655057	10	UHMW	1/4-20	1.000"	.500"	1.000"	.500"	.200"	.500"	.470"	.110"
655050	15 40	Polyethylene	5/16-18	1.500" 38.10mm	.750" 19.10mm	1.500" 38.10mm	.750" 19.10mm	.265" 6.70mm	.770" 19.60mm	.700" 17.80mm	.195" 5.00mm

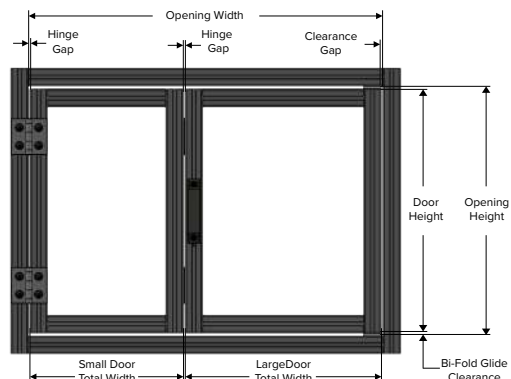
Top Mount Bi-Fold Door Hanger Profile



Product Information

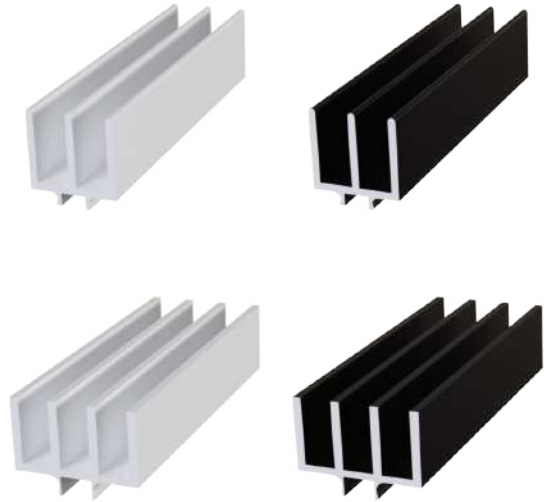
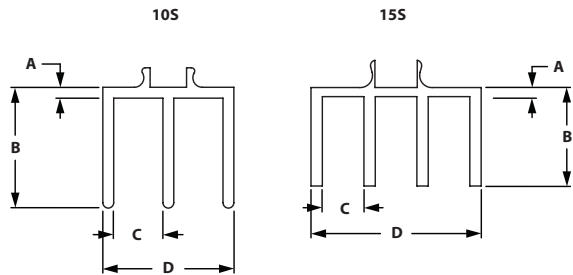
ITEM#	SERIES	MATERIAL	MAX LENGTH	A	B	C	D	E	F	G
657185	10	UHMW	145"	1.000"	.250"	.500"	50°	.200"	.110"	.470"
657186	15 40	Polyethylene	145"	1.500" 38.10mm	.365" 9.30mm	.770" 19.60mm	45°	.265" 6.70mm	.195" 5.00mm	.700" 17.80mm

1. Select profile for building your bi-fold door. Typically the same as the frame.
2. Determine the opening width for your doors.
3. Select your hinge type and identify the hinge gap between profiles for the selected hinge.
4. Choose the total width for each inside door you wish to use, subtract all hinge and clearance gaps.



Door Slide Track

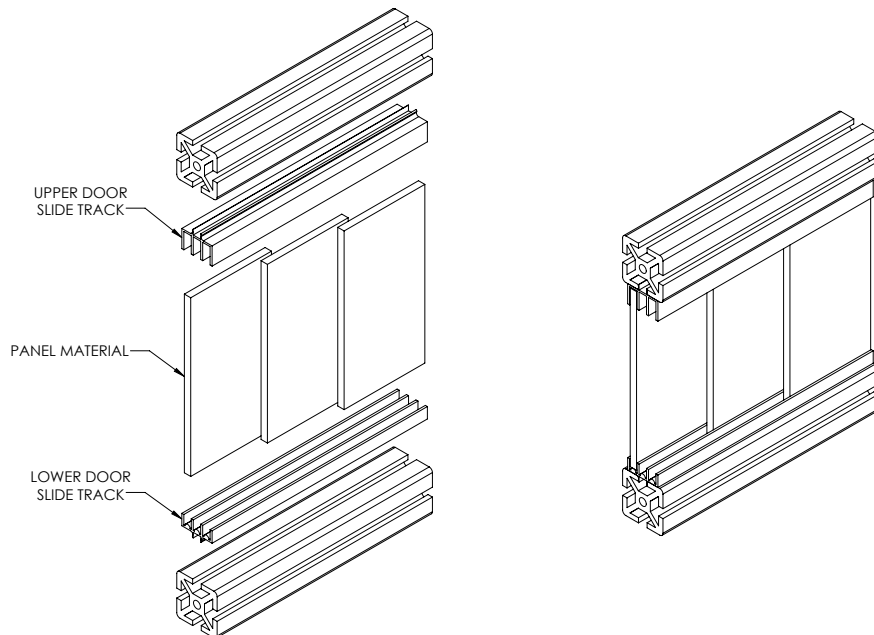
Upper Door Slide Track



- Snap fits into t-slot
- Deeper slot allows panels inserted after frame is assembled
- For panel height, subtract .500" from overall height

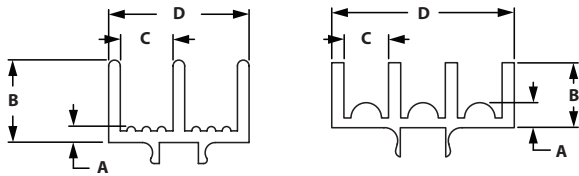
Product Information

ITEM#	SERIES	MATERIAL	FINISH	A	B	C	D
655189	10	Anodized Aluminum	Clear	.620"	.688"	.281"	.750"
654189			Black	.620"	.688"	.281"	.750"
655188	15 40		Clear	.060" 1.50mm	.650" 10.20mm	.275" 7.00mm	1.125" 28.60mm
654188			Black	.060" 1.50mm	.650" 10.20mm	.275" 7.00mm	1.125" 28.60mm



Door Slide Track

Lower Door Slide Track

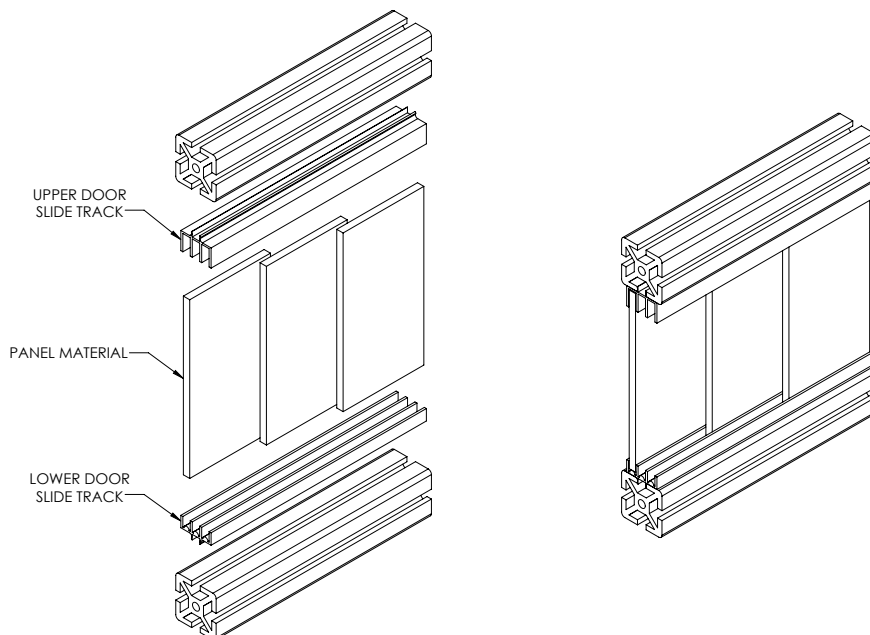


- Snap fits into t-slot
- Radius bearing surface allows for easier panel sliding
- For panel height, subtract .500" from overall height



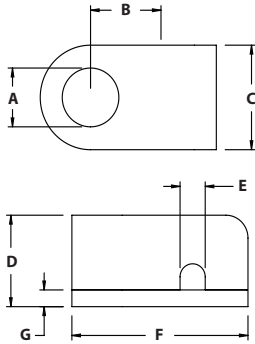
Product Information

ITEM#	SERIES	MATERIAL	FINISH	A	B	C	D
655191	10	Anodized Aluminum	Clear	.085"	.438"	.281"	.750"
654191			Black	.085"	.438"	.281"	.750"
655190	15 40		Clear	.154" 1.50mm	.400" 10.20mm	.275" 7.00mm	1.125" 28.60mm
654190			Black	.154" 1.50mm	.400" 10.20mm	.275" 7.00mm	1.125" 28.60mm



Tube Clamps

Single Tube Clamps



- Organizes tubes and wires
- Mounts 1/8" - 1" O.D tubes and wires
- Oil, chemical and acid resistant
- Stackable design

Product Information

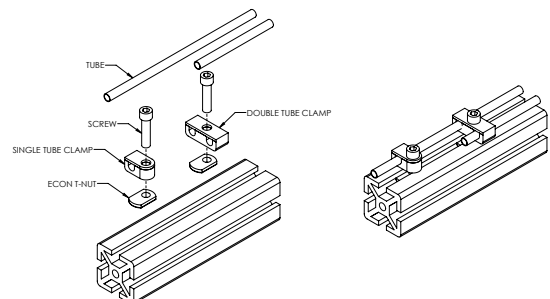
ITEM#	SERIES	MATERIAL	WIRE SIZE	A	B	C	D	E	F	G
655331	10 15 40	Plastic Polypropylene	1/8"	.281" 7.14mm	.375" 9.53mm	.500" 12.70mm	.438" 11.13mm	.125" 3.20mm	.875" 22.23mm	.063" 1.60mm
655332			1/4"	.281" 7.14mm	.375" 9.53mm	.500" 12.70mm	.438" 11.13mm	.250" 6.35mm	.875" 22.23mm	.063" 1.60mm
655333			3/8"	.281" 7.14mm	.438" 11.13mm	.625" 15.90mm	.563" 14.30mm	.375" 9.53mm	1.063" 27.00mm	.063" 1.60mm
655334			1/2"	.281" 7.14mm	.563" 14.30mm	.813" 20.65mm	.875" 22.23mm	.500" 12.70mm	1.375" 34.93mm	.063" 1.60mm
655335			3/4"	.281" 7.14mm	.750" 19.05mm	.813" 20.65mm	1.188" 30.18mm	.750" 19.05mm	1.688" 42.90mm	.063" 1.60mm
655336			1"	.281" 7.14mm	.750" 19.05mm	.813" 20.65mm	1.188" 30.18mm	1.000" 25.40mm	1.688" 42.90mm	.063" 1.60mm

Recommended Fasteners (Mount to Slot)

ITEM #	SERIES	WIRE SIZE	BOLT	TNUT	QTY
651117	10	1/8"	1/4-20 x 3/4" SHCS	Economy	1
651117		1/4"	1/4-20 x 3/4" SHCS	Economy	1
651118		3/8"	1/4-20 x 7/8" SHCS	Economy	1
651120		1/2"	1/4-20 x 1-1/4" SHCS	Economy	1
651121		3/4"	1/4-20 x 1-1/2" SHCS	Economy	1
651121		1"	1/4-20 x 1-1/2" SHCS	Economy	1
651735	15	1/8"	1/4-20 x 7/8" SHCS	Economy	1
651735		1/4"	1/4-20 x 7/8" SHCS	Economy	1
651736		3/8"	1/4-20 x " SHCS	Economy	1
651737		1/2"	1/4-20 x 1-1/4" SHCS	Economy	1
651738		3/4"	1/4-20 x 1-1/2" SHCS	Economy	1
651738		1"	1/4-20 x 1-1/2" SHCS	Economy	1

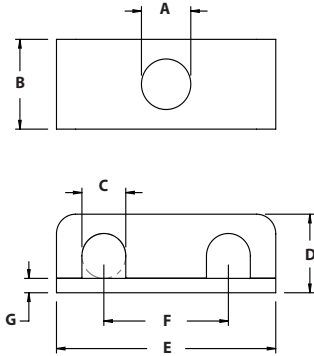
Recommended Fasteners (Mount to Slot)

ITEM #	SERIES	WIRE SIZE	BOLT	TNUT	QTY
651775	40	1/8"	M6 x 20mm SHCS	Economy	1
651777		1/4"	M6 x 25mm SHCS	Economy	1
651777		3/8"	M6 x 25mm SHCS	Economy	1
651778		1/2"	M6 x 30mm SHCS	Economy	1
651779		3/4"	M6 x 40mm SHCS	Economy	1
651779		1"	M6 x 40mm SHCS	Economy	1



Tube Clamps

Single Tube Clamps



- Organizes tubes and wires
- Mounts 1/8" - 1" O.D tubes and wires
- Oil, chemical and acid resistant
- Stackable design

Product Information

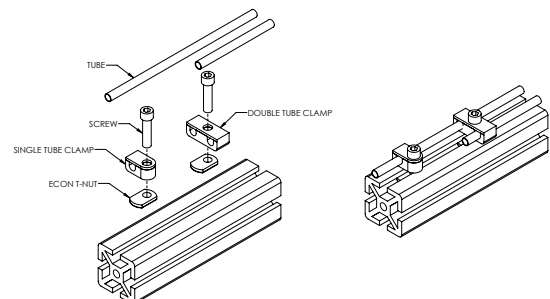
ITEM#	SERIES	MATERIAL	WIRE SIZE	A	B	C	D	E	F	G
655337	10 15 40	Plastic Polypropylene	1/8"	.281" 7.14mm	.500" 12.70mm	.125" 3.18mm	.438" 11.13mm	1.250" 31.75mm	.688" 17.48mm	.063" 1.60mm
655338			1/4"	.281" 7.14mm	.500" 12.70mm	.250" 6.35mm	.438" 11.13mm	1.250" 31.75mm	.688" 17.48mm	.063" 1.60mm
655339			3/8"	.281" 7.14mm	.625" 15.90mm	.375" 9.53mm	.563" 14.30mm	1.563" 39.70mm	.875" 22.23mm	.063" 1.60mm
655340			1/2"	.281" 7.14mm	.813" 20.65mm	.500" 12.70mm	.875" 22.23mm	2.125" 53.98mm	1.188" 30.18mm	.063" 1.60mm
655341			3/4"	.281" 7.14mm	.813" 20.65mm	.750" 19.05mm	1.188" 30.18mm	2.813" 71.45mm	1.500" 38.10mm	.063" 1.60mm
655342			1"	.281" 7.14mm	.813" 20.65mm	1.000" 25.40mm	1.188" 30.18mm	2.813" 71.45mm	1.500" 38.10mm	.063" 1.60mm

Recommended Fasteners (Mount to Slot)

ITEM #	SERIES	WIRE SIZE	BOLT	TNUT	QTY
651117	10	1/8"	1/4-20 x 3/4" SHCS	Economy	1
651117		1/4"	1/4-20 x 3/4" SHCS	Economy	1
651118		3/8"	1/4-20 x 7/8" SHCS	Economy	1
651120		1/2"	1/4-20 x 1-1/4" SHCS	Economy	1
651121		3/4"	1/4-20 x 1-1/2" SHCS	Economy	1
651121		1"	1/4-20 x 1-1/2" SHCS	Economy	1
651735		15	1/8"	1/4-20 x 7/8" SHCS	Economy
651735	1/4"		1/4-20 x 7/8" SHCS	Economy	1
651736	3/8"		1/4-20 x " SHCS	Economy	1
651737	1/2"		1/4-20 x 1-1/4" SHCS	Economy	1
651738	3/4"		1/4-20 x 1-1/2" SHCS	Economy	1
651738	1"		1/4-20 x 1-1/2" SHCS	Economy	1

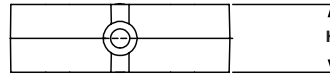
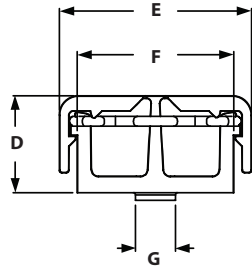
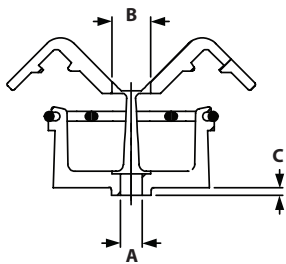
Recommended Fasteners (Mount to Slot)

ITEM #	SERIES	WIRE SIZE	BOLT	TNUT	QTY
651775	40	1/8"	M6 x 20mm SHCS	Economy	1
651777		1/4"	M6 x 25mm SHCS	Economy	1
651777		3/8"	M6 x 25mm SHCS	Economy	1
651778		1/2"	M6 x 30mm SHCS	Economy	1
651779		3/4"	M6 x 40mm SHCS	Economy	1
651779		1"	M6 x 40mm SHCS	Economy	1



Cable Binder

Clip Cable Binder



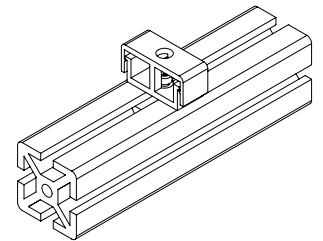
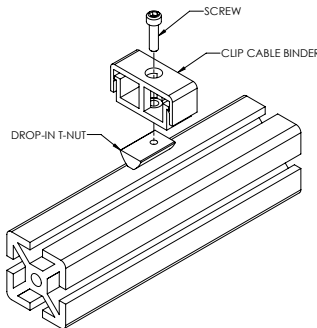
- Max cable diameter is 0.5"
- Fix cables to without need of cable ties
- Can be opened and closed

Product Information

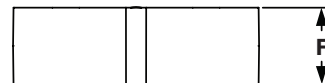
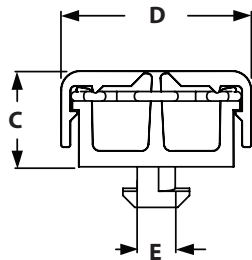
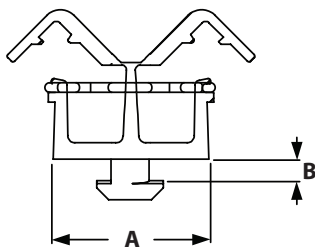
ITEM#	SERIES	MATERIAL	A	B	C	D	E	F	G	H
671089	15 30 40	Plastic PA	Ø.169" Ø4.30mm	.315" 8.00mm	.062" 1.60mm	.787" 20.00mm	1.575" 40.00mm	1.283" 32.60mm	.315" 8.00mm	.630" 16.00mm
671090	45	Plastic PA	Ø4.30mm	8.00mm	2.50mm	20.00mm	40.00mm	32.60mm	10.00mm	16.00mm

Included Fasteners (Mount to Slot)

ITEM #	SERIES	BOLT	TNUT	QTY
651732	15 40	8-32 x 5/8" SHCS	Drop-In	1
651754	30	M4 x 8mm SHCS	Hammer Nut	1
651755	45	M4 x 12mm SHCS	Hammer Nut	1



Clip Cable Binder with Hammer

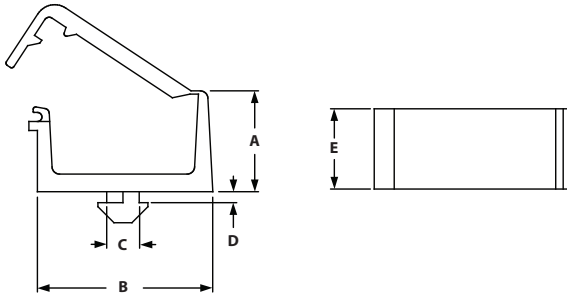


Product Information

ITEM#	SERIES	MATERIAL	A	B	C	D	E	F
671092	30	Plastic PA	32.60mm	2.00mm	20.00mm	40.00mm	8.00mm	16.00mm
671091	45	Plastic PA	32.60mm	5.90mm	20.00mm	40.00mm	10.00mm	16.00mm

Cable Binder

Clip Cable Binder with Hammer

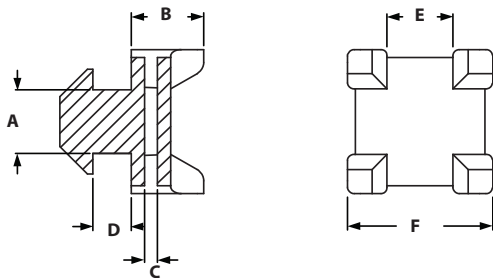


- Fix cables to without need of cable ties
- Can be opened and closed
- Mounted into slot by quarter turn

Product Information

ITEM#	SERIES	MATERIAL	A	B	C	D	E
656040	10 25	Plastic PA	.787" 20.00mm	1.535" 39.00mm	.256" 6.50mm	.087" 2.20mm	.630" 16.00mm
656043	15 40		.787" 20.00mm	1.535" 39.00mm	.315" 8.00mm	.177" 4.50mm	.630" 16.00mm
656039	20		20.00mm	39.00mm	5.00mm	1.60mm	16.00mm
656041	30		20.00mm	39.00mm	8.00mm	2.00mm	16.00mm
656042	45		20.00mm	39.00mm	10.00mm	5.90mm	16.00mm

Cross Cable Binding Block



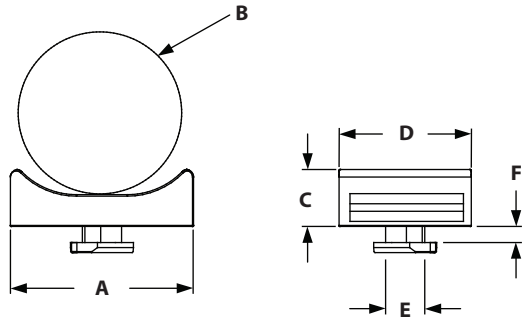
- Secure cables to extrusion with cable ties
- Insert into slot and turn a quarter turn to tighten

Product Information

ITEM#	SERIES	MATERIAL	A	B	C	D	E	F
671042	15 40	Black Nylon	.315" 8.00mm	.433" 11.00mm	.079" 2.00mm	.157" 4.00mm	.393" 10.00mm	.866" 22.00mm
671639	30		8.00mm	11.00mm	2.00mm	2.00mm	10.00mm	22.00mm
671041	45		8.00mm	11.00mm	2.00mm	5.80mm	10.00mm	22.00mm
671680	40		8.00mm	11.00mm	2.00mm	4.30mm	10.00mm	22.00mm

Cable Binder

Clip Cable Binder with Strap



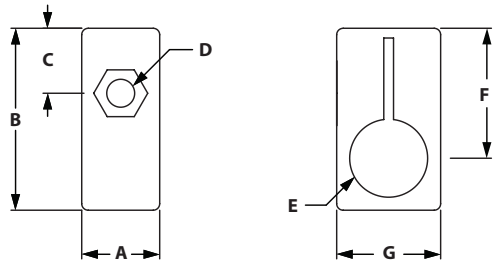
- Fix cables to profiles in two directions without the need for ties.
- Mounted in slot by a quarter turn

Product Information

ITEM#	SERIES	MATERIAL	A	B	C	D	E	F
656044	15 40	Plastic PA	1.417" 36.00mm	Ø.393" - 2.362" Ø10mm - 60mm	.445" 11.30mm	1.023" 26.00mm	.315" 8.00mm	.181" 4.60mm
656045	45	Plastic PA	36.00mm	Ø10mm - 60mm	11.30mm	26.00mm	10.00mm	5.80mm

Sensor Blocks

Sensor Mounting Block



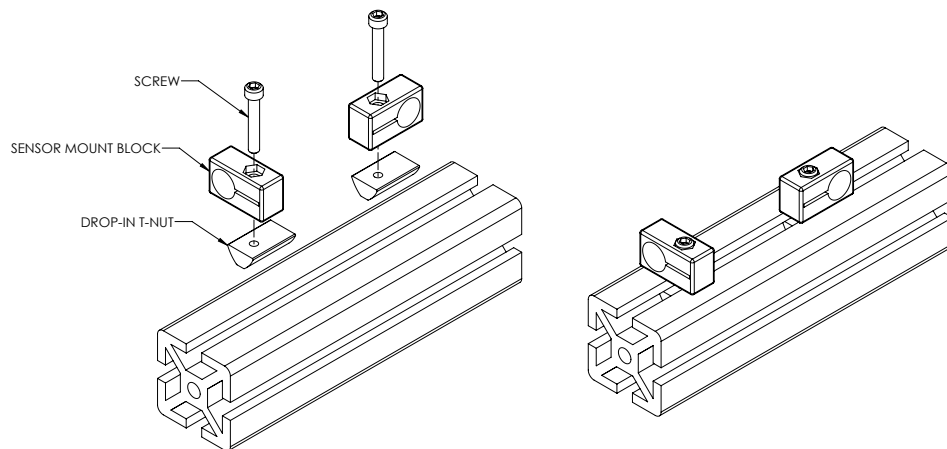
- Attach sensors to extrusion profiles
- Fully adjustable

Product Information

ITEM#	SERIES	MATERIAL	A	B	C	D	E	F	G
655764	10 15	Black Nylon	.472"	1.102"	.394"	.169"	.256"	.787"	.630"

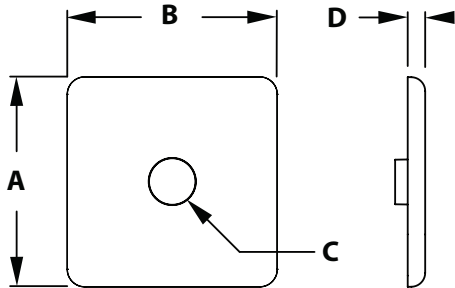
Recommended Fasteners (Mount to Slot)

ITEM #	SERIES	BOLT	TNUT	QTY
651730	10	8-32 x 3/4" SHCS	Drop-In	1
651731	15	8-32 x 1" SHCS	Drop-In	1



End Caps

End Cap with Holes



- Cap off extrusion ends
- Extrusion ends can be tapped and fastened with bolt

Product Information

ITEM#	SERIES	MATERIAL	PROFILE	COLOR	A	B	C	D
655858	10	HIPS	1010	Black	1.000"	1.000"	.280"	.130"
655859			1010 QR	Black	1.000"	1.000"	.280"	.130"
655860			1020	Black	1.000"	2.000"	.280"	.130"
655861			1030	Black	1.000"	3.000"	.280"	.130"
655862			2020	Black	2.000"	2.000"	.280"	.130"
655863	15		1515	Black	1.500"	1.500"	.340"	.130"
655864			1515 QR	Black	1.500"	1.500"	.340"	.130"
655865			1530	Black	1.500"	3.000"	.340"	.130"
655866			1545	Black	1.500"	4.500"	.340"	.130"
655867			3030	Black	3.000"	3.000"	.340"	.130"
655868	40	8080	Black	80.00mm	80.00mm	8.50mm	3.00mm	

Push-In Fasteners

ITEM #	SERIES	MATERIAL	HOLE DIAMETER
651084	10	Plastic	.197"
651090	15 40	Plastic	.250" 6.40mm

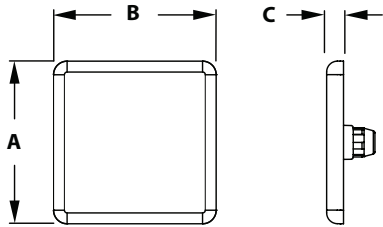
Recommended Bolt (Mount to End)

ITEM #	SERIES	BOLT
651019	10	1/4-20 x 3/8" BHSCS
659297	15	5/16-18 x 3/8" BHSCS
651343	40	M8 x 12mm BHSCS

*Tapping service required for bolt mounting

End Caps

End Cap with Stems



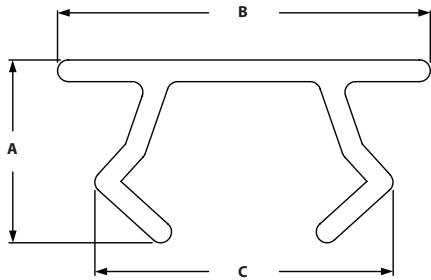
- Cap off extrusion ends

Product Information

ITEM#	SERIES	MATERIAL	PROFILE	COLOR	A	B	C
655000	10	Nylon PA	1010	Black	1.000"	1.000"	.125"
655005			1010 QR	Black	1.000"	1.000"	.125"
655010			1020	Black	1.000"	2.000"	.125"
655015			1030	Black	1.000"	3.000"	.125"
655020			2020	Black	2.000"	2.000"	.125"
655025	15		1515	Black	1.500"	1.500"	.155"
655850				Blue	1.500"	1.500"	.155"
655030			1515 QR	Black	1.500"	1.500"	.155"
655035			1530	Black	1.500"	3.000"	.155"
655851				Blue	1.500"	3.000"	.155"
655040			1545	Black	1.500"	4.500"	.155"
655045			3030	Black	3.000"	3.000"	.155"
655703			20	2020 B	Black	20.00mm	20.00mm
671000	30		3030 B	Black	30.00mm	30.00mm	4.00mm
671013			3060 B	Black	30.00mm	60.00mm	4.00mm
671008	40		4040 B	Black	40.00mm	40.00mm	4.00mm
671768			4080 B	Black	40.00mm	80.00mm	4.00mm
671769			8080 B	Black	80.00mm	80.00mm	4.00mm
671001	45		22.5 x 45 B	Black	22.50mm	45.00mm	4.00mm
671002			4545 B	Black	45.00mm	45.00mm	4.00mm
671756			4545 B QR	Black	45.00mm	45.00mm	4.00mm
671003			4560 B	Black	45.00mm	60.00mm	4.00mm
671009			4590 B	Black	45.00mm	90.00mm	4.00mm
671004			6060 B	Black	60.00mm	60.00mm	4.00mm
671007			6090 B	Black	60.00mm	90.00mm	4.00mm
671006			9090 B	Black	90.00mm	90.00mm	4.00mm
671734	20		2020 M	Black	20.00mm	20.00mm	2.50mm
671735			2040 M	Black	20.00mm	40.00mm	2.50mm
659054	40	4040 M	Black	40.00mm	40.00mm	4.00mm	
659055		4080 M	Black	40.00mm	80.00mm	4.00mm	
659057		8080 M	Black	80.00mm	80.00mm	3.00mm	

T-Slot Cover

Economy T-Slot Cover



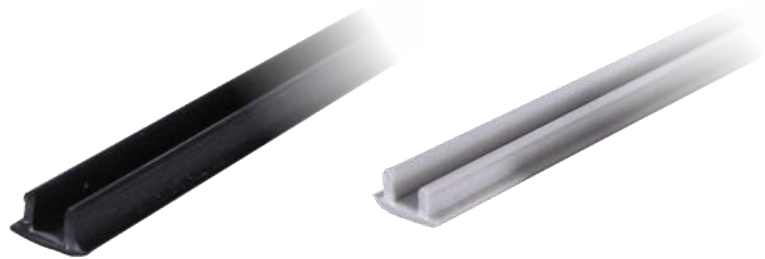
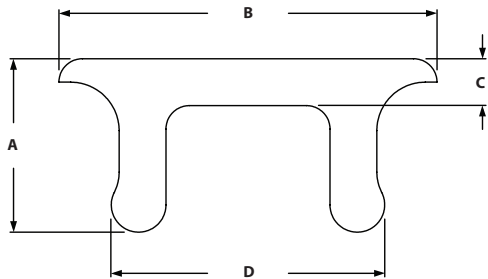
- Keeps dust and debris out of the slots
- Covers wires and tubes in slots

Product Information

ITEM#	SERIES	MATERIAL	LENGTH	COLOR	A	B	C
655520	10	PVC	72"	Yellow	.211"	.430"	.313"
655521	10			Black	.211"	.430"	.313"
655522	10			Gray	.211"	.430"	.313"
655523	15 40			Yellow	.282" 7.20mm	.505" 12.80mm	.416" 10.60mm
655524				Black	.282" 7.20mm	.505" 12.80mm	.416" 10.60mm
655525				Gray	.282" 7.20mm	.505" 12.80mm	.416" 10.60mm
655526				Red	.282" 7.20mm	.505" 12.80mm	.416" 10.60mm
655527				Blue	.282" 7.20mm	.505" 12.80mm	.416" 10.60mm
655528				Orange	.282"	.505"	.416"
					7.20mm	12.80mm	10.60mm

T-Slot Cover

Deluxe T-Slot Cover

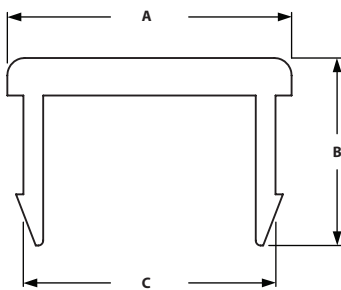


- Keeps dust and debris out of the slots
- Covers wires and tubes in slots
- Thicker and more durable than Economy Cover

Product Information

ITEM#	SERIES	MATERIAL	LENGTH	COLOR	A	B	C	D
655105	15	PP	96"	Black	.275"	.484"	.080"	.354"
655106	40			Gray	7.00mm	12.30mm	2.00mm	9.00mm

Cover Profile

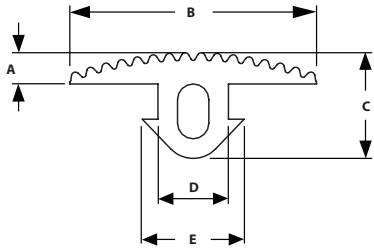


Product Information

ITEM#	SERIES	MATERIAL	LENGTH	COLOR	A	B	C
671020	30	PP	2 Meters	Black	8.80mm	3.80mm	8.20mm
671612				Yellow	8.80mm	3.80mm	8.20mm
671613				Gray	8.80mm	3.80mm	8.20mm
671019	45			Black	11.50mm	7.50mm	10.20mm
671614				Yellow	11.50mm	7.50mm	10.20mm
671615				Gray	11.50mm	7.50mm	10.20mm

T-Slot Cover Profile

T-Slot Stair Tread / Cover Profile

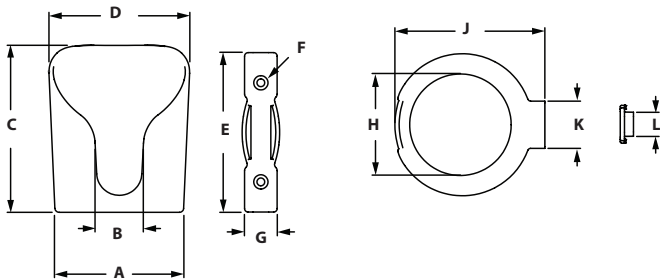


- Can be used as an anti-slip stair tread
- Cut to specific length
- Order by feet

Product Information

ITEM#	SERIES	MATERIAL	MAX LENGTH	A	B	C	D	E
655956	10	TPE	250'	.092"	.886"	.378"	.272"	.350"
655762	15 40		26'	.157" 4.00mm	1.224" 31.10mm	.516" 13.11mm	.335" 8.51mm	.472" 12.00mm

Cup Holder



- Holds thermo bags, oil cans, drinks, or drills
- Securely fastens to slot of extrusion

Product Information

ITEM#	SERIES	MATERIAL	STYLE	A	B	C	D	E	F
671078	15 30	Black Nylon	Open Bottom	3.583" 93.00mm	1.339" 34.00mm	4.646" 118.00mm	3.909" 100.00mm	4.409" 112.00mm	.216" 5.50mm
671079	45 40		Closed Bottom	3.583" 93.00mm	1.339" 34.00mm	4.646" 118.00mm	3.909" 100.00mm	4.409" 112.00mm	.216" 5.50mm

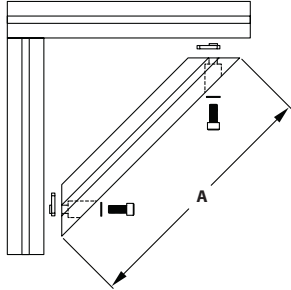
G	H	J	K	L
.906" 23.00mm	2.795" 71.00mm	4.173" 106.00mm	1.299" 33.00mm	.276" 17.00mm
.906" 23.00mm	N/A	4.173" 106.00mm	1.299" 33.00mm	.276" 17.00mm

Recommended Fasteners (Mount to Slot)

ITEM #	SERIES	BOLT	TNUT	QTY
651728	15 30 40	M5 x 16mm FHSCS	Hammer Nut	2
651760	45	M5 x 20mm FHSCS	Hammer Nut	2

45 Degree Supports

45° Supports



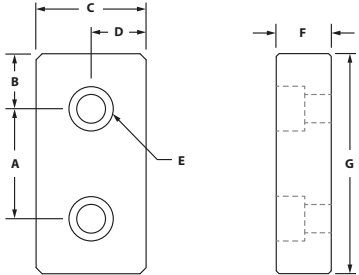
- Create 45° supports without external joining plates
- Custom lengths to your specifications
- Fasteners included

Product Information

ITEM#	SERIES	PROFILE	(LENGTH)	BOLT	QTY	INCLUDED FASTENERS		WASHER	QTY
			A			T-NUT	QTY		
655371	10	1010	6.000"	651024	2	651163	2	651080	2
655375			12.000"	651024	2	651163	2	651080	2
655380			18.000"	651024	2	651163	2	651080	2
655372		1020	6.000"	651024	4	651163	4	651080	4
655373			12.000"	651024	4	651163	4	651080	4
655374			18.000"	651024	4	651163	4	651080	4
655355	15	1515	6.000"	651052	2	651097	2	651081	2
655359			12.000"	651052	2	651097	2	651081	2
655363			18.000"	651052	2	651097	2	651081	2
655365			24.000"	651052	2	651097	2	651081	2
655368		1515 L	6.000"	651052	2	651097	2	651081	2
655367			12.000"	651052	2	651097	2	651081	2
655369			18.000"	651052	2	651097	2	651081	2
655370			24.000"	651052	2	651097	2	651081	2
655357		1530	6.000"	651052	4	651097	4	651081	4
655361			12.000"	651052	4	651097	4	651081	4
655364			18.000"	651052	4	651097	4	651081	4
655366			24.000"	651052	4	651097	4	651081	4
655381		1530 L	6.000"	651052	4	651097	4	651081	4
655382			12.000"	651052	4	651097	4	651081	4
655383			18.000"	651052	4	651097	4	651081	4
655384			24.000"	651052	4	651097	4	651081	4
655356		1545	6.000"	651052	6	651097	6	651081	6
655358			12.000"	651052	6	651097	6	651081	6
655360			18.000"	651052	6	651097	6	651081	6
655362			24.000"	651052	6	651097	6	651081	6

Manifold Plates

2 Hole Blank Pressure Manifold

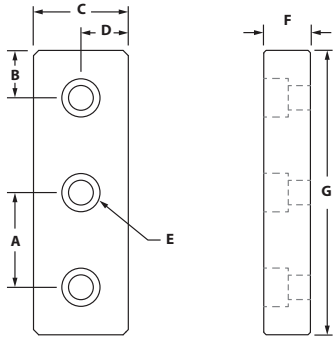


- Compatible with most fluids and gases
- Allows you to pressurize your machine
- 150 p.s.i maximum pressure
- Hardware included

Product Information

ITEM#	SERIES	MATERIAL	FINISH	A	B	C	D	(BOLT SIZE) E	F	G
655257	10	Aluminum	Clear	1.000"	.500"	1.000"	.500"	1/4 SHCS	.500"	2.000"
655256	15			1.500"	.750"	1.500"	.750"	5/16 SHCS	.750"	3.000"

3 Hole Blank Pressure Manifold



- Compatible with most fluids and gases
- Allows you to pressurize your machine
- 150 p.s.i maximum pressure
- Hardware included

Product Information

ITEM#	SERIES	MATERIAL	FINISH	A	B	C	D	(BOLT SIZE) E	F	G
655303	10	Aluminum	Clear	1.000"	.500"	1.000"	.500"	1/4 SHCS	.500"	3.000"
655150	15			1.500"	.750"	1.500"	.750"	5/16 SHCS	.750"	4.500"

Included Hardware (2 Hole Manifold)

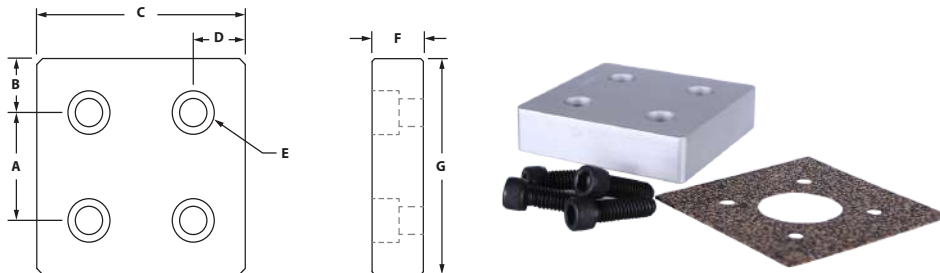
ITEM #	SERIES	BOLT	QTY	GASKET	QTY
651028	10	1/4-20 x 7/8" SHCS	2	655142	1
651059	15	5/16-18 x 1" SHCS	2	655143	1

Included Hardware (3 Hole Manifold)

ITEM #	SERIES	BOLT	QTY	GASKET	QTY
651028	10	1/4-20 x 7/8" SHCS	3	655161	1
651059	15	5/16-18 x 1" SHCS	3	655125	1

Manifold Plates

4 Hole Blank Pressure Manifold

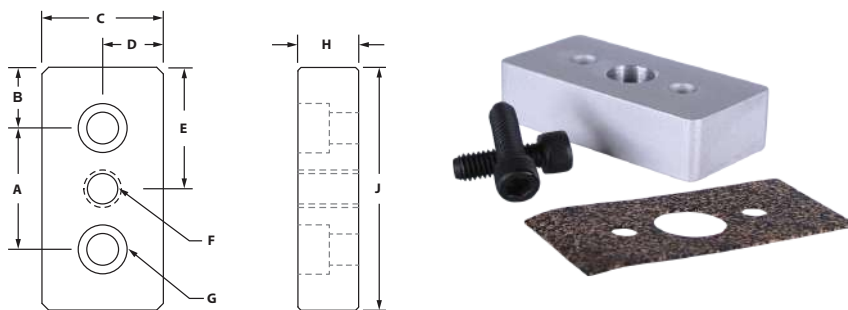


- Compatible with most fluids and gases
- Allows you to pressurize your machine
- 150 p.s.i maximum pressure
- Hardware included

Product Information

ITEM#	SERIES	MATERIAL	FINISH	A	B	C	D	(BOLT SIZE) E	F	G
655258	10	Aluminum	Clear	1.000"	.500"	2.000"	.500"	1/4 SHCS	.500"	2.000"
655259	15			1.500"	.750"	3.000"	.750"	5/16 SHCS	.750"	3.000"

3 Hole End Mount Pressure Manifold



- Compatible with most fluids and gases
- Allows you to pressurize your machine
- 150 p.s.i maximum pressure
- Hardware included

Product Information

ITEM#	SERIES	MATERIAL	FINISH	A	B	C	D	E	(THREAD) F	(BOLT SIZE) G	H	J
655141	10	Aluminum	Clear	1.000"	.500"	1.000"	.500"	1.000"	1/4" NPT	1/4 SHCS	.500"	2.000"
655140	15			1.500"	.750"	1.500"	.750"	1.500"	3/8" NPT	5/16 SHCS	.750"	3.000"

Included Hardware (4 Hole Manifold)

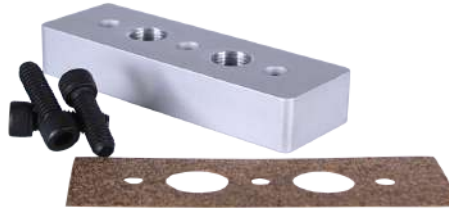
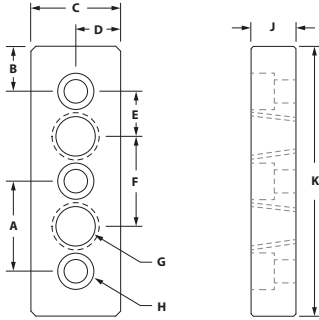
ITEM #	SERIES	BOLT	QTY	GASKET	QTY
651028	10	1/4-20 x 7/8" SHCS	4	655144	1
651059	15	5/16-18 x 1" SHCS	4	655145	1

Included Hardware (3 Hole Manifold)

ITEM #	SERIES	BOLT	QTY	GASKET	QTY
651028	10	1/4-20 x 7/8" SHCS	2	655161	1
651059	15	5/16-18 x 1" SHCS	2	655125	1

Manifold Plates

5 Hole End Mount Pressure Manifold

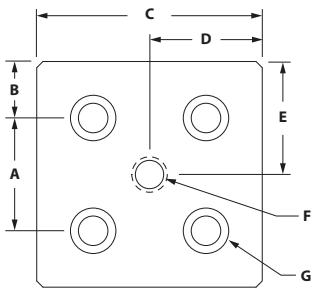


- Compatible with most fluids and gases
- Allows you to pressurize your machine
- 150 p.s.i maximum pressure
- Hardware included

Product Information

ITEM#	SERIES	MATERIAL	FINISH	A	B	C	D	E	F	(THREAD) G	(BOLT SIZE) H	J	K
655304	10	Aluminum	Clear	1.000"	.500"	1.000"	.500"	500"	1.000"	1/4" NPT	1/4 SHCS	.500"	3.000"
655151	15			1.500"	.750"	1.500"	.750"	750"	1.500"	3/8" NPT	5/16 SHCS	.750"	4.500"

5 Hole Square End Mount Pressure Manifold



- Compatible with most fluids and gases
- Allows you to pressurize your machine
- 150 p.s.i maximum pressure
- Hardware included

Product Information

ITEM#	SERIES	MATERIAL	FINISH	A	B	C	D	E	(THREAD) F	(BOLT SIZE) G	H	J
655148	10	Aluminum	Clear	1.000"	.500"	2.000"	1.000"	1.000"	3/8" NPT	1/4 SHCS	.500"	2.000"
655149	15			1.500"	.750"	3.000"	1.500"	1.500"	1/2" NPT	5/16 SHCS	.750"	3.000"

Included Hardware (5 Hole Manifold)

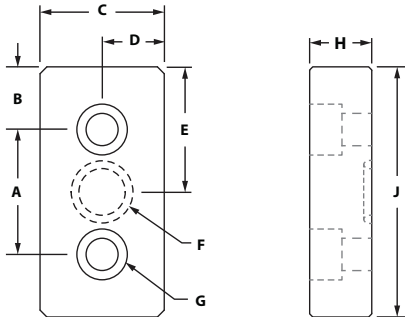
ITEM #	SERIES	BOLT	QTY	GASKET	QTY
651028	10	1/4-20 x 7/8" SHCS	3	655161	1
651059	15	5/16-18 x 1" SHCS	3	655125	1

Included Hardware (5 Hole Square Manifold)

ITEM #	SERIES	BOLT	QTY	GASKET	QTY
651028	10	1/4-20 x 7/8" SHCS	4	655144	1
651059	15	5/16-18 x 1" SHCS	4	655145	1

Manifold Plates

Blank Side Mount Pressure Manifold

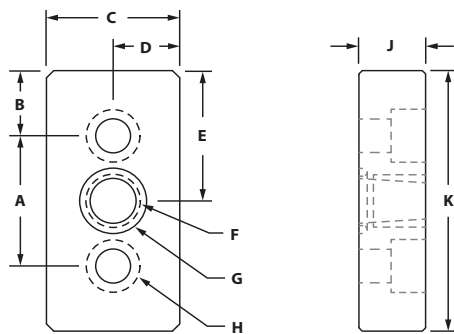


- Compatible with most fluids and gases
- Allows you to pressurize your machine
- 150 p.s.i maximum pressure
- Hardware included

Product Information

ITEM#	SERIES	MATERIAL	FINISH	A	B	C	D	E	(O-RING) F	(BOLT SIZE) G	H	J
655308	10	Aluminum	Clear	1.000"	.500"	1.000"	.500"	1.000"	1/2" OD	1/4 SHCS	.500"	2.000"
655307	15			1.500"	.750"	1.500"	.750"	1.500"	1" OD	5/16 SHCS	.750"	3.000"

3 Hole End Mount Pressure Manifold



- Compatible with most fluids and gases
- Allows you to pressurize your machine
- 150 p.s.i maximum pressure
- Hardware included

Product Information

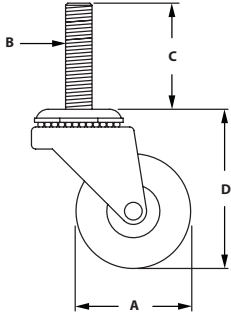
ITEM#	SERIES	MATERIAL	FINISH	A	B	C	D	E	(THREAD) F	(BOLT SIZE) G	H	J
655300	10	Aluminum	Clear	1.000"	.500"	1.000"	.500"	1.000"	1/8" NPT	1/4 SHCS	.500"	2.000"
655301	15			1.500"	.750"	1.500"	.750"	1.500"	1/4" NPT	5/16 SHCS	.750"	3.000"
655302				1.500"	.750"	1.500"	.750"	1.500"	3/8" NPT	5/16 SHCS	.750"	3.000"

Included Hardware

ITEM #	SERIES	BOLT	T-NUT	QTY	O-RING	QTY
651028	10	1/4-20 x 1/2" SHCS	Economy	2	655147	1
651059	15	5/16-18 x 7/8" SHCS	Economy	2	655146	1

Casters

Threaded Stem Swivel Casters



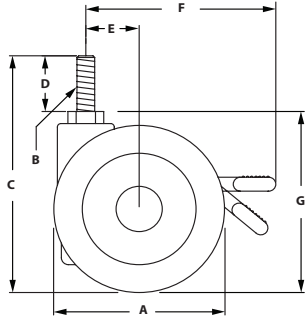
- Mounts directly to extrusion end for 10 series
- Base plates are needed for 15 and 40 series

Product Information

ITEM#	SERIES	CAPACITY	COLOR	BRAKE	A	B	C	(LOAD HEIGHT) D
655231	10 15	60 lbs.	Black	No	1.620"	3/8-16	1.500"	2.250"
655232		80 lbs.	Black	Yes	2.000"	3/8-16	1.500"	2.600"
655233		120 lbs.	Black	Yes	3.000"	3/8-16	1.500"	3.500"
655234		255 lbs.	Black	Yes	4.000"	7/16-14	1.500"	4.500"
655235		255 lbs.	Black	Yes	5.000"	7/16-14	1.500"	5.500"
655236		150 lbs.	Black	Yes	5.000"	7/16-14	1.500"	5.750"
651524	40	220 lbs.	Black	Yes	75.00mm	M10	30.00mm	104.00mm
651525		240 lbs.	Black	Yes	100.00mm	M10	30.00mm	133.00mm
651526		285 lbs.	Black	Yes	125.00mm	M10	30.00mm	158.00mm

Casters

Furniture Style Casters



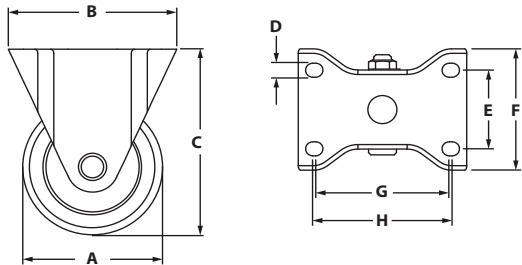
- Mounts directly to extrusion end for 15 series
- Base plates for 10 and 15 series

Product Information

ITEM#	SERIES	CAPACITY	COLOR	BRAKE	A	B	C	D	E	F	G
655225	10 15	165 lbs.	Black	No	2.850"	3/8-16	4.400"	1.000"	.944"	3.660"	3.250"
655226		165 lbs.	Black	Yes	2.850"	3/8-16	4.400"	1.000"	.944"	3.660"	3.250"
655227		225 lbs.	Black	No	3.930"	3/8-16	5.820"	1.000"	1.370"	4.880"	4.375"
655228		225 lbs.	Black	Yes	3.930"	3/8-16	5.820"	1.000"	1.370"	4.880"	4.375"
655229		225 lbs.	Black	No	4.920"	1/2-13	6.730"	1.000"	1.370"	5.750"	5.438"
655230		225 lbs.	Black	Yes	4.920"	1/2-13	6.730"	1.000"	1.370"	5.750"	5.438"

Casters

Rigid Flange Mount Casters

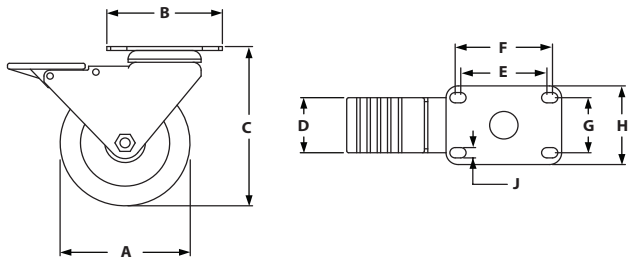


- Mounts directly to extrusion end for 10 series
- Base plates are needed for 15 and 40 series - See page 390

Product Information

ITEM#	SERIES	CAPACITY	COLOR	A	B	C	D	E	F	G	H
655239	10 15 40	350 lbs.	Black	3.000" 76.20mm	3.625" 92.10mm	4.125" 105.00mm	.328" 8.33mm	1.750" 44.45mm	2.375" 60.30mm	2.875" 73.00mm	3.000" 76.20mm
655241		275 lbs.	Gray	4.000" 101.60mm	3.625" 92.10mm	5.250" 133.00mm	.328" 8.33mm	1.750" 44.45mm	2.375" 60.30mm	2.875" 73.00mm	3.000" 76.20mm
655243		280 lbs.	Gray	5.000" 127.00mm	3.625" 92.10mm	6.250" 159.00mm	.328" 8.33mm	1.750" 44.45mm	2.375" 60.30mm	2.875" 73.00mm	3.000" 76.20mm

Swivel Flange Mount Casters



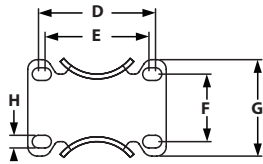
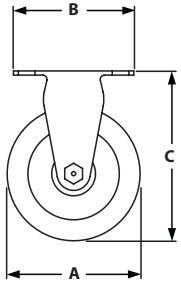
- Mounts directly to extrusion end for 15 series
- Base plates for 10 and 15 series - See Page 390

Product Information

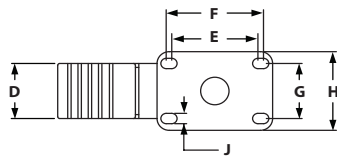
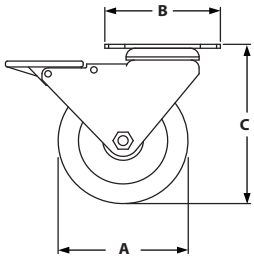
ITEM#	SERIES	CAPACITY	COLOR	BRAKE	A	B	C	D	E	F	G	H	J
655245	10 15 40	350 lbs.	Black	Yes	3.000" 76.0mm	3.630" 92.10mm	4.125" 105.00mm	1.750" 44.45mm	2.813" 71.45mm	3.063" 77.80mm	1.750" 44.45mm	2.500" 63.50mm	.340" 8.64mm
655247		275 lbs.	Gray	Yes	4.000" 101.60mm	3.630" 92.10mm	5.250" 130.00mm	1.750" 44.45mm	2.813" 71.45mm	3.063" 77.80mm	1.750" 44.45mm	2.500" 63.50mm	.340" 8.64mm
655249		300 lbs.	Gray	Yes	5.000" 127.00mm	3.630" 92.10mm	6.188" 157.00mm	1.750" 44.45mm	2.813" 71.45mm	3.063" 77.80mm	1.750" 44.45mm	2.500" 63.50mm	.340" 8.64mm

Casters

Rigid & Swivel Deluxe Flange Mount Casters



- Total Lock brakes - Press to lock and unlock
- Double ball hardened raceways
- Zerk fittings in wheel bearings



Product Information - Rigid Casters

ITEM#	SERIES	CAPACITY	COLOR	A	B	C	D	E	F	G	H	J
655252	10	275 lbs.	Dark Red	4.000"	3.630"	5.125"	1.750"	3.063"	2.813"	1.750"	2.500"	.340"
	15			101.60mm	92.20mm	130.00mm	44.45mm	77.80mm	71.45mm	44.45mm	63.50mm	8.64mm
655253	40	300 lbs.	Dark Red	5.000"	3.630"	6.18"	1.750"	3.063"	2.813"	1.750"	2.500"	.340"
				127.00mm	92.20mm	157.00mm	44.45mm	77.80mm	71.45mm	44.45mm	63.50mm	8.64mm

Product Information - Swivel Casters

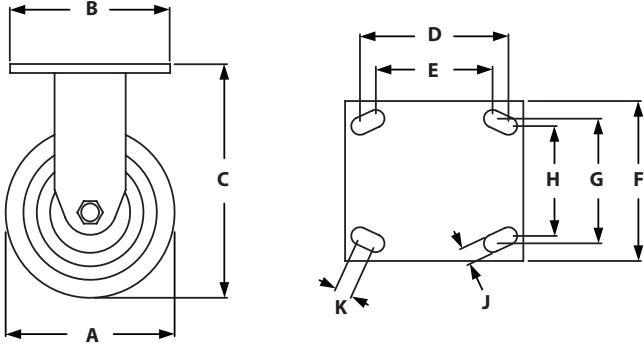
ITEM#	SERIES	CAPACITY	COLOR	BRAKE	A	B	C	D	E	F	G	H
655250	10	275 lbs.	Dark Red	Yes	4.000"	3.630"	5.125"	3.063"	2.813"	1.750"	2.500"	.340"
	15				101.60mm	92.20mm	130.00mm	77.80mm	71.45mm	44.45mm	63.50mm	8.64mm
655251	40	300 lbs.	Dark Red	Yes	5.000"	3.630"	6.187"	3.063"	2.813"	1.750"	2.500"	.340"
					127.00mm	92.20mm	157.00mm	77.80mm	71.45mm	44.45mm	63.50mm	8.64mm

Recommended Fasteners (Mount to Base Plate)

ITEM #	SERIES	BOLT	QTY	BASE PLATES
651050	15	5/16-18 x 5/8" SHCS	4	Page 390
651346	40	M8 x 20mm SHCS	4	

Casters

Rigid Heavy Duty Flange Mount Casters



- 5" and 6" diameters casters for heavy duty applications



Product Information

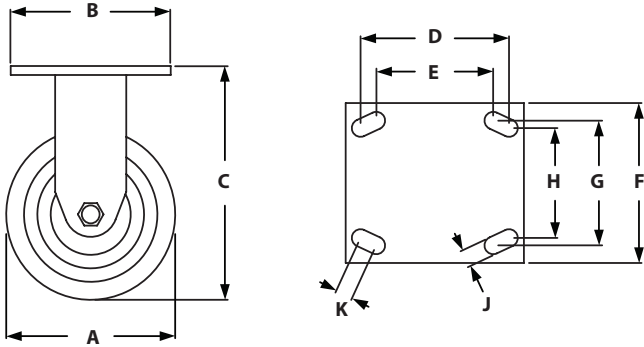
ITEM#	SERIES	CAPACITY	COLOR	A	B	C	D	E	F	G	H	J	K
655459	15	500 lbs.	Gray	5.000"	4.500"	6.500"	3.620"	3.000"	4.000"	3.000"	2.620"	.420"	.562"
655461		600 lbs.	Black	6.000"	4.500"	7.500"	3.620"	3.000"	4.000"	3.000"	2.620"	.420"	.562"
655463		600 lbs.	Dark Red	5.000"	4.500"	6.500"	3.620"	3.000"	4.000"	3.000"	2.620"	.420"	.562"
655465		720 lbs.	Dark Red	6.000"	4.500"	7.500"	3.620"	3.000"	4.000"	3.000"	2.620"	.420"	.562"

Recommended Fasteners (Mount to Base Plate)

ITEM #	SERIES	BOLT	QTY	BASE PLATES
651062	15	3/8-16 x 3/4" SHCS	4	Page 391

Casters

Swivel Heavy Duty Flange Mount Casters



- 5" and 6: Diameters casters for heavy duty applications

Product Information

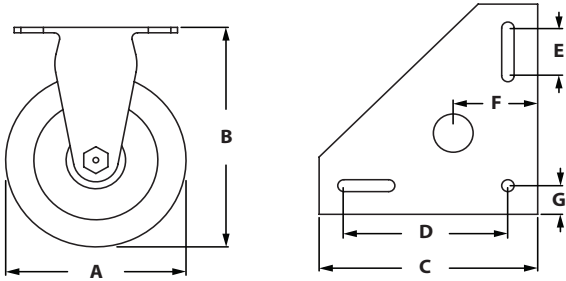
ITEM#	SERIES	CAPACITY	COLOR	BRAKE	A	B	C	D	E	F	G	H	J	K
655458	15	500 lbs.	Gray	No	5.000"	4.500"	6.500"	3.620"	3.000"	4.000"	3.000"	2.620"	.420"	.562"
655460		600 lbs.	Black	No	6.000"	4.500"	7.500"	3.620"	3.000"	4.000"	3.000"	2.620"	.420"	.562"
655462		600 lbs.	Dark Red	No	5.000"	4.500"	6.500"	3.620"	3.000"	4.000"	3.000"	2.620"	.420"	.562"
655744		700 lbs.	Black	Yes	6.000"	4.500"	7.500"	3.620"	3.000"	4.000"	3.000"	2.620"	.420"	.562"
655464		720 lbs.	Dark Red	No	6.000"	4.500"	7.500"	3.620"	3.000"	4.000"	3.000"	2.620"	.420"	.562"

Recommended Fasteners (Mount to Base Plate)

ITEM #	SERIES	BOLT	QTY	BASE PLATES
651062	15	3/8-16 x 3/4" SHCS	4	Page 391

Casters

Triangular Top Plate Casters



- Mounts directly to extrusion
- Swivel and wheel lock features

Product Information

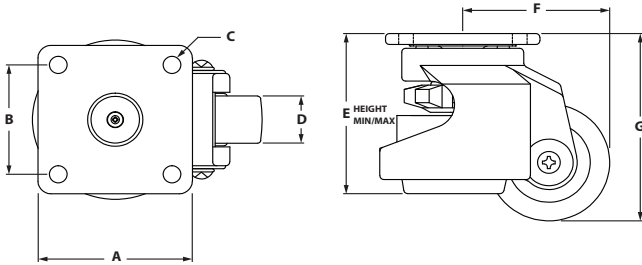
ITEM#	SERIES	CAPACITY	COLOR	BRAKE	A	B	C	D	E	F	G
655254	10 15 40	250 lbs.	Gray	Yes	4.000" 101.60mm	5.062" 129.00mm	5.500" 139.70mm	4.125" 104.80mm	1.250" 31.75mm	2.125" 54.00mm	.750" 19.05mm
681916		300 lbs.		Yes	4.000" 101.60mm	5.125" 130.00mm	5.500" 139.70mm	4.125" 104.80mm	1.250" 31.75mm	2.125" 54.00mm	.750" 19.05mm
681917		325 lbs.		Yes	5.000" 127.00mm	6.250" 159.00mm	5.500" 139.70mm	4.125" 104.80mm	1.250" 31.75mm	2.125" 54.00mm	.750" 19.05mm

Recommended Fasteners (Mount to Extrusion)

ITEM #	SERIES	BOLT	TNUT	WASHER	QTY
651238	10	1/4-20 x 1/2" SHCS	Economy	Yes	3
651209	15	5/16-18 x 5/8" SHCS	Economy	Yes	3
651780	40	M8 x 16mm SHCS	Economy	No	3

Casters

Leveling Casters



- Leveling and mobility features
- Available in 3 sizes

Product Information

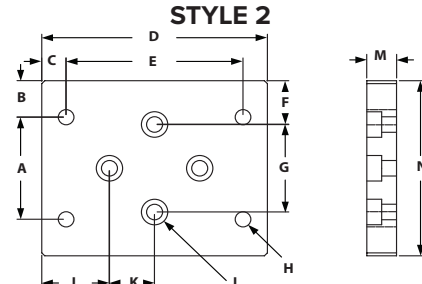
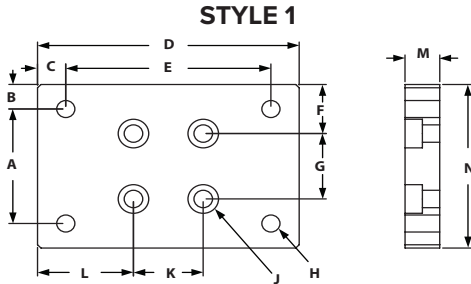
ITEM#	SERIES	CAPACITY	COLOR	A	B	C	D	E	F	G
659433	Fractional	550 lbs.	Black	2.874"	2.283"	.276"	.945"	2.705" - 3.650"	2.362"	3.229"
680466		1300 lbs.	Black	3.543"	2.756"	.315"	1.142"	3.429" - 4.607"	3.051"	4.016"
655714		2200 lbs.	Black	3.740"	2.756"	.433"	1.193"	4.035" - 5.196"	3.563"	4.720"

Recommended Fasteners (Mount to Base Plate)

BASE PLATE #	CASTER #	BOLT #	BOLT	QTY	BASE PLATES
659432	659433	651027	1/4-20 x 3/4" SHCS	4	Page 392
680465	680466	651052	5/16-18 x 3/4" SHCS	4	
655715	655714	651062	3/8-16 x 3/4" SHCS	4	

Base Plates

Flange Mount Base Plates



Product Information

ITEM#	SERIES	STYLE	FINISH	A	B	C	D	E	F	G	(TAP) H
655279	10	1	Clear	1.750"	.375"	.405"	3.750"	2.940"	.750"	1.000"	5/16-18
655281	15		Clear	1.750"	.625"	.405"	3.750"	2.940"	.750"	1.500"	5/16-18
654281			Black	1.750"	.625"	.405"	3.750"	2.940"	.750"	1.500"	5/16-18
664067	40	2	Clear	44.45mm	17.78mm	11.15mm	97.00mm	74.68mm	20.00mm	40.00mm	M8
655280	10		Clear	1.750"	.375"	.405"	3.750"	2.940"	.750"	1.000"	5/16-18
655287	15		Clear	1.750"	.625"	.405"	3.750"	2.940"	.750"	1.500"	5/16-18
664068	40		Clear	44.45mm	17.78mm	11.15mm	97.00mm	74.68mm	20.00mm	40.00mm	M8

ITEM#	(BOLT) J	K	L	M	N
655279	1/4-20	1.000"	1.375"	.500"	2.500"
655281	5/16-18	1.500"	1.125"	.750"	3.000"
654281	5/16-18	1.500"	1.125"	.750"	3.000"
664067	M8	40.00mm	28.48mm	19.00mm	80.00mm
655280	1/4-20	1.000"	1.375"	.500"	2.500"
655287	5/16-18	1.500"	1.125"	.750"	3.000"
664068	M8	40.00mm	28.48mm	19.00mm	80.00mm

- Base Plate can be fastened to extrusion end or slot
- Work with Deluxe and Standard Flange Mount Casters

Recommended Fasteners (Extrusion Slot)

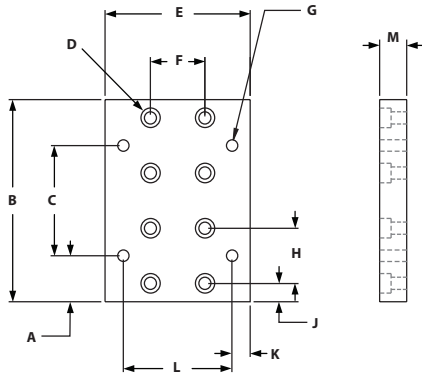
ITEM #	SERIES	BOLT	TNUT	QTY
651234	10	1/4-20 x 1/2" SHCS	Economy	4
651205	15	5/16-18 x 7/8" SHCS	Economy	4
651426	40	M8 x 20mm SHCS	Economy	4

Recommended Fasteners (Extrusion End)

ITEM #	SERIES	BOLT	QTY
651027	10	1/4-20 x 1/2" SHCS	4
651059	15	5/16-18 x 1" SHCS	4
651350	40	M8 x 25mm SHCS	4

Base Plates

Heavy Duty Flange Mount Caster Base Plates



- Mount to side or end of extrusion
- Can be used as a joining plate

Product Information

ITEM#	SERIES	FINISH	A	B	C	D	E	F	(TAP) G	H	J
655137	15	Clear	1.250"	5.500"	3.000"	5/16-18	4.000"	1.500"	3/8-16	1.500"	.500"

K	L	M
.500"	3.000"	.750"

Recommended Fasteners (Extrusion Slot)

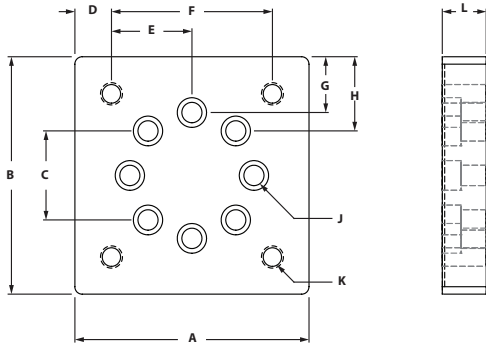
ITEM #	SERIES	BOLT	TNUT	QTY
651205	15	5/16-18 x 7/8" SHCS	Economy	8

Recommended Fasteners (Extrusion End)

ITEM #	SERIES	BOLT	QTY
651059	15	5/16-18 x 1" SHCS	8

Base Plates

Leveling Caster Base Plates



- Base Plate can be fastened to extrusion end or slot
- Work with Deluxe and Standard Flange Mount Casters

Product Information

ITEM#	SERIES	FINISH	A	B	C	D	E	F	G	H	J	(THREAD) K	L
656003	Fractional	Clear	3.000"	3.000"	1.000"	.358"	1.142"	2.284"	.793"	1.000"	5/16-18 SHCS	1/4-20	.500"
659432			3.000"	3.000"	1.500"	.358"	1.142"	2.284"	.440"	.750"	5/16-18 SHCS	1/4-20	.750"
680465			3.500"	3.500"	1.500"	.375"	1.375"	2.750"	.689"	1.000"	5/16-18 SHCS	5/16-18	.750"
655715			4.000"	4.000"	1.500"	.625"	1.375"	2.750"	.940"	1.250"	5/16-18 SHCS	3/8-16	.750"

Recommended Fasteners (Extrusion Slot)

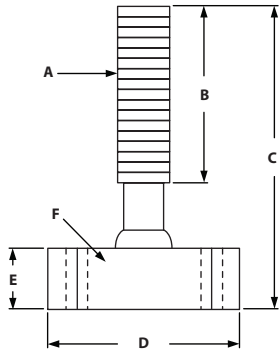
ITEM #	SERIES	BOLT	TNUT	QTY
651234	10	1/4-20 x 1/2" SHCS	Economy	4
651205	15	5/16-18 x 7/8" SHCS	Economy	4

Recommended Fasteners (Extrusion End)

ITEM #	SERIES	BOLT	QTY
651027	10	1/4-20 x 1/2" SHCS	4
651059	15	5/16-18 x 1" SHCS	4

Leveling Feet

Large Base Glides

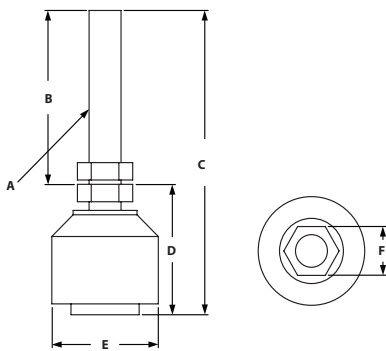


- 3/8-16 can mount directly into 15 series extrusion ends
- Attach to extrusion with base plates
- Ideal for heavy duty frames
- Large Nylon base diameter

Product Information

ITEM#	SERIES	MATERIAL	LOAD CAPACITY	A	B	C	D	E	F
655167	10/15	Rod: Die-Cast Base: Nylon	4000 lbs.	3/8-16	3.000"	4.430"	1.970"	.700"	.256"
655168			4000 lbs.	1/2-13	3.000"	4.430"	1.970"	.700"	.256"
655165			5000 lbs.	3/8-16	3.000"	4.430"	3.150"	.700"	.354"
655166			5000 lbs.	1/2-13	3.000"	4.430"	3.150"	.700"	.354"

Economy Anti-Vibration Mount



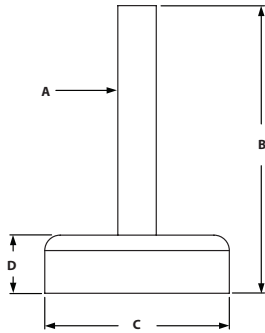
- Reduce vibration transmission
- Level high precision or computerized machinery
- Black rubber vibration pad
- Attach to extrusion with base plates

Product Information

ITEM#	SERIES	MATERIAL	LOAD CAPACITY	A	B	C	D	E	F
655185	10/15	Stainless Steel	100 lbs.	3/8-16	2.000"	3.500"	1.500"	1.250"	.562"
655186			240 lbs.	1/2-13	2.000"	3.750"	1.750"	1.875"	.625"
655187			650 lbs.	3/4-10	2.000"	4.125"	2.125"	3.000"	1.062"

Leveling Feet

Nylon Leveling Feet



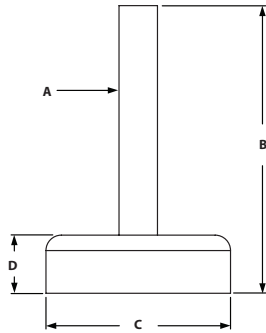
- 3/8-16 can mount directly into 15 & 40 series extrusion ends
- Swiveling level foot for secure positioning on uneven floors
- Ideal for cabinets, workstations, or office furniture
- Attach to extrusion with base plates

Product Information

ITEM#	SERIES	MATERIAL	LOAD CAPACITY	A	B	C	D
655782	10/15	Rod: Die-Cast Base: Nylon	1900 lbs.	1/4-20	1.870"	1.570"	.708"
655789			1900 lbs.	5/16-18	3.210"	2.320"	.708"
655797			1900 lbs.	3/8-16	2.710"	3.110"	.708"
655808			1900 lbs.	1/2-13	3.210"	3.890"	.708"
655783	40		750 lbs.	M8 x 1.25	58.00mm	39.00mm	18.00mm
655790			1000 lbs.	M10 x 1.50	63.00mm	59.00mm	18.00mm
655798			1650 lbs.	M12 x 1.75	84.00mm	79.00mm	18.00mm

Leveling Feet

Die Cast Leveling Feet



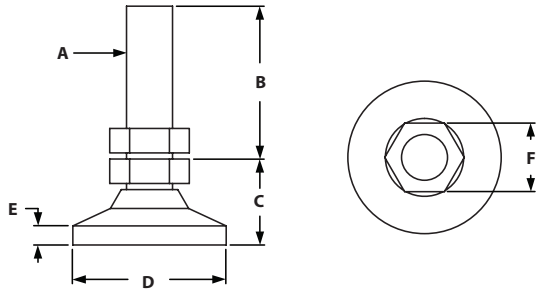
- 3/8-16 can mount directly into 15 & 40 series extrusion ends
- Swiveling level foot for secure positioning on uneven floors
- Ideal for cabinets, workstations, or office furniture
- Attach to extrusion with base plates

Product Information

ITEM#	SERIES	MATERIAL	LOAD CAPACITY	A	B	C	D
655784	10/15	Zinc Die-Cast	460 lbs.	1/4-20	1.870"	1.570"	.708"
655792			770 lbs.	5/16-18	3.210"	2.320"	.708"
655804			1035 lbs.	3/8-16	2.390"	3.110"	.708"
655801			1035 lbs.	1/2-13	3.210"	3.110"	.708"
655812			5300 lbs.	3/4-10	3.710"	3.890"	.708"
655779	40		750 lbs.	M8 x 1.25	58.00mm	29.00mm	18.00mm
655786			1000 lbs.	M10 x 1.50	63.00mm	39.00mm	18.00mm
655794			1650 lbs.	M12 x 1.75	84.00mm	59.00mm	18.00mm
655806			3150 lbs.	M16 x 2.0	84.00mm	59.00mm	18.00mm
655802			1650 lbs.	M12 w/holes	84.00mm	79.00mm	18.00mm
655814		3150 lbs.	M16 w/holes	84.00mm	99.00mm	18.00mm	

Leveling Feet

Deluxe Leveling Feet



- Threads directly into extrusion end or into 10 and 15 series base plates
- Jam nut included
- Pivots 20 degrees to accommodate uneven floors

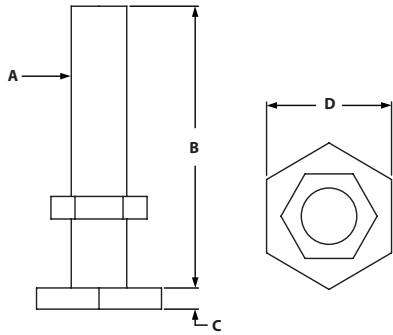


Product Information

ITEM#	SERIES	MATERIAL	LOAD CAPACITY	A	B	C	D	E	F
655175	10/15	Zinc Plated Steel	1000 lbs.	1/4-20	1.000"	.970"	1.000"	.156"	.500"
655634			2300 lbs.	5/16-18	1.780"	1.125"	1.250"	.250"	.630"
655173			3750 lbs.	3/8-16	1.710"	1.200"	1.250"	.188"	.625"
655178			5000 lbs.	1/2-13	1.610"	1.500"	1.875"	.250"	.750"
655180			7400 lbs.	3/4-10	1.560"	1.895"	3.000"	.500"	1.062"
651531	40		650 lbs.	M6 x 1.0	24.00mm	14.00mm	19.00mm	25.00mm	10.00mm
651532			1000 lbs.	M8 x 1.25	31.00mm	18.00mm	26.00mm	32.00mm	13.00mm
651533			3750 lbs.	M10 x 1.50	51.00mm	22.00mm	32.00mm	51.00mm	16.00mm
651534			5000 lbs.	M12 x 1.75	51.00mm	29.00mm	48.00mm	51.00mm	19.00mm
651535			5950 lbs.	M16 x 2.0	51.00mm	32.00mm	64.00mm	51.00mm	22.00mm

Leveling Feet

Economy Leveling Feet



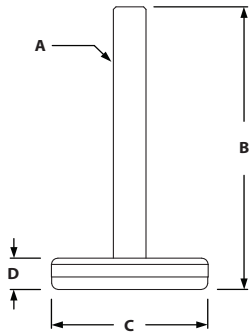
- Threads directly into extrusion end or into 10 and 15 series base plates
- Attach to extrusion with base plates

Product Information

ITEM#	SERIES	MATERIAL	LOAD CAPACITY	A	B	C	D
655176	10/15	Zinc Plated Steel	1050 lbs.	1/4-20	1.250"	.094"	.563"
655177			1750 lbs.	5/16-18	1.500"	.109"	.750"
655174			2550 lbs.	3/8-16	2.000"	.141"	.875"
655179			7400 lbs.	1/2-13	2.500"	.172"	1.063"
651527	40		1000 lbs.	M6 x 1.0	30.00mm	2.40mm	14.00mm
651528			1750 lbs.	M8 x 1.25	40.00mm	3.10mm	18.00mm
651529			2550 lbs.	M10 x 1.50	60.00mm	3.70mm	22.00mm
651530			4600 lbs.	M12 x 1.75	65.00mm	4.40mm	25.00mm

Leveling Feet

Floor Glides



- Threads directly into extrusion end with 10 and 15 series base plates
- Works well on variety of surfaces such as concrete, carpet or tiled areas

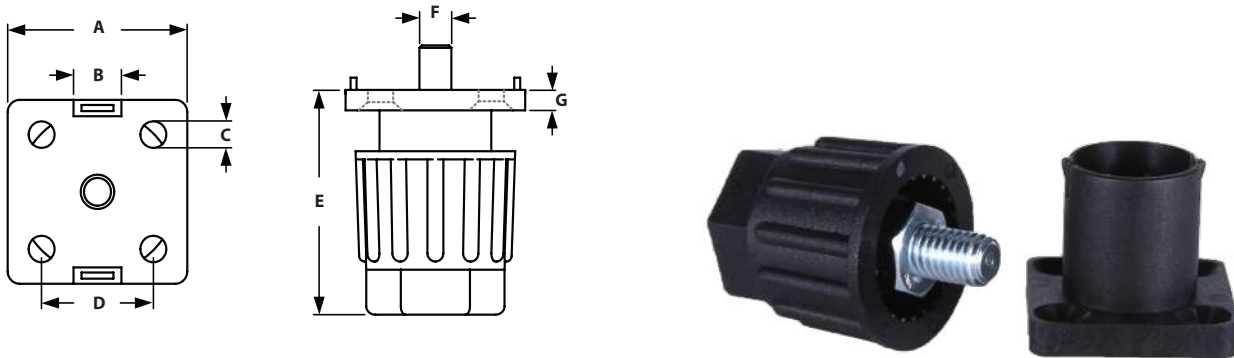


Product Information

ITEM#	SERIES	MATERIAL	LOAD CAPACITY	A	B	C	D
655169	10/15	Nickel Plated Steel	250 lbs.	1/4-20	2.250"	1.200"	.378"
655170			250 lbs.	5/16-18	2.250"	2.030"	.578"
655171			250 lbs.	3/8-16	2.250"	2.400"	.468"
655172			500 lbs.	1/2-13	2.250"	2.800"	.542"

Leveling Feet

Adjustable Leveling Feet



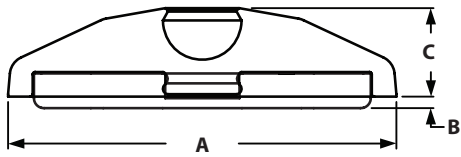
- Easy height adjustable leveling foot fastening to profiles

Product Information

ITEM#	MATERIAL	LOAD CAPACITY	A	B	C	D	E	(THREAD) F	G
671596	Housing: Nylon	300 lbs.	30.00mm	8.00mm	4.30mm	20.50mm	35 - 50mm	M8 x 1.25	5.00mm
671597		332 lbs.	40.00mm	10.00mm	6.50mm	28.00mm	45 - 65mm	M8 x 1.25	5.00mm
671598	Mechanism: Zinc Plated Steel	335 lbs.	45.00mm	10.00mm	6.30mm	28.00mm	45 - 65mm	M8 x 1.25	5.00mm
671599		337 lbs.	50.00mm	10.00mm	6.30mm	28.00mm	45 - 65mm	M8 x 1.25	5.00mm

Leveling Feet

Base for Swivel Feet With Anti-Slip Grip



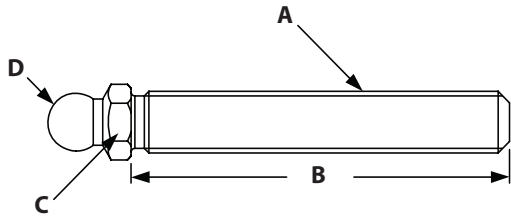
- Swiveling leveling foot for stable positioning on uneven floors
- Connect with threaded rod to connect leveling feet

Product Information

ITEM#	MATERIAL	LOAD CAPACITY	A	B	C
671386	Nylon	500 lbs.	29.00mm	2.00mm	18.00mm
671384	Stainless Steel	2000 lbs.	29.00mm	2.00mm	18.00mm
671392	Nylon	900 lbs.	39.00mm	2.00mm	18.00mm
671390	Stainless Steel	3000 lbs.	39.00mm	2.00mm	18.00mm
671398	Nylon	900 lbs.	44.00mm	2.00mm	18.00mm
671396	Stainless Steel	3000 lbs.	44.00mm	2.00mm	18.00mm
671410	Nylon	900 lbs.	59.00mm	2.00mm	18.00mm
671408	Stainless Steel	3000 lbs.	59.00mm	2.00mm	18.00mm
671425	Nylon	900 lbs.	79.00mm	2.00mm	18.00mm
671418	Stainless Steel	3000 lbs.	79.00mm	2.00mm	18.00mm

Leveling Feet

Threaded Rod for Swivel Feet

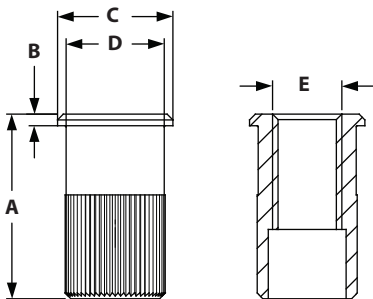


- Threaded Rod for swiveling feet
- Swiveling Range 20°

Product Information

ITEM#	MATERIAL	LOAD CAPACITY	A	B	C	D
671461	Steel	350 lbs.	M8 x 1.25	40.00mm	14.00mm	15.00mm
671475	Steel	770 lbs.	M12 x 1.50	45.00mm	14.00mm	15.00mm
671479	Steel	770 lbs.	M16 x 2.0	100.00mm	14.00mm	15.00mm
671493	Steel	1450 lbs.	M16 x 2.0	66.00mm	17.00mm	15.00mm
671495	Steel	1450 lbs.	M16 x 2.0	100.00mm	17.00mm	15.00mm
671499	Steel	1450 lbs.	M16 x 2.0	150.00mm	17.00mm	15.00mm

M12 Threaded Sleeve



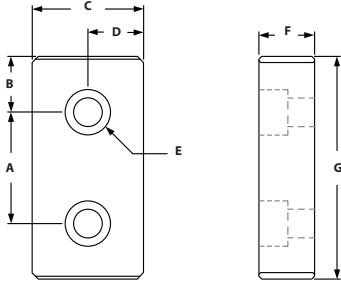
- To fit leveling feet to profiles at right angles
- Ø17mm through hole, machining operation 670521

Product Information

ITEM#	MATERIAL	A	B	C	D	E
671775	Steel	32.00mm	2.00mm	20.00mm	17.00mm	M12

Base Plates

2 Hole Blank Base Plate

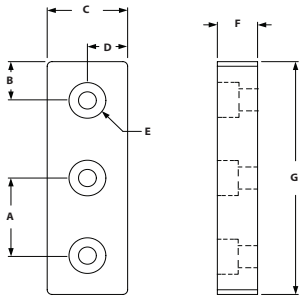


- Mounts leveling feet and threaded casters to extrusion
- Threaded casters require machining
- Bolts to extrusion side or end

Product Information

ITEM#	SERIES	FINISH	A	B	C	D	(BOLT SIZE) E	F	G
655662	10	Clear	1.000"	.500"	1.000"	.500"	1/4 SHCS	.500"	2.000"
655658	15		1.500"	.750"	1.500"	.750"	5/16 SHCS	.750"	3.000"
655657	40		40.00mm	20.00mm	40.00mm	20.00mm	M8 SHCS	19.00mm	80.00mm

3 Hole Blank Base Plate



- Mounts leveling feet and threaded casters to extrusion
- Threaded casters require machining
- Bolts to extrusion side or end

Product Information

ITEM#	SERIES	FINISH	A	B	C	D	(BOLT SIZE) E	F	G
655660	15	Clear	1.500"	.750"	1.500"	.750"	5/16 SHCS	.750"	4.500"

Recommended Fasteners (Extrusion Slot)

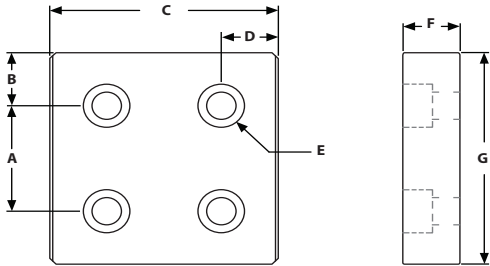
ITEM #	SERIES	BOLT	T-NUT	(HOLE #) QTY
651234	10	1/4-20 x 1/2" SHCS	Economy	2 or 3
651205	15	5/16-18 x 7/8" SHCS	Economy	2 or 3
651426	40	M8 x 20mm SHCS	Economy	2 or 3

Recommended Fasteners (Extrusion End)

ITEM #	SERIES	BOLT	(HOLE #) QTY
651027	10	1/4-20 x 3/4" SHCS	2 or 3
651059	15	5/16-18 x 1" SHCS	2 or 3
651350	40	M8 x 25mm SHCS	2 or 3

Base Plates

4 Hole Blank Base Plate

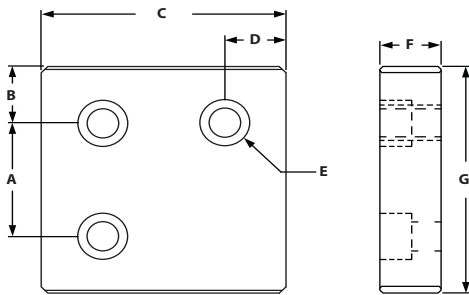


- Mounts leveling feet and threaded casters to extrusion
- Threaded casters require machining
- Bolts to extrusion side or end

Product Information

ITEM#	SERIES	FINISH	A	B	C	D	(BOLT SIZE) E	F	G
655663	10	Clear	1.000"	.500"	2.000"	.500"	1/4 SHCS	.500"	2.000"
655659	15		1.500"	.750"	3.000"	.750"	5/16 SHCS	.750"	3.000"
655661	40		40.00mm	20.00mm	80.00mm	20.00mm	M8 SHCS	19.00mm	80.00mm

3 Hole Corner Blank Base Plate



- Mounts leveling feet and threaded casters to extrusion
- Threaded casters require machining
- Bolts to extrusion side or end

Product Information

ITEM#	SERIES	FINISH	A	B	C	D	(BOLT SIZE) E	F	G
655664	10	Clear	1.000"	.500"	2.000"	.500"	1/4 SHCS	.500"	2.000"
655665	15		1.500"	.750"	3.000"	.750"	5/16 SHCS	.750"	3.000"
656034	40		40.00mm	20.00mm	80.00mm	20.00mm	M8 SHCS	19.05mm	80.00mm

Recommended Fasteners (Extrusion Slot)

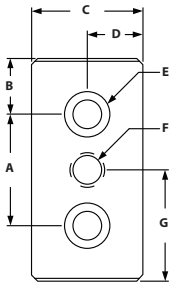
ITEM #	SERIES	BOLT	T-NUT	(HOLE #) QTY
651234	10	1/4-20 x 1/2" SHCS	Economy	3 or 4
651205	15	5/16-18 x 7/8" SHCS	Economy	3 or 4
651426	40	M8 x 20mm SHCS	Economy	3 or 4

Recommended Fasteners (Extrusion End)

ITEM #	SERIES	BOLT	(HOLE #) QTY
651027	10	1/4-20 x 3/4" SHCS	3 or 4
651059	15	5/16-18 x 1" SHCS	3 or 4
651350	40	M8 x 25mm SHCS	3 or 4

Base Plates

3 Hole Center Tap Base Plate



- Mounts leveling feet and threaded casters to extrusion
- Threaded casters require machining
- Bolts to extrusion side or end

Product Information

ITEM#	SERIES	FINISH	A	B	C	D	(BOLT SIZE) E	(THREAD) F	G	H	J
655120	10	Clear	1.000"	.500"	1.000"	.500"	1/4 SHCS	1/4-20	1.000"	.500"	2.000"
659062			1.000"	.500"	1.000"	.500"	1/4 SHCS	5/16-18	1.000"	.500"	2.000"
655121			1.000"	.500"	1.000"	.500"	1/4 SHCS	3/8-16	1.000"	.500"	2.000"
655127			1.000"	.500"	1.000"	.500"	1/4 SHCS	7/16-14	1.000"	.500"	2.000"
655260			1.000"	.500"	1.000"	.500"	1/4 SHCS	1/2-13	1.000"	.500"	2.000"
655122	15		1.500"	.750"	1.500"	.750"	5/16 SHCS	3/8-16	1.500"	.750"	3.000"
655128			1.500"	.750"	1.500"	.750"	5/16 SHCS	7/16-14	1.500"	.750"	3.000"
655126			1.500"	.750"	1.500"	.750"	5/16 SHCS	1/2-13	1.500"	.750"	3.000"
655264			1.500"	.750"	1.500"	.750"	5/16 SHCS	3/4-10	1.500"	.750"	3.000"
664043	40		40.00mm	20.00mm	40.00mm	20.00mm	M8 SHCS	8.00mm	40.00mm	19.00mm	80.00mm
660146		40.00mm	20.00mm	40.00mm	20.00mm	M8 SHCS	10.00mm	40.00mm	19.00mm	80.00mm	
664044		40.00mm	20.00mm	40.00mm	20.00mm	M8 SHCS	12.00mm	40.00mm	19.00mm	80.00mm	
664045		40.00mm	20.00mm	40.00mm	20.00mm	M8 SHCS	16.00mm	40.00mm	19.00mm	80.00mm	
671126	30	Black Die-Cast Zinc	30.00mm	15.00mm	30.00mm	15.00mm	M8 SHCS	M8 x 1.25	30.00mm	12.00mm	60.00mm
671128			30.00mm	15.00mm	30.00mm	15.00mm	M8 SHCS	M10 x 1.50	30.00mm	12.00mm	60.00mm
671130			30.00mm	15.00mm	30.00mm	15.00mm	M8 SHCS	M12 x 1.75	30.00mm	12.00mm	60.00mm
671144	45		45.00mm	22.50mm	45.00mm	22.50mm	M12 SHCS	M10 x 1.50	45.00mm	16.00mm	90.00mm
671146			45.00mm	22.50mm	45.00mm	22.50mm	M12 SHCS	M12 x 1.75	45.00mm	16.00mm	90.00mm
671150			45.00mm	22.50mm	45.00mm	22.50mm	M12 SHCS	M16 x 2	45.00mm	16.00mm	90.00mm
671152			45.00mm	22.50mm	45.00mm	22.50mm	M12 SHCS	M20 x 2.5	45.00mm	16.00mm	90.00mm

Recommended Fasteners (Extrusion Slot)

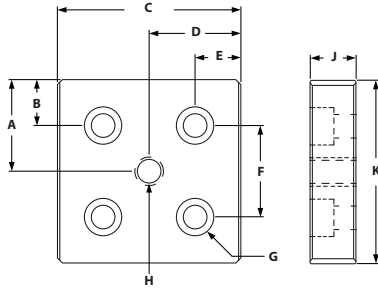
ITEM #	SERIES	BOLT	T-NUT	QTY
651733	10	1/4-20 x 1/2" SHCS	Economy	2
651205	15	5/16-18 x 7/8" SHCS	Economy	2
651426	40	M8 x 20mm SHCS	Economy	2
651759	30	M8 x 12mm SHCS	Self-Align	2
651870	45	M8 x 20mm SHCS	Hammer	2

Recommended Fasteners (Extrusion End)

ITEM #	SERIES	BOLT	QTY
651027	10	1/4-20 x 3/4" SHCS	2
651059	15	5/16-18 x 1" SHCS	2
651350	40	M8 x 25mm SHCS	2
651342	30	M8 x 12mm SHCS	2
683038	45	M12 x 30mm LHCS	2

Base Plates

5 Hole Center Tap Base Plate



- Mounts leveling feet and threaded casters to extrusion
- Threaded casters require machining
- Bolts to extrusion side or end

Product Information

ITEM#	SERIES	FINISH	A	B	C	D	E	F	(BOLT SIZE) G	(THREAD) H	J	K
655123	10	Clear	1.000"	.500"	2.000"	1.000"	.500"	1.000"	1/4 SHCS	3/8-16	.500"	2.000"
655129			1.000"	.500"	2.000"	1.000"	.500"	1.000"	1/4 SHCS	7/16-14	.500"	2.000"
655124			1.000"	.500"	2.000"	1.000"	.500"	1.000"	1/4 SHCS	1/2-13	.500"	2.000"
655261			1.000"	.500"	2.000"	1.000"	.500"	1.000"	1/4 SHCS	3/4-10	.500"	2.000"
655135	15		1.500"	.750"	3.000"	1.500"	.750"	1.500"	5/16 SHCS	7/16-14	.750"	3.000"
655130			1.500"	.750"	3.000"	1.500"	.750"	1.500"	5/16 SHCS	1/2-13	.750"	3.000"
655265			1.500"	.750"	3.000"	1.500"	.750"	1.500"	5/16 SHCS	3/4-10	.750"	3.000"
664046	40		40.00mm	20.00mm	80.00mm	40.00mm	20.00mm	40.00mm	M8 SHCS	8.00mm	19.00mm	80.00mm
664047			40.00mm	20.00mm	80.00mm	40.00mm	20.00mm	40.00mm	M8 SHCS	10.00mm	19.00mm	80.00mm
664048			40.00mm	20.00mm	80.00mm	40.00mm	20.00mm	40.00mm	M8 SHCS	12.00mm	19.00mm	80.00mm
664031			40.00mm	20.00mm	80.00mm	40.00mm	20.00mm	40.00mm	M8 SHCS	16.00mm	19.00mm	80.00mm
671196	45		45.00mm	22.50mm	90.00mm	45.00mm	22.50mm	45.00mm	M12 SHCS	M10 x 1.50	16.00mm	90.00mm
671198		45.00mm	22.50mm	90.00mm	45.00mm	22.50mm	45.00mm	M12 SHCS	M12 x 1.75	16.00mm	90.00mm	
671200		45.00mm	22.50mm	90.00mm	45.00mm	22.50mm	45.00mm	M12 SHCS	M14 x 2	16.00mm	90.00mm	
671202		45.00mm	22.50mm	90.00mm	45.00mm	22.50mm	45.00mm	M12 SHCS	M16 x 2	16.00mm	90.00mm	
671204		45.00mm	22.50mm	90.00mm	45.00mm	22.50mm	45.00mm	M12 SHCS	M20 x 2.5	16.00mm	90.00mm	

Recommended Fasteners (Extrusion Slot)

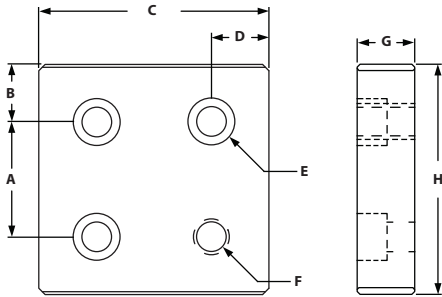
ITEM #	SERIES	BOLT	T-NUT	QTY
651234	10	1/4-20 x 1/2" SHCS	Economy	4
651205	15	5/16-18 x 7/8" SHCS	Economy	4
651426	40	M8 x 20mm SHCS	Economy	4
651870	45	M8 x 20mm SHCS	Hammer	4

Recommended Fasteners (Extrusion End)

ITEM #	SERIES	BOLT	QTY
651027	10	1/4-20 x 3/4" SHCS	4
651059	15	5/16-18 x 1" SHCS	4
651350	40	M8 x 25mm SHCS	4
683038	45	M12 x 30mm LHCS	4

Base Plates

4 Hole Corner Tap Base Plate



- Mounts leveling feet and threaded casters to extrusion
- Threaded casters require machining
- Bolts to extrusion side or end

Product Information

ITEM#	SERIES	FINISH	A	B	C	D	(BOLT SIZE)	(THREAD)	G	H
							E	F		
655132	10	Clear	1.000"	.500"	2.000"	.500"	1/4 SHCS	3/8-16	.500"	2.000"
655133			1.000"	.500"	2.000"	.500"	1/4 SHCS	7/16-14	.500"	2.000"
655262			1.000"	.500"	2.000"	.500"	1/4 SHCS	1/2-13	.500"	2.000"
655263			1.000"	.500"	2.000"	.500"	1/4 SHCS	3/4-10	.500"	2.000"
655136	15		1.500"	.750"	3.000"	.750"	5/16 SHCS	7/16-14	.750"	3.000"
655131			1.500"	.750"	3.000"	.750"	5/16 SHCS	1/2-13	.750"	3.000"
655266			1.500"	.750"	3.000"	.750"	5/16 SHCS	3/4-10	.750"	3.000"
656035	40			40.00mm	20.00mm	80.00mm	20.00mm	M8 SHCS	M12	19.05mm

Recommended Fasteners (Extrusion Slot)

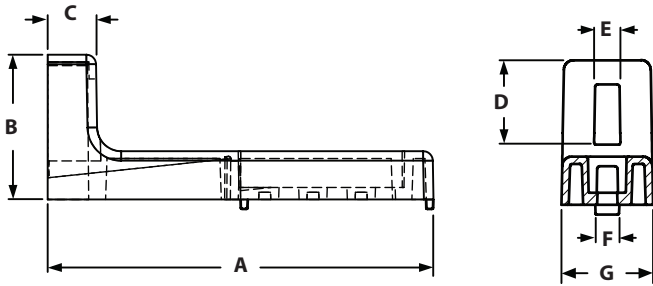
ITEM #	SERIES	BOLT	T-NUT	QTY
651234	10	1/4-20 x 1/2" SHCS	Economy	3
651205	15	5/16-18 x 7/8" SHCS	Economy	3
651426	40	M8 x 20mm SHCS	Economy	3

Recommended Fasteners (Extrusion End)

ITEM #	SERIES	BOLT	QTY
651027	10	1/4-20 x 3/4" SHCS	3
651059	15	5/16-18 x 1" SHCS	3
651350	40	M8 x 25mm SHCS	3

Floor Brackets

Adjustable Floor Brackets



- Connects extrusion to floor vertically
- Adjustable height of project with adjustment screw and plate



Product Information

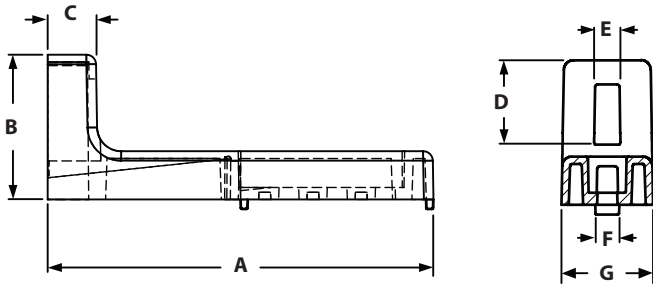
ITEM#	SERIES	FINISH	LIFTING HEIGHT	A	B	C	D	E	F	G
655766	15 40	Die-Cast Black Zinc	2.830" 72.00mm	6.300" 160.00mm	2.362" 60.00mm	.787" 20.00mm	1.378" 35.00mm	.394" 10.00mm	.315" 8.00mm	1.496" 38.00mm
671096	30		52.00mm	120.00mm	45.00mm	15.00mm	15.00mm	8.00mm	10.00mm	19.00mm
671100	45		72.00mm	160.00mm	60.00mm	20.00mm	20.00mm	10.00mm	10.00mm	25.00mm

Recommended Fasteners (Extrusion Slot)

ITEM #	SERIES	BOLT	T-NUT	QTY
651201	15	5/16-18 x 5/8" SHCS	Economy	2
651780	40	M8 x 16mm SHCS	Economy	2
651761	30	M6 x 10mm SHCS	Hammer Nut	2
651743	45	M8 x 16mm SHCS	Hammer Nut	2

Floor Brackets

Standard Floor Brackets



- Connects extrusion to floor vertically

Product Information

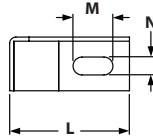
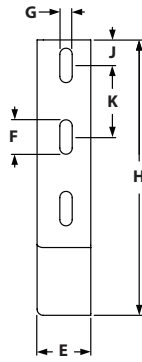
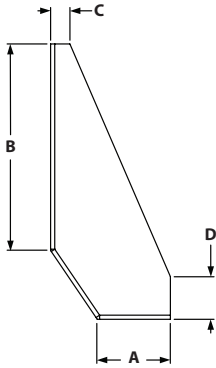
ITEM#	SERIES	FINISH	A	B	C	D	E	F	G
671095	30	Die-Cast Black Zinc	120.00mm	45.00mm	15.00mm	15.00mm	8.00mm	10.00mm	19.00mm
671099	45		160.00mm	60.00mm	20.00mm	20.00mm	10.00mm	10.00mm	25.00mm

Recommended Fasteners (Extrusion Slot)

ITEM #	SERIES	BOLT	T-NUT	QTY
651761	30	M6 x 10mm SHCS	Hammer Nut	2
651743	45	M8 x 16mm SHCS	Hammer Nut	2

Floor Brackets

Steel Floor Bracket



Product Information

ITEM#	SERIES	FINISH	A	B	C	D	E	F	G
671101	30/45	Zinc Plated Steel	53.00mm	150.00mm	14.00mm	31.00mm	42.00mm	25.00mm	9.00mm

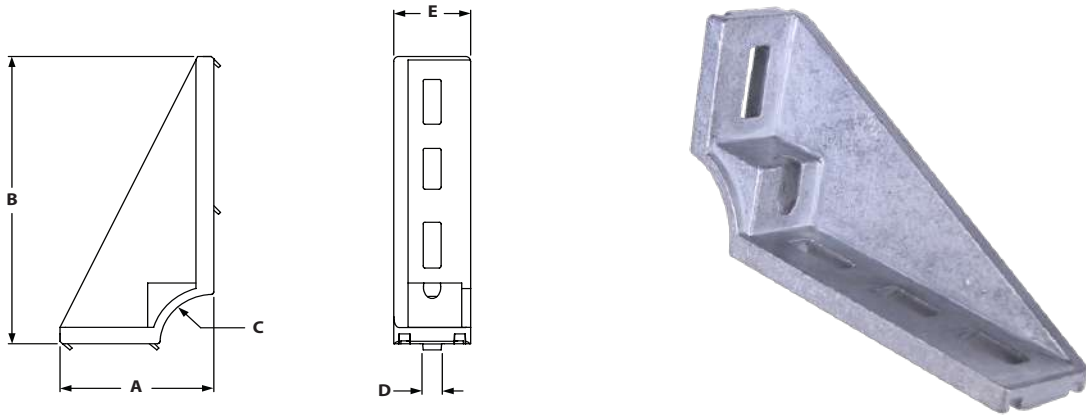
ITEM#	H	J	K	L	M	N
671101	200.00mm	18.50mm	52.00mm	87.00mm	29.00mm	13.00mm

Recommended Fasteners (Extrusion Slot)

ITEM #	SERIES	BOLT	T-NUT	QTY
651744	30	M6 x 14mm SHCS	Hammer Nut	3
651743	45	M8 x 16mm SHCS	Hammer Nut	3

Floor Brackets

Aluminum Floor Brackets



Product Information

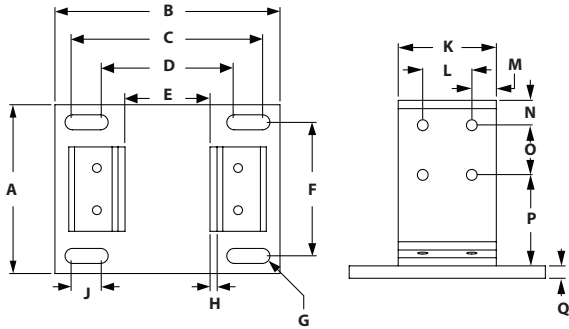
ITEM#	SERIES	FINISH	A	B	C	D	E
671208	45	Die-Cast Aluminum	86.00mm	175.00mm	30°	10.00mm	43.00mm

Recommended Fasteners (Extrusion Slot)

ITEM #	SERIES	BOLT	T-NUT	QTY
651705	45	M8 x 20mm SHCS	Self-Align	2

Floor Mounts

Base Plates - Floor Mounts



Product Information

ITEM#	SERIES	FINISH	TYPE	A	B	C	D	E	F	G
655267	10	Anodized Aluminum	1010	4.000"	5.500"	4.250"	2.250"	1.000"	2.750"	.203"
655268			1020	5.500"	5.500"	4.250"	2.250"	1.000"	4.250"	.203"
655269			2020	5.500"	6.500"	5.250"	3.250"	2.000"	4.250"	.203"
655270	15		1515	5.000"	6.000"	4.750"	2.750"	1.500"	3.750"	.265"
655271			1530	6.000"	6.500"	5.250"	3.250"	1.500"	4.750"	.265"
655274			3030	6.000"	8.000"	6.750"	4.750"	3.000"	4.750"	.265"

ITEM#	SERIES	H	J	K	L	M	N	O	P	Q
655267	10	.250"	1.000"	1.000"	--	.500"	.750"	1.500"	2.750"	.250"
655268		.250"	1.000"	2.000"	1.000"	.500"	.750"	1.500"	2.750"	.250"
655269		.250"	1.000"	2.000"	1.000"	.500"	.750"	1.500"	2.750"	.250"
655270	15	.250"	1.000"	1.500"	--	.750"	.750"	1.500"	2.750"	.375"
655271		.250"	1.000"	3.000"	1.500"	.750"	.750"	1.500"	2.750"	.375"
655274		.250"	1.000"	3.000"	1.500"	.750"	.750"	1.500"	2.750"	.375"

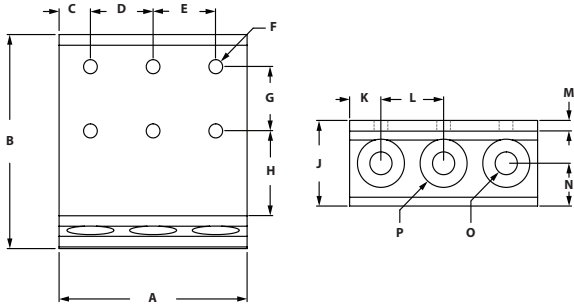
Recommended Fasteners (Extrusion Slot)

ITEM #	SERIES	BOLT	T-NUT	QTY
651130	10	1/4-20 x 1/2" BHSCS	Economy	4 to 8
651129	15	5/16-18 x 11/16 FBHSCS	Economy	4 to 8

- Very strong method of mounting frame to the floor
- Bolts directly in slot of profile
- Allows for vertical adjustments
- Slotted base plates allows for lateral adjustments

Floor Mounts

Economy Base Feet - Floor Mounts



Product Information

ITEM#	SERIES	FINISH	TYPE	A	B	C	D	E	F	G
655275	10	Clear	1010	1.000"	5.000"	.500"	--	--	.257"	1.500"
654275		Black	1010	1.000"	5.000"	.500"	--	--	.257"	1.500"
655277		Clear	1020	2.000"	5.000"	.500"	1.000"	--	.257"	1.500"
655272		Clear	1030	3.000"	5.000"	.500"	1.000"	1.000"	.257"	1.500"
655276	15	Clear	1515	1.500"	5.000"	.750"	--	--	.328"	1.500"
654276		Black	1515	1.500"	5.000"	.750"	--	--	.328"	1.500"
655278		Clear	1530	3.000"	5.000"	.750"	1.500"	--	.328"	1.500"
654278		Black	1530	3.000"	5.000"	.750"	1.500"	--	.328"	1.500"
655273		Clear	1545	4.500"	5.000"	.750"	1.500"	1.500"	.328"	1.500"

ITEM#	SERIES	FINISH	H	J	K	L	M	N	O	P
655275	10	Clear	2.750"	2.000"	.500"	N/A	.250"	.688"	.390"	.875"
654275		Black	2.750"	2.000"	.500"	N/A	.250"	.688"	.390"	.875"
655277		Clear	2.750"	2.000"	.500"	1.000"	.250"	.688"	.390"	.875"
655272		Clear	2.750"	2.000"	.500"	1.000"	.250"	.688"	.390"	.875"
655276	15	Clear	2.750"	2.000"	.750"	N/A	.250"	.688"	.531"	1.125"
654276		Black	2.750"	2.000"	.750"	N/A	.250"	.688"	.531"	1.125"
655278		Clear	2.750"	2.000"	.750"	1.500"	.250"	.688"	.531"	1.125"
654278		Black	2.750"	2.000"	.750"	1.500"	.250"	.688"	.531"	1.125"
655273		Clear	2.750"	2.000"	.750"	1.500"	.250"	.688"	.531"	1.125"

Floor Mounts

Economy Base Feet - Floor Mounts (Continued)

Product Information

ITEM#	SERIES	FINISH	TYPE	A	B	C	D	E	F	G
655276	40	Clear	4040	40.00mm	127.00mm	20.00mm	--	--	8.33mm	38.10mm
664016		Clear	4080	80.00mm	127.00mm	20.00mm	40.00mm	--	8.33mm	40.00mm
671716	30	Clear	3030B	27.00mm	140.00mm	13.50mm	--	--	7.00mm	40.00mm
671704		Clear	3060B	57.00mm	140.00mm	13.50mm	30.00mm	--	7.00mm	40.00mm
671717	45	Clear	4545B	41.00mm	140.00mm	20.50mm	--	--	9.00mm	40.00mm
671705		Clear	4590B	86.00mm	140.00mm	20.50mm	45.00mm	--	9.00mm	40.00mm

ITEM#	SERIES	FINISH	H	J	K	L	M	N	O	P
655276	40	Clear	80.00mm	50.80mm	20.00mm	--	6.30mm	17.50mm	13.49mm	28.58mm
664016		Clear	80.00mm	50.80mm	20.00mm	40.00mm	6.30mm	17.50mm	13.49mm	28.58mm
671716	30	Clear	80.00mm	56.00mm	13.50mm	--	6.00mm	20.00mm	11.00mm	22.00mm
671704		Clear	80.00mm	56.00mm	13.50mm	30.00mm	6.00mm	20.00mm	11.00mm	22.00mm
671717	45	Clear	80.00mm	56.00mm	20.50mm	--	6.00mm	20.00mm	13.50mm	28.00mm
671705		Clear	80.00mm	56.00mm	20.50mm	45.00mm	6.00mm	20.00mm	13.50mm	28.00mm

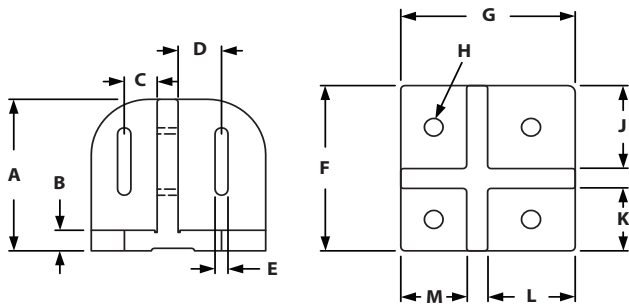
Recommended Fasteners (Extrusion Slot)

ITEM #	SERIES	BOLT	T-NUT	QTY		
				SINGLE	DOUBLE	TRIPLE
651130	10	1/4-20 x 1/2" BHSCS	Economy	2	4	6
651129	15	5/16-18 x 11/16 FBHSCS	Economy	2	4	6
651506	40	M8 x 16mm BHSCS	Economy	2	4	--
651762	30	M6 x 16mm SHCS	Hammer Nut	2	4	--
651743	45	M8 x 16mm SHCS	Hammer Nut	2	4	--

- Strong economy base plates
- Bolts directly to extrusion slot
- Allows for vertical adjustments
- More economical than standard Floor Mount Base Plate

Floor Mounts

120mm Footplate



- Flush mounting of supports
- Mounts extrusions as posts

Product Information

ITEM#	SERIES	FINISH	A	B	C	D	E	F	G	H
671637	45	Die-Cast Aluminum	110.00mm	15.00mm	22.50mm	30.00mm	9.00mm	120.00mm	120.00mm	13.00mm

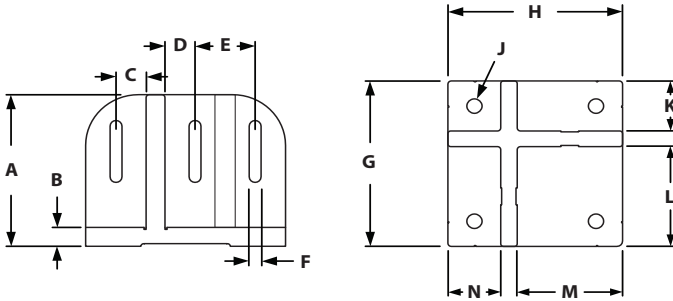
J	K	L	M
60.00mm	45.00mm	60.00mm	45.00mm

Recommended Fasteners (Extrusion Slot)

ITEM #	SERIES	BOLT	T-NUT	QTY
651766	45	M8 x 30mm Hammer Head	Flanged T-nut	2-4

Floor Mounts

150mm Footplate



- Flush mounting of supports
- Mounts extrusions as posts

Product Information

ITEM#	SERIES	FINISH	A	B	C	D	E	F	G	H
671638	45	Die-Cast Aluminum	120.00mm	15.00mm	25.00mm	30.00mm	45.00mm	9.00mm	150.00mm	150.00mm

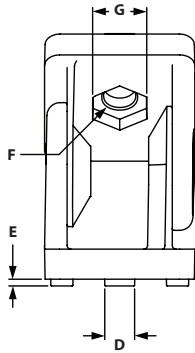
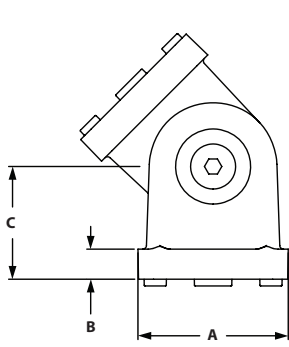
J	K	L	M	N
13.00mm	45.00mm	90.00mm	90.00mm	45.00mm

Recommended Fasteners (Extrusion Slot)

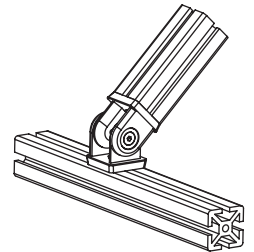
ITEM #	SERIES	BOLT	T-NUT	QTY
651766	45	M8 x 30mm Hammer Head	Flanged T-nut	2-4

Pivot Joints

Standard Pivot Joint



- Bushing enables pivot to be both structural and dynamic
- Locating pins can be removed to accommodate extrusion end or slot assembly



Product Information

ITEM#	SERIES	FINISH	A	B	C	D	E	F	G
664084	10	Die-Cast Zinc	1.102"	.275"	.886"	.236"	.079"	.260"	--
664086	15		1.574"	.315"	1.181"	.315"	.079"	.335"	.551"
664088	40 / 40		40.00mm	8.00mm	30.00mm	8.00mm	1.80mm	8.50mm	14.00mm
671102	30		30.00mm	7.00mm	22.50mm	8.00mm	2.50mm	8.30mm	--
671106	45		45.00mm	8.00mm	30.00mm	10.00mm	1.80mm	8.50mm	14.00mm

Recommended Fasteners (Extrusion Slot)

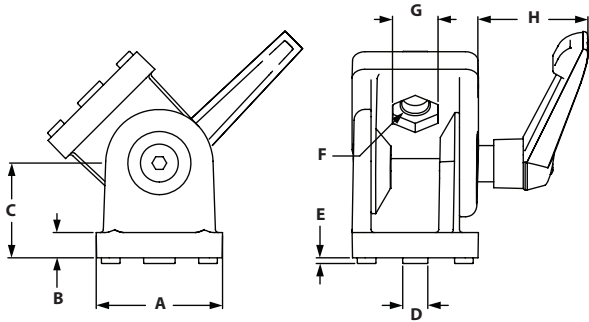
ITEM #	SERIES	BOLT	T-NUT	QTY
651234	10	1/4-20 x 1/2" SHCS	Economy	2
651201	15	5/16-18 x 5/8" SHCS	Economy	2
651512	40	M8 x 16mm SHCS	Economy	2
651763	30	M8 x 14mm SHCS	Self-Align	2
651764	40 / 45	M8 x 16mm SHCS	Self-Align	2

Recommended Fasteners (Extrusion End)

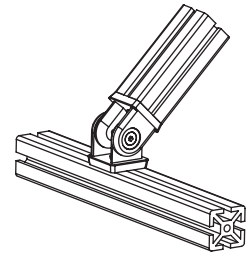
ITEM #	SERIES	BOLT	QTY
651027	10	1/4-20 x 3/4" SHCS	2
651052	15	5/16-18 x 3/4" SHCS	2
651346	40	M8 x 20mm SHCS	2
651350	30	M8 x 25mm SHCS	2
651765	40 / 45	M8 x 30mm SHCS	2

Pivot Joints

Standard Pivot Joint w/Locking Handle



- Bushing enables pivot to be both structural and dynamic
- Locating pins can be removed to accommodate extrusion end or slot assembly



Product Information

ITEM#	SERIES	FINISH	A	B	C	D	E	F	G	H
664085	10	Die-Cast Zinc	1.102"	.275"	.886"	.236"	.079"	.260"	--	1.181"
664087	15		1.574"	.315"	1.181"	.315"	.079"	.335"	--	1.614"
664089	40 / 40		40.00mm	8.00mm	30.00mm	8.00mm	1.80mm	8.50mm	14.00mm	41.00mm
671107	30		30.00mm	7.00mm	22.50mm	8.00mm	2.50mm	8.30mm	--	30.00mm
671111	45		45.00mm	8.00mm	30.00mm	10.00mm	1.80mm	8.50mm	14.00mm	38.00mm

Recommended Fasteners (Extrusion Slot)

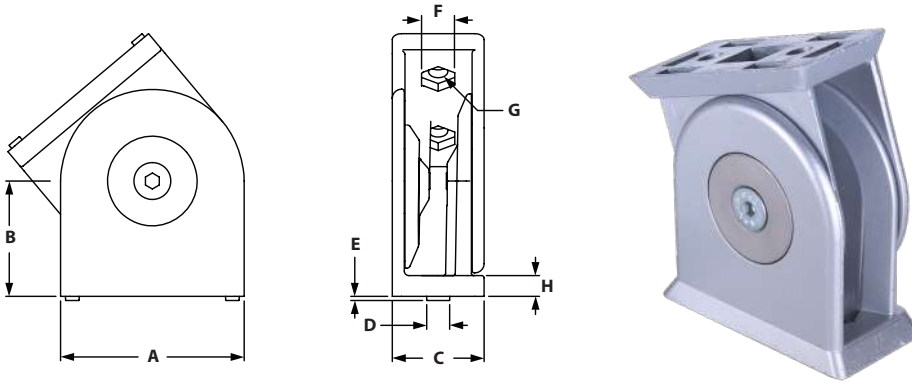
ITEM #	SERIES	BOLT	T-NUT	QTY
651234	10	1/4-20 x 1/2" SHCS	Economy	2
651201	15	5/16-18 x 5/8" SHCS	Economy	2
651512	40	M8 x 16mm SHCS	Economy	2
651763	30	M8 x 14mm SHCS	Self-Align	2
651764	40 / 45	M8 x 16mm SHCS	Self-Align	2

Recommended Fasteners (Extrusion End)

ITEM #	SERIES	BOLT	QTY
651027	10	1/4-20 x 3/4" SHCS	2
651052	15	5/16-18 x 3/4" SHCS	2
651346	40	M8 x 20mm SHCS	2
651350	30	M8 x 25mm SHCS	2
651765	40 / 45	M8 x 30mm SHCS	2

Pivot Joints

Double Pivot Joint



- Bushing enables pivot to be both structural and dynamic
- Locating pins can be removed to accommodate extrusion end or slot assembly

Product Information

ITEM#	SERIES	FINISH	A	B	C	D	E	F	G	H
671103	40 / 40	Die-Cast	80.00mm	50.00mm	40.00mm	8.00mm	2.80mm	14.00mm	8.40mm	9.00mm
671105	45	Zinc	90.00mm	50.00mm	45.00mm	10.00mm	2.00mm	14.00mm	8.40mm	9.00mm

Recommended Fasteners (Extrusion Slot)

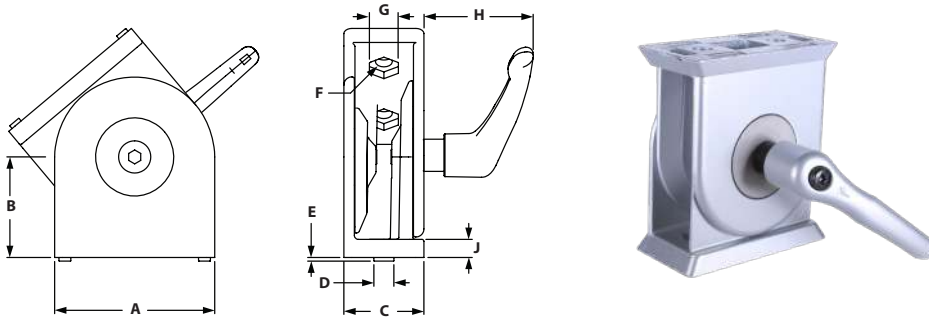
ITEM #	SERIES	BOLT	T-NUT	QTY
651512	40	M8 x 16mm SHCS	Economy	4
651764	40 / 45	M8 x 16mm SHCS	Self-Align	4

Recommended Fasteners (Extrusion End)

ITEM #	SERIES	BOLT	QTY
651346	40	M8 x 20mm SHCS	4
651765	40 / 45	M8 x 30mm SHCS	4

Pivot Joints

Double Pivot Joint w/Locking Handle



- Bushing enables pivot to be both structural and dynamic
- Locating pins can be removed to accommodate extrusion end or slot assembly

Product Information

ITEM#	SERIES	FINISH	A	B	C	D	E	F	G	H	J
671108	40 / 40	Die-Cast	80.00mm	50.00mm	40.00mm	8.00mm	2.80mm	8.40mm	14.00mm	54.00mm	9.00mm
664089	45	Zinc	90.00mm	50.00mm	45.00mm	10.00mm	10.00mm	8.40mm	14.00mm	51.30mm	9.00mm

Recommended Fasteners (Extrusion Slot)

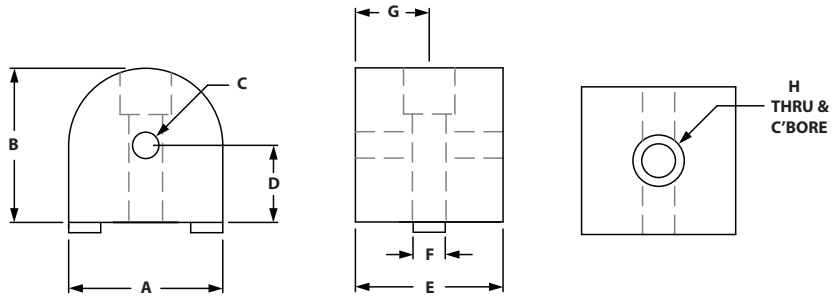
ITEM #	SERIES	BOLT	T-NUT	QTY
651512	40	M8 x 16mm SHCS	Economy	4
651764	40 / 45	M8 x 16mm SHCS	Self-Align	4

Recommended Fasteners (Extrusion End)

ITEM #	SERIES	BOLT	QTY
651346	40	M8 x 20mm SHCS	4
651765	40 / 45	M8 x 30mm SHCS	4

Dynamic Hinge Hardware

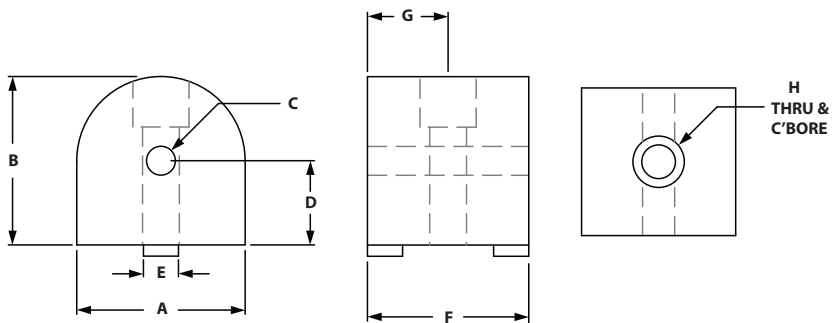
0° Living Nub



Product Information

ITEM#	SERIES	FINISH	A	B	(TAP) C	D	E	F	G	H
653111	10	Clear	1.000"	1.000"	1/4-20 x .50"	.500"	.937"	.250"	.468"	1/4-20
653208	15		1.500"	1.500"	5/16-18 x .75"	.750"	1.437"	.312"	.719"	5/16-18

90° Living Nub



Product Information

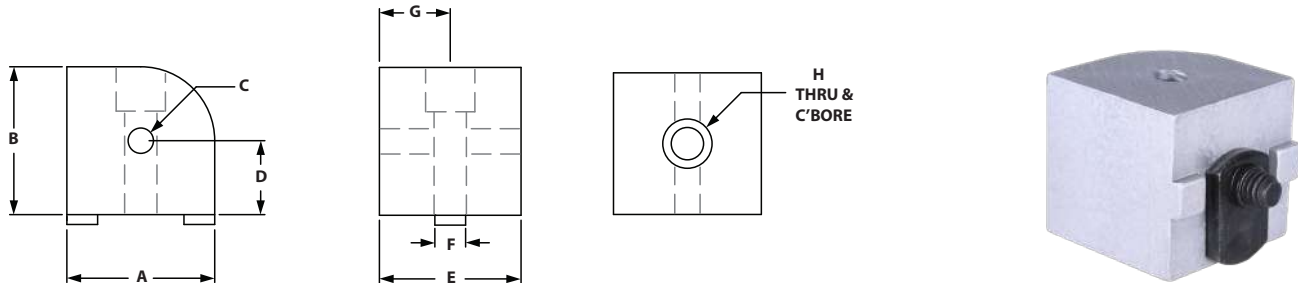
ITEM#	SERIES	FINISH	A	B	(TAP) C	D	E	F	G	H
653113	10	Clear	1.000"	1.000"	1/4-20 x .50"	.500"	.250"	.937"	.468"	1/4-20
653210	15		1.500"	1.500"	5/16-18 x .75"	.750"	.312"	1.437"	.719"	5/16-18

Recommended Fasteners (Extrusion Slot)

ITEM #	SERIES	BOLT	T-NUT	QTY
651119	10	1/4-20 x 1" SHCS	Economy	1
651487	15	5/16-18 x 1-1/2" SHCS	Economy	1

Dynamic Hinge Hardware

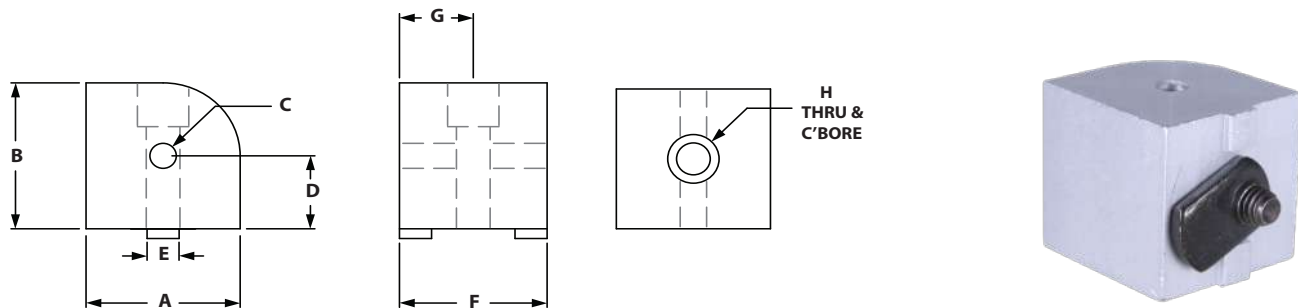
0° Right Angle Living Nub



Product Information

ITEM#	SERIES	FINISH	A	B	(TAP) C	D	E	F	G	H
653022	10	Clear	1.000"	1.000"	1/4-20 x .50"	.500"	.937"	.250"	.468"	1/4-20
653245	15		1.500"	1.500"	5/16-18 x .75"	.750"	1.437"	.312"	.718"	5/16-18

90° Right Angle Living Nub



Product Information

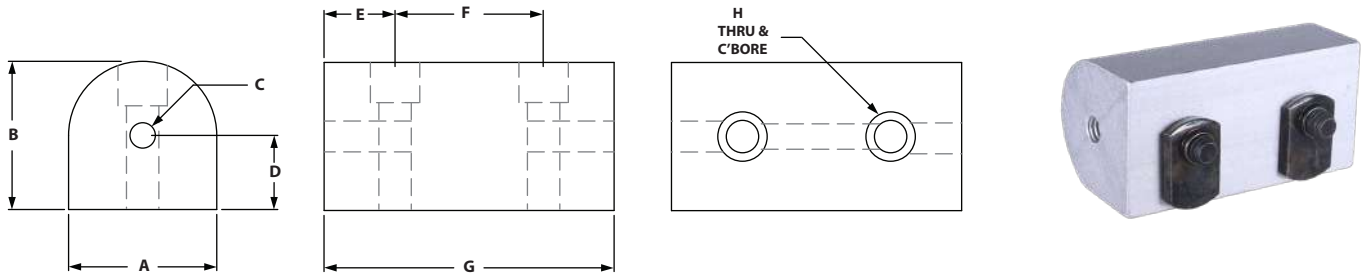
ITEM#	SERIES	FINISH	A	B	(TAP) C	D	E	F	G	H
653023	10	Clear	1.000"	1.000"	1/4-20 x .50"	.500"	.250"	.937"	.468"	1/4-20
653246	15		1.500"	1.500"	5/16-18 x .75"	.750"	.312"	1.437"	.718"	5/16-18

Recommended Fasteners (Extrusion Slot)

ITEM #	SERIES	BOLT	T-NUT	QTY
651119	10	1/4-20 x 1" SHCS	Economy	1
651487	15	5/16-18 x 1-1/2" SHCS	Economy	1

Dynamic Hinge Hardware

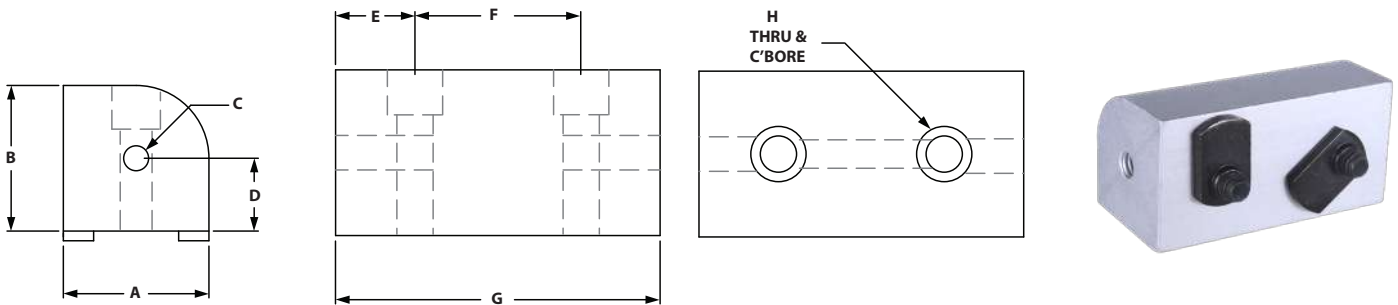
Universal Living Nub



Product Information

ITEM#	SERIES	FINISH	A	B	(TAP) C	D	E	F	G	H
653108	10	Clear	1.000"	1.000"	1/4-20 x .50"	.500"	.468"	1.000"	1.937"	1/4-20
653205	15		1.500"	1.500"	5/16-18 x .75"	.750"	.719"	1.500"	2.937"	5/16-18

Universal Right Angle Living Nub



Product Information

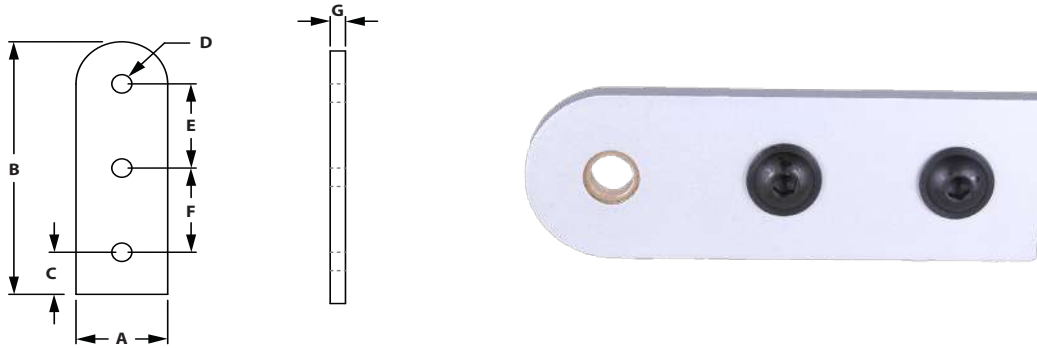
ITEM#	SERIES	FINISH	A	B	(TAP) C	D	E	F	G	H
653024	10	Clear	1.000"	1.000"	1/4-20 x .50"	.500"	.468"	1.000"	1.937"	1/4-20
653247	15		1.500"	1.500"	5/16-18 x .75"	.750"	.719"	1.500"	2.937"	5/16-18

Recommended Fasteners (Extrusion Slot)

ITEM #	SERIES	BOLT	T-NUT	QTY
651119	10	1/4-20 x 1" SHCS	Economy	2
651487	15	5/16-18 x 1-1/2" SHCS	Economy	2

Dynamic Hinge Hardware

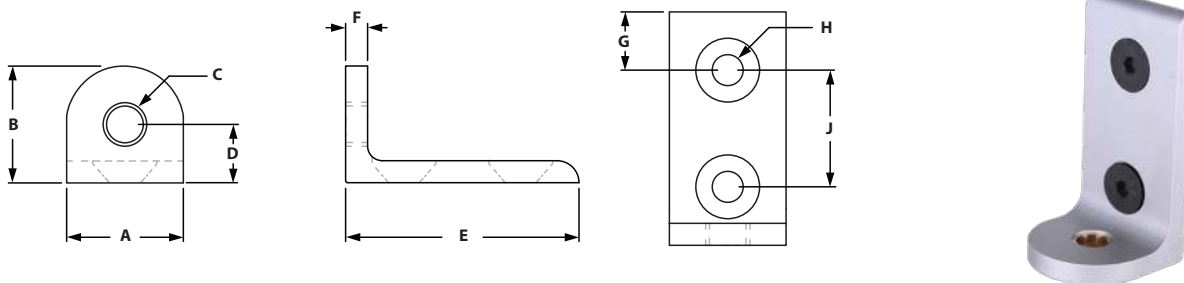
Straight Pivot Arm



Product Information

ITEM#	SERIES	FINISH	A	B	C	D	E	F	G
653114	10	Clear	1.000"	3.000"	.500"	.312"	1.000"	1.000"	.188"
653211	15		1.500"	1.500"	.750"	.375"	1.500"	1.500"	.250"

L Pivot Arm



Product Information

ITEM#	SERIES	FINISH	A	B	C	D	E	F	G	H	J
653105	10	Clear	1.000"	1.000"	.312"	.500"	2.000"	.188"	.500"	.257"	1.000"
653176	15		1.500"	1.500"	.375"	.750"	3.000"	.250"	.750"	.328"	1.500"

Recommended Fasteners (Straight Arm)

ITEM #	SERIES	BOLT	T-NUT	QTY
651142	10	1/4-20 x 1/2" FBHSCS	DBL Economy	1
651141	15	5/16-18 x 11/16" FBHSCS	DBL Economy	1

Recommended Fasteners (L Arm)




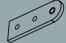

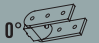


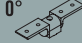
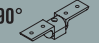
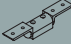



ITEM #	SERIES	BOLT	T-NUT	QTY
651185	10	1/4-20 x 1/2" FHSCS	Economy	2
651183	15	5/16-18 x 5/8" FHSCS	Economy	2

Dynamic Hinge Assemblies

Our dynamic hinges are made of a 6000 series aluminum alloy. Our dynamic hinges come with pre-lubricated bronze pivot bearings and hardened stripper bolts. The dynamic hinges are designed to give your design a 0 to 180 degrees of axial motion.




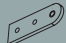

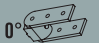


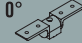
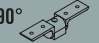




10 Series Dynamic Hinges

INDIVIDUAL PART NUMBERS

	 653111	 653113	 653108	 653114	 653105
 653110	1			2	
 653112		1		2	
 653109			1	2	
 653101	1				2
 653102		1			2
 653104			1		2
 653095	1			1	1
 653096		1		1	1
 653097			1	1	1

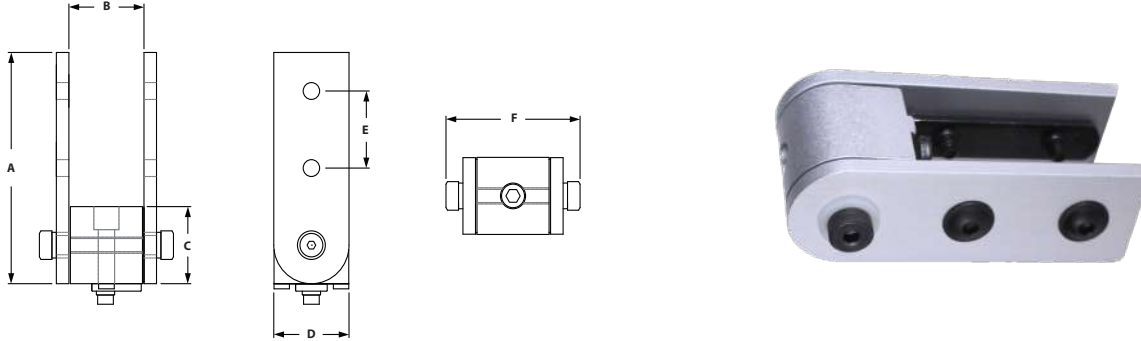
15 Series Dynamic Hinges

INDIVIDUAL PART NUMBERS

	 653208	 653210	 653205	 653211	 653176
 653110	1			2	
 653112		1		2	
 653109			1	2	
 653101	1				2
 653102		1			2
 653104			1		2
 653095	1			1	1
 653096		1		1	1
 653097			1	1	1

Dynamic Hinge Assemblies

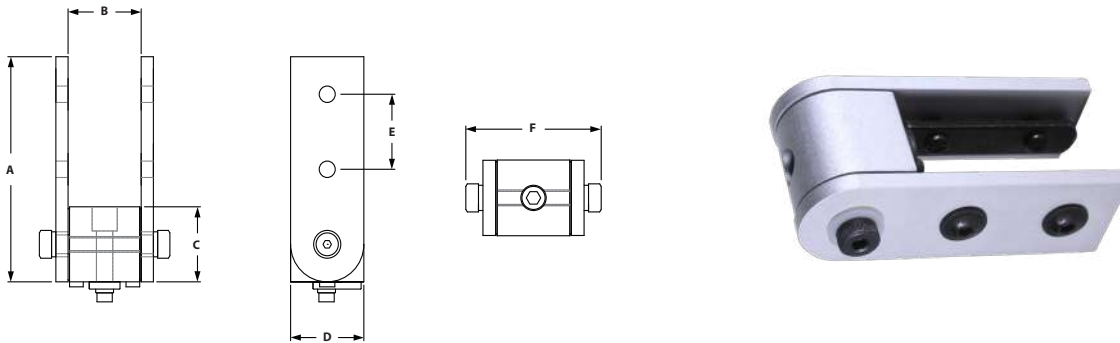
0° Living Hinge



Product Information

ITEM#	SERIES	FINISH	NUB (QTY)	ARM (QTY)	A	B	C	D	E	F
653110	10	Clear	653111 (1)	653114 (2)	3.000"	1.000"	1.000"	1.000"	1.000"	1.863"
653207	15		653208 (1)	653211 (2)	4.500"	1.500"	1.500"	1.500"	1.500"	2.673"

90° Living Hinge



Product Information

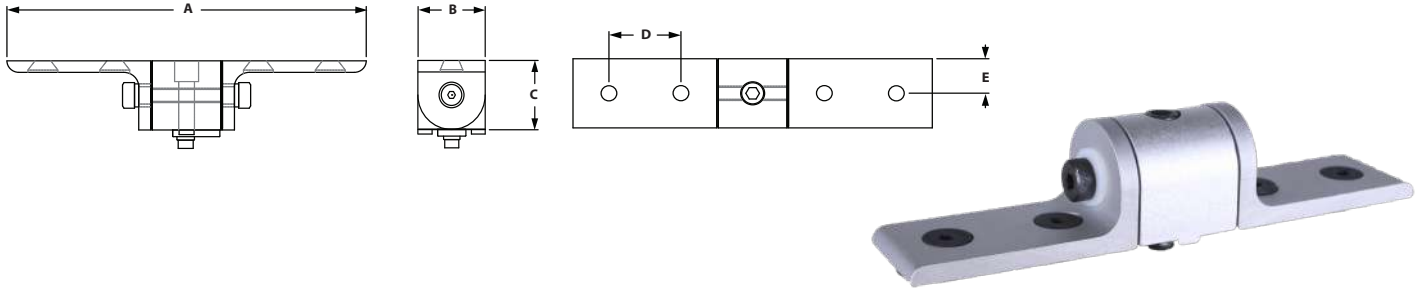
ITEM#	SERIES	FINISH	NUB (QTY)	ARM (QTY)	A	B	C	D	E	F
653112	10	Clear	653113 (1)	653114 (2)	3.000"	1.000"	1.000"	1.000"	1.000"	1.863"
653209	15		653210 (1)	653211 (2)	4.500"	1.500"	1.500"	1.500"	1.500"	2.673"

Included Fasteners (0° and 90°)

SERIES	NUB TO EXTRUSION (QTY)	ARMS TO NUB (QTY)	ARMS TO EXTRUSION (QTY)
10	651119 (1)	651244 (1)	651142 (2)
15	651487 (1)	651243 (1)	651141 (2)

Dynamic Hinge Assemblies

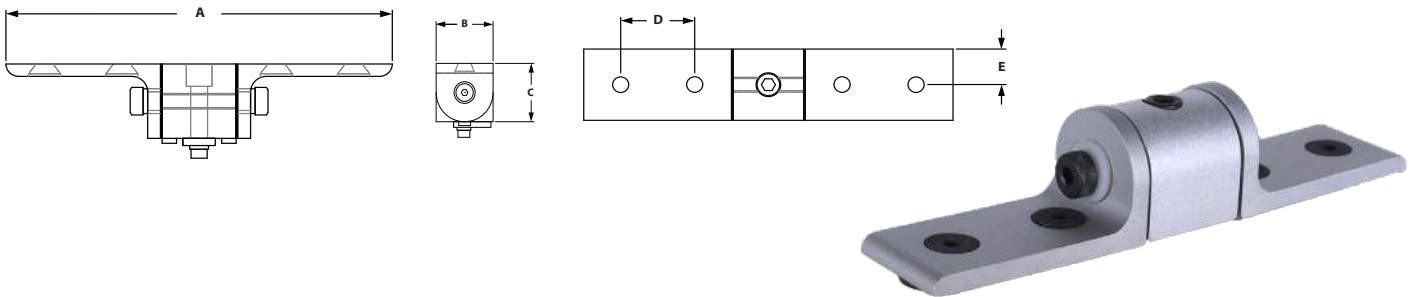
0° Living Hinge - Corner Bracket



Product Information

ITEM#	SERIES	FINISH	NUB (QTY)	ARM (QTY)	A	B	C	D	E
653101	10	Clear	653111 (1)	653105 (2)	5.000"	1.000"	1.000"	1.000"	.500"
653154	15		653208 (1)	653176 (2)	7.500"	1.500"	1.500"	1.500"	.750"

90° Living Hinge - Corner Bracket



Product Information

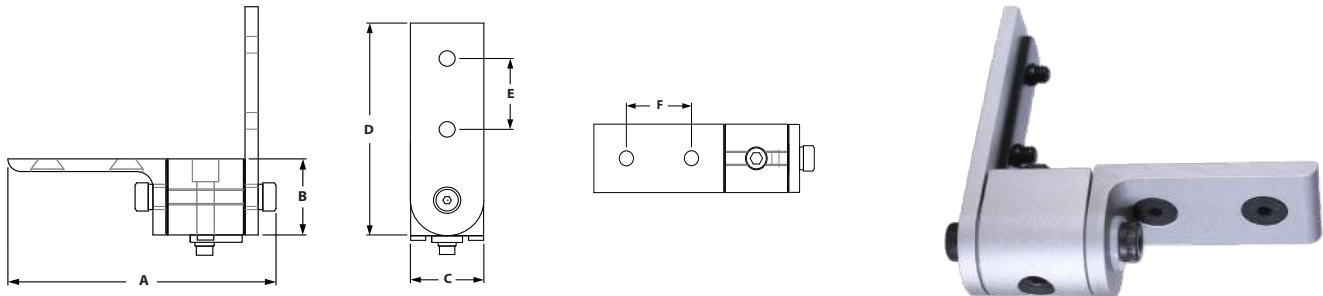
ITEM#	SERIES	FINISH	NUB (QTY)	ARM (QTY)	A	B	C	D	E
653102	10	Clear	653111 (1)	653105 (2)	5.000"	1.000"	1.000"	1.000"	.500"
653155	15		653208 (1)	653176 (2)	7.500"	1.500"	1.500"	1.500"	.750"

Included Fasteners (0° and 90°)

SERIES	NUB TO EXTRUSION (QTY)	ARMS TO NUB (QTY)	ARMS TO EXTRUSION (QTY)
10	651119 (1)	651244 (2)	651178 (4) & 651099 (2)
15	651487 (1)	651243 (2)	651181 (4) & 651098 (2)

Dynamic Hinge Assemblies

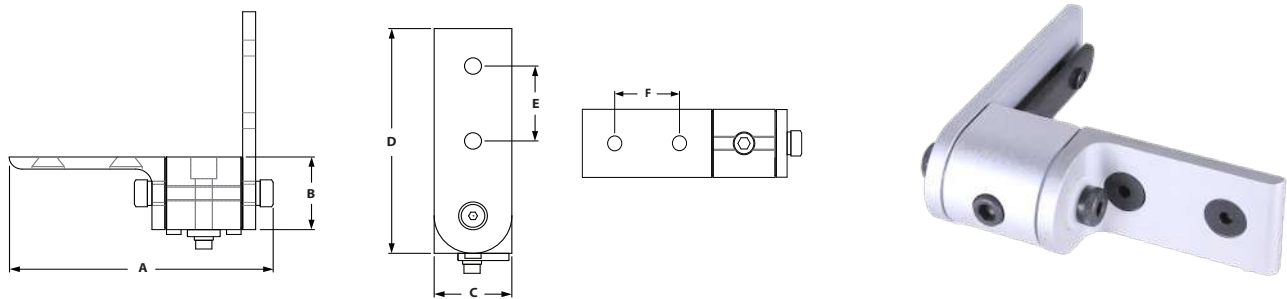
0° Living Hinge - Corner Bracket w/Arm



Product Information

ITEM#	SERIES	FINISH	NUB (QTY)	ARM (QTY)	A	B	C	D	E	F
653095	10	Clear	653111 (1)	653114 (1) - 653105 (1)	3.450"	1.000"	1.000"	3.000"	1.000"	1.000"
653195	15		653208 (1)	653211 (1) - 653176 (1)	5.075"	1.500"	1.500"	4.500"	1.500"	1.500"

90° Living Hinge - Corner Bracket w/Arm



Product Information

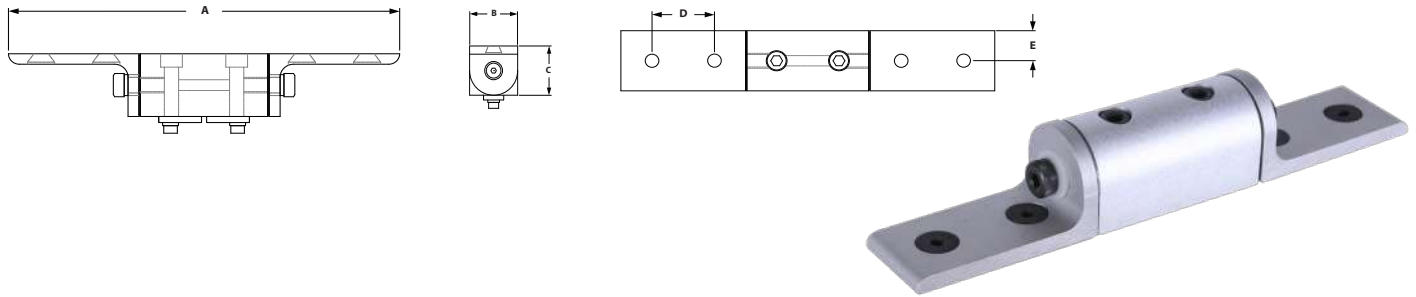
ITEM#	SERIES	FINISH	NUB (QTY)	ARM (QTY)	A	B	C	D	E	F
653096	10	Clear	653113 (1)	653114 (1) - 653105 (1)	3.450"	1.000"	1.000"	3.000"	1.000"	1.000"
653196	15		653210 (1)	653211 (1) - 653176 (1)	5.075"	1.500"	1.500"	4.500"	1.500"	1.500"

Included Fasteners (0° and 90°)

SERIES	NUB TO EXTRUSION (QTY)	ARMS TO NUB (QTY)	ARMS TO EXTRUSION (QTY)
10	651119 (1)	651244 (2)	651142 (1), 651178 (4), 651099 (2)
15	651487 (1)	651243 (2)	651141 (1), 651181 (4), 651098 (2)

Dynamic Hinge Assemblies

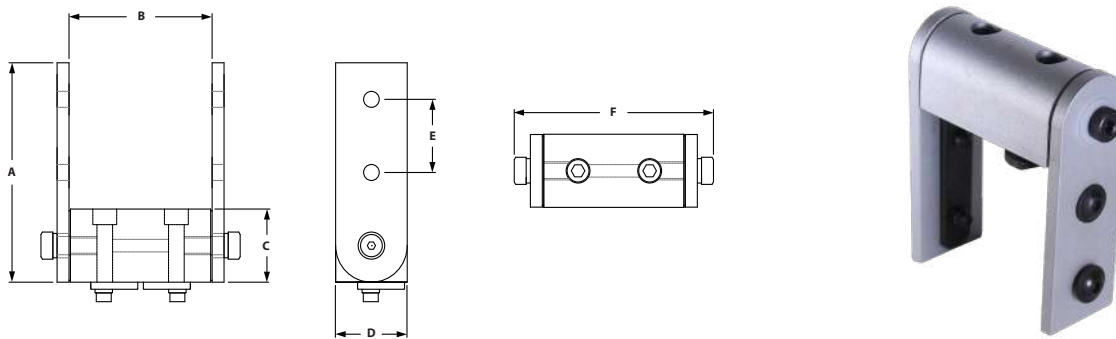
Universal Living Hinge - Corner Bracket



Product Information

ITEM#	SERIES	FINISH	NUB (QTY)	ARM (QTY)	A	B	C	D	E
653104	10	Clear	653108 (1)	653105 (2)	6.000"	1.000"	1.000"	1.000"	.500"
653156	15		653205 (1)	653176 (2)	9.000"	1.500"	1.500"	1.500"	.750"

Universal Living Hinge



Product Information

ITEM#	SERIES	FINISH	NUB (QTY)	ARM (QTY)	A	B	C	D	E	F
653109	10	Clear	653108 (1)	653114 (2)	3.000"	2.000"	1.000"	1.000"	1.000"	2.876"
653206	15		653205 (1)	653211 (2)	4.500"	3.000"	1.500"	1.500"	1.500"	4.174"

Included Fasteners (Corner Bracket)

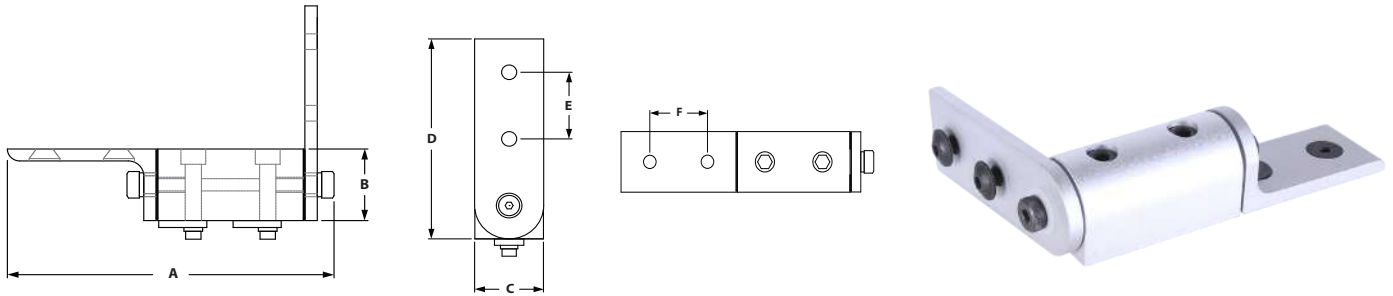
SERIES	NUB TO EXTRUSION (QTY)	ARMS TO NUB (QTY)	ARMS TO EXTRUSION (QTY)
10	651119 (2)	651244 (1)	651178 (4) & 651099 (2)
15	651487 (2)	651243 (1)	651181 (4) & 651098 (2)

Included Fasteners (Universal Hinge)

SERIES	NUB TO EXTRUSION (QTY)	ARMS TO NUB (QTY)	ARMS TO EXTRUSION (QTY)
10	651119 (2)	651244 (1)	651142 (2)
15	651487 (2)	651243 (1)	651141 (2)

Dynamic Hinge Assemblies

Universal Living Hinge - Corner Bracket w/Arm



Product Information

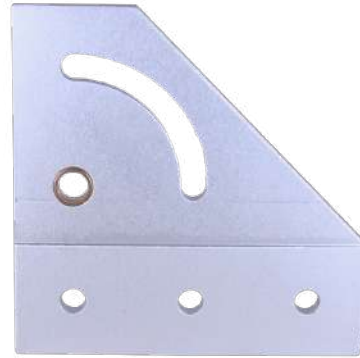
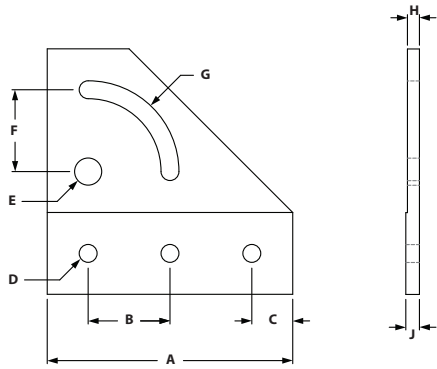
ITEM#	SERIES	FINISH	NUB (QTY)	ARM (QTY)	A	B	C	D	E	F
653097	10	Clear	653108 (1)	653114 (1) - 653105 (1)	4.445"	1.000"	1.000"	3.000"	1.000"	1.000"
653147	15		653205 (1)	653211 (1) - 653176 (1)	6.575"	1.500"	1.500"	4.500"	1.500"	1.500"

Included Fasteners (Corner Bracket w/Arm)

SERIES	NUB TO EXTRUSION (QTY)	ARMS TO NUB (QTY)	ARMS TO EXTRUSION (QTY)
10	651119 (2)	651244 (1)	651142 (1), 651178 (2), 651099 (1)
15	651487 (2)	651243 (1)	651141 (1), 651181 (2), 651098 (1)

Dynamic Hinge Assemblies

90° Pivot Bracket Plate



Product Information

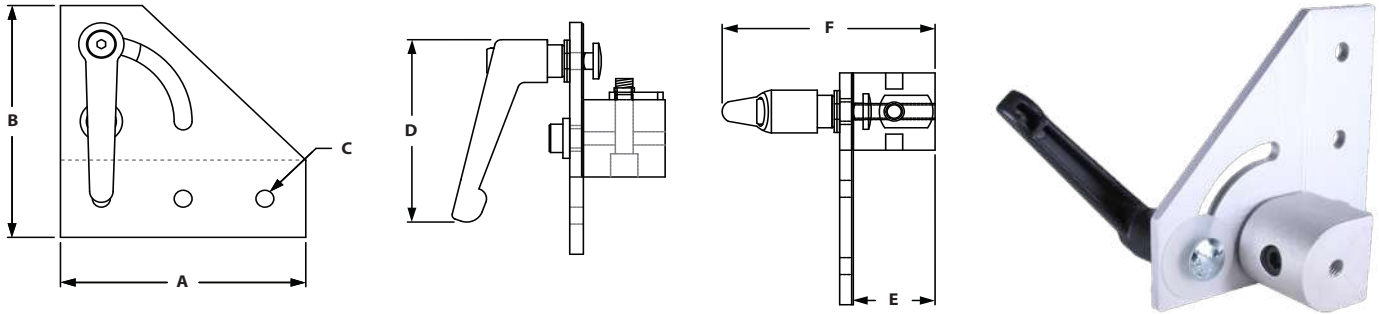
ITEM#	SERIES	FINISH	TYPE	A	B	C	D	E	F	G	H	J
653070	10	Clear	Left	3.000"	1.000"	.500"	.281"	.312"	1.000"	.265"	.158"	.188"
653074			Right	3.000"	1.000"	.500"	.281"	.312"	1.000"	.265"	.158"	.188"
653166	15		Left	4.500"	1.500"	.500"	.328"	.375"	1.500"	.328"	.220"	.250"
653170			Right	4.500"	1.500"	.750"	.328"	.375"	1.500"	.328"	.220"	.250"

Recommended Fasteners (Extrusion Slot)

ITEM #	SERIES	BOLT	T-NUT	QTY
651130	10	1/4-20 x 1/2" SHCS	Economy	3
651129	15	5/16-18 x 11/16" SHCS	Economy	3

Dynamic Hinge Assemblies

90° Pivot Bracket Assembly



Product Information

ITEM#	SERIES	FINISH	TYPE	PLATE	NUB	HANDLE	A	B	C	D	E	F
653076	10	Clear	Left	653070	653116	699956	3.000"	3.000"	.281"	2.055"	1.000"	2.754"
653082			Right	653074	653116	699956	3.000"	3.000"	.281"	2.055"	1.000"	2.754"
653172	15		Left	653166	653213	655676	4.500"	4.500"	.328"	3.500"	1.500"	4.015"
653180			Right	653170	65323	655676	4.500"	4.500"	.328"	3.500"	1.500"	4.015"

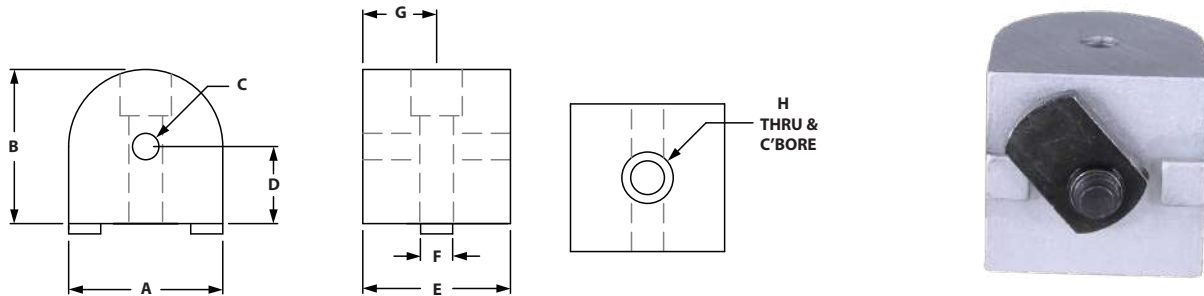
Recommended Fasteners (Extrusion Slot)

ITEM #	SERIES	BOLT	T-NUT	QTY
651130	10	1/4-20 x 1/2" SHCS	Economy	3
651129	15	5/16-18 x 11/16" SHCS	Economy	3

- 90° range of motion
- Permanently lubricated bronze bushings at high strength pivot points
- Nylon washers between plate and extrusion allow for smooth motion

Structural Hinge Hardware

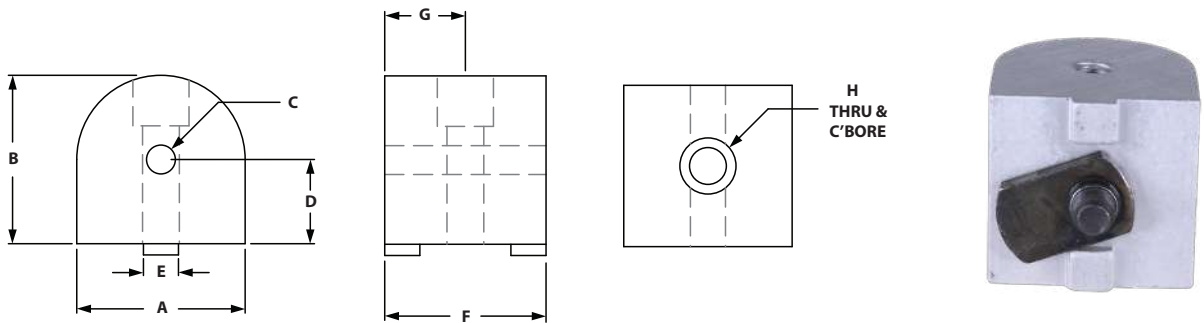
0° Pivot Nub



Product Information

ITEM#	SERIES	FINISH	A	B	(TAP) C	D	E	F	G	H
653116	10	Clear	1.000"	1.000"	1/4-20 x .50"	.500"	1.000"	.250"	.500"	1/4-20
653213	15		1.500"	1.500"	5/16-18 x .75"	.750"	1.500"	.312"	.750"	5/16-18

90° Pivot Nub



Product Information

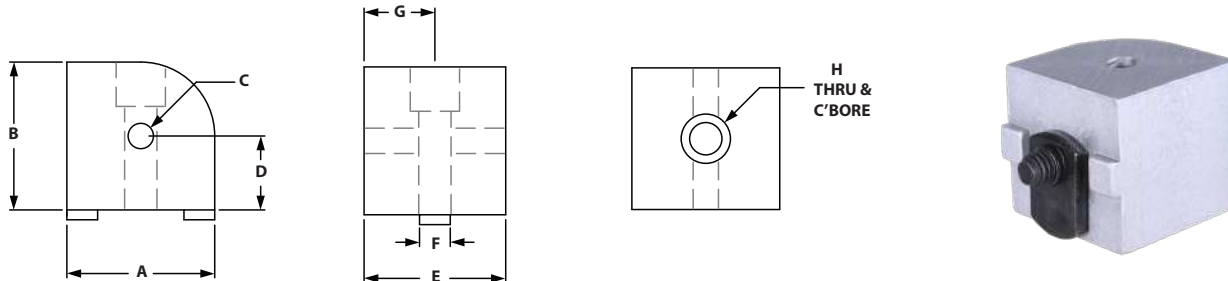
ITEM#	SERIES	FINISH	A	B	(TAP) C	D	E	F	G	H
653117	10	Clear	1.000"	1.000"	1/4-20 x .50"	.500"	.250"	1.000"	.500"	1/4-20
653214	15		1.500"	1.500"	5/16-18 x .75"	.750"	.312"	1.500"	.750"	5/16-18

Included Fasteners

ITEM #	SERIES	BOLT	T-NUT	QTY
651119	10	1/4-20 x 1" SHCS	Economy	1
651487	15	5/16-18 x 1-1/2" SHCS	Economy	1

Structural Hinge Hardware

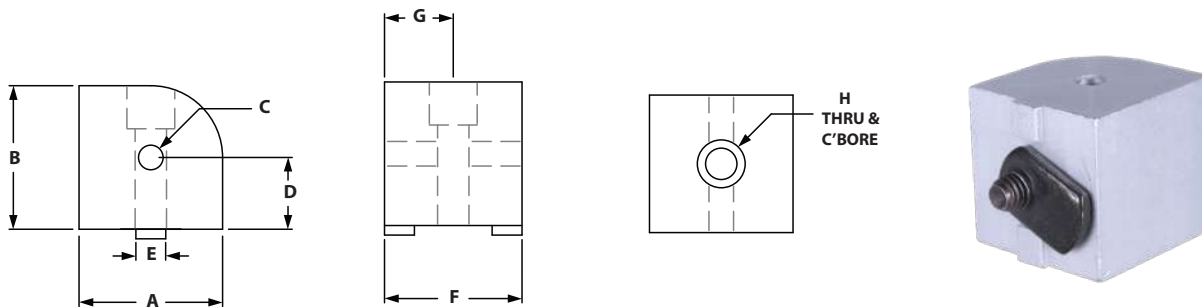
0° Right Angle Pivot Nub



Product Information

ITEM#	SERIES	FINISH	A	B	(TAP) C	D	E	F	G	H
653000	10	Clear	1.000"	1.000"	1/4-20 x .50"	.500"	1.000"	.250"	.500"	1/4-20
653223	15		1.500"	1.500"	5/16-18 x .75"	.750"	1.500"	.312"	.750"	5/16-18

90° Right Angle Pivot Nub



Product Information

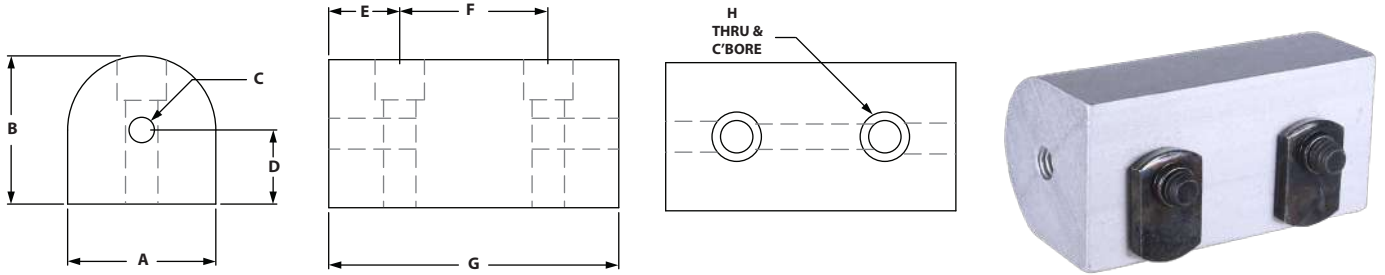
ITEM#	SERIES	FINISH	A	B	(TAP) C	D	E	F	G	H
653001	10	Clear	1.000"	1.000"	1/4-20 x .50"	.500"	.250"	1.000"	.500"	1/4-20
653224	15		1.500"	1.500"	5/16-18 x .75"	.750"	.312"	1.500"	.750"	5/16-18

Included Fasteners

ITEM #	SERIES	BOLT	T-NUT	QTY
651119	10	1/4-20 x 1" SHCS	Economy	1
651487	15	5/16-18 x 1-1/2" SHCS	Economy	1

Structural Hinge Hardware

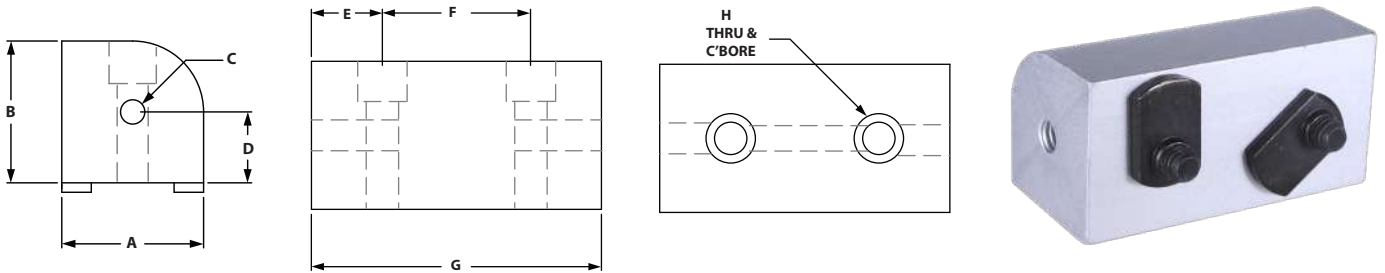
Universal Pivot Nub



Product Information

ITEM#	SERIES	FINISH	A	B	(TAP) C	D	E	F	G	H
653115	10	Clear	1.000"	1.000"	1/4-20 x .50"	.500"	.500"	1.000"	2.000"	1/4-20
653212	15		1.500"	1.500"	5/16-18 x .75"	.750"	.750"	1.500"	3.000"	5/16-18

Right Angle Universal Pivot Nub



Product Information

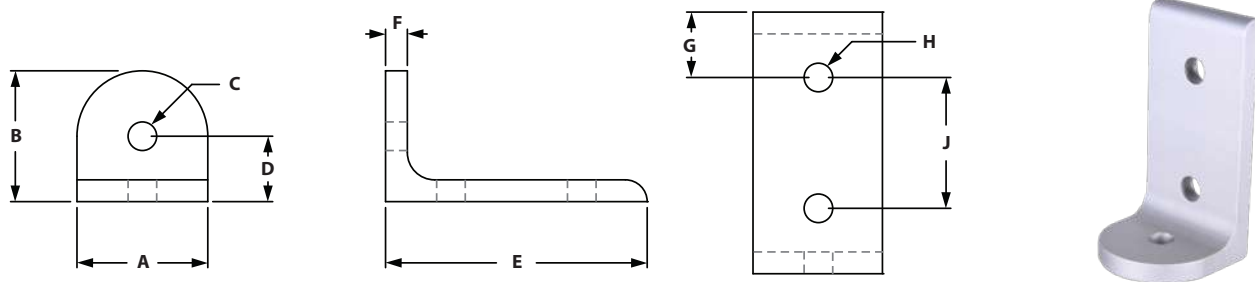
ITEM#	SERIES	FINISH	A	B	(TAP) C	D	E	F	G	H
653002	10	Clear	1.000"	1.000"	1/4-20 x .50"	.500"	.500"	1.000"	2.000"	1/4-20
653225	15		1.500"	1.500"	5/16-18 x .75"	.750"	.750"	1.500"	3.000"	5/16-18

Included Fasteners (Universal Pivot Nubs)

ITEM #	SERIES	BOLT	T-NUT	QTY
651119	10	1/4-20 x 1" SHCS	Economy	2
651487	15	5/16-18 x 1-1/2" SHCS	Economy	2

Structural Hinge Hardware

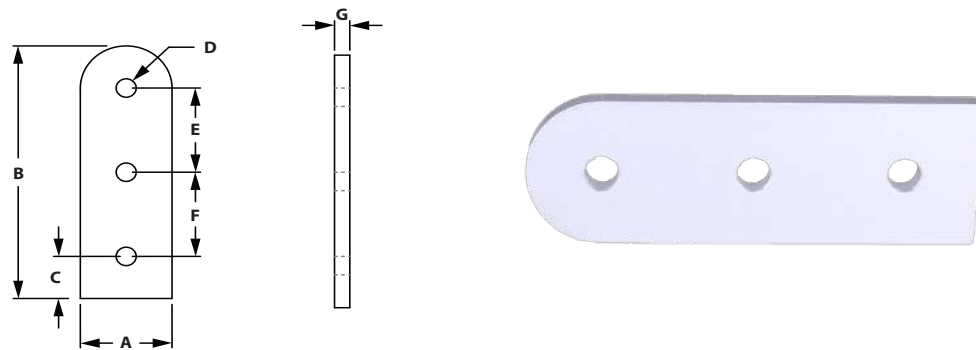
L Pivot Arm



Product Information

ITEM#	SERIES	FINISH	A	B	C	D	E	F	G	H	J
653083	10	Clear	1.000"	1.000"	.281"	.500"	2.000"	.188"	.500"	.281"	1.000"
653181	15		1.500"	1.500"	.328"	.750"	3.000"	.250"	.750"	.328"	1.500"

Straight Pivot Arm



Product Information

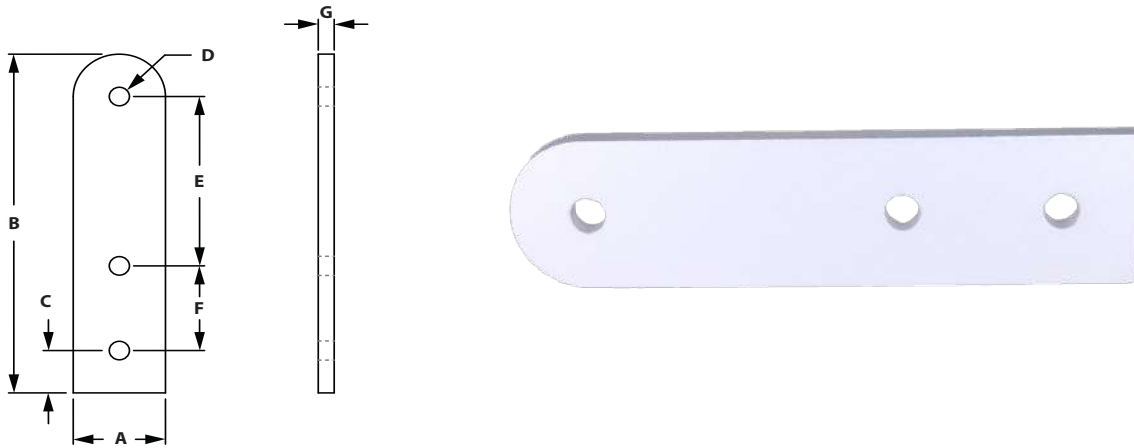
ITEM#	SERIES	FINISH	A	B	C	D	E	F	G
653119	10	Clear	1.000"	3.000"	.500"	.257"	1.000"	1.000"	.188"
653219	15		1.500"	4.500"	.750"	.328"	1.500"	1.500"	.250"

Included Fasteners (Pivot Arms)

ITEM #	SERIES	BOLT	T-NUT	QTY
651171	10	1/4-20 x 1/2" BHSCS	Economy	3
651129	15	5/16-18 x 11/16" FBHSCS	Economy	3

Structural Hinge Hardware

Extended Pivot Arm



Product Information

ITEM#	SERIES	FINISH	A	B	C	D	E	F	G
653122	10	Clear	1.000"	4.000"	.500"	.257"	2.000"	1.000"	.188"
653222	15		1.500"	6.000"	.750"	.328"	3.000"	1.500"	.250"

Included Fasteners






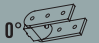


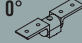
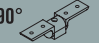

ITEM #	SERIES	BOLT	T-NUT	QTY
651130	10	1/4-20 x 1/2" BHSCS	Economy	3
651129	15	5/16-18 x 11/16" FBHSCS	Economy	3

Structural Hinge Hardware

Our structural hinges are made of a 6000 series aluminum alloy. They come with a standard flanged bolt and are secured in place with no motion





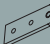



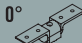
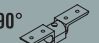
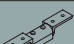



10 Series Structural Hinges

INDIVIDUAL PART NUMBERS

	 653116	 653117	 653115	 653083	 653119
 653120	1				2
 653121		1			2
 653118			1		2
 653087	1			2	
 653088		1		2	
 653090			1	2	

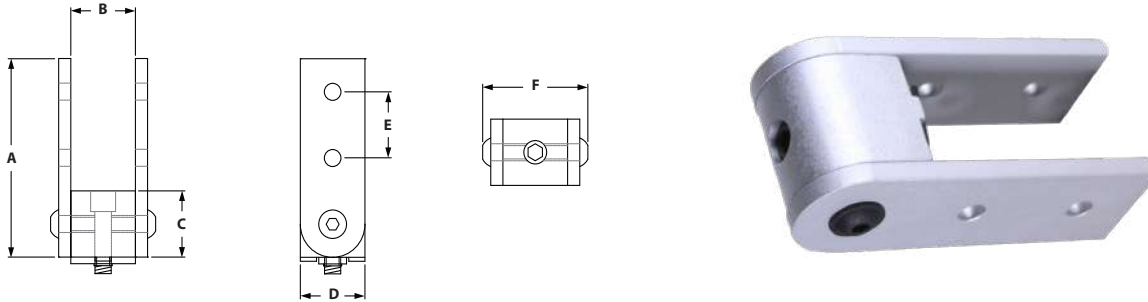
15 Series Structural Hinges

INDIVIDUAL PART NUMBERS

	 653213	 653214	 653212	 653181	 653219
 653220	1				2
 653221		1			2
 653218			1		2
 653185	1			2	
 653186		1		2	
 653188			1	2	
 653189	1			1	1
 653190		1		1	1
 653191			1	1	1

Structural Hinge Assemblies

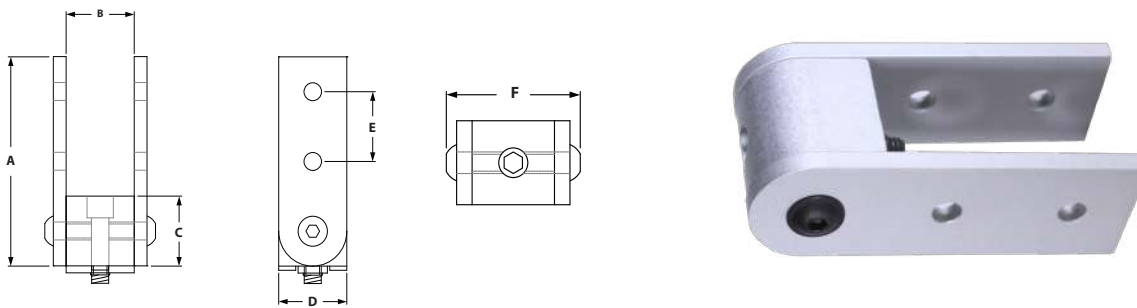
0° Pivot Hinge



Product Information

ITEM#	SERIES	FINISH	NUB (QTY)	ARM (QTY)	A	B	C	D	E	F
653120	10	Clear	653116 (1)	653119 (2)	3.000"	1.000"	1.000"	3.000"	1.000"	1.626"
653220	15		653213 (1)	653219 (2)	4.500"	1.500"	1.500"	4.500"	1.500"	2.315"

90° Pivot Hinge



Product Information

ITEM#	SERIES	FINISH	NUB (QTY)	ARM (QTY)	A	B	C	D	E	F
653121	10	Clear	653117 (1)	653119 (2)	3.000"	1.000"	1.000"	3.000"	1.000"	1.626"
653221	15		653214 (1)	653219 (2)	4.500"	1.500"	1.500"	4.500"	1.500"	2.315"

Included Fasteners (0° and 90°)

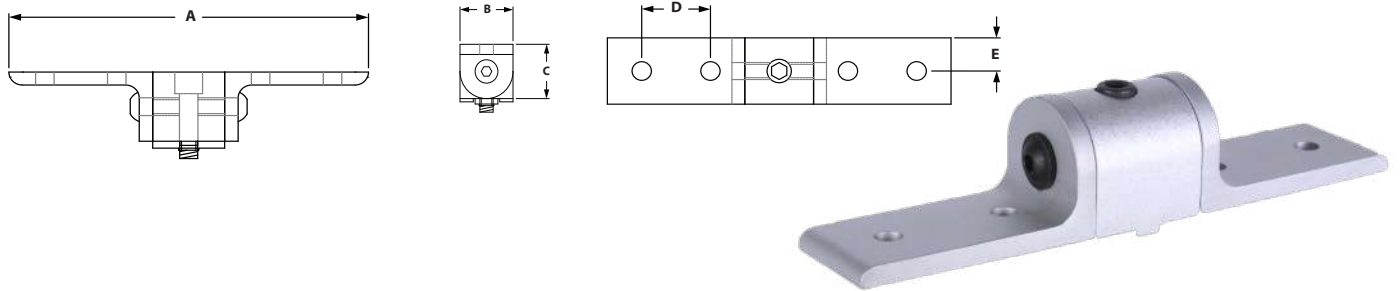
SERIES	NUB TO EXTRUSION (QTY)	ARMS TO NUB (QTY)
10	651119 (1)	651136 (2)
15	651487 (1)	651134 (2)

Recommended Fasteners (Arm to Extrusion)

SERIES	ITEM #	BOLT	T-NUT	QTY
10	651130	1/4-20 x 1/2" FBHSCS	Economy	4
15	651129	5/16-18 x 1/16" FBHSCS	Economy	4

Structural Hinge Assemblies

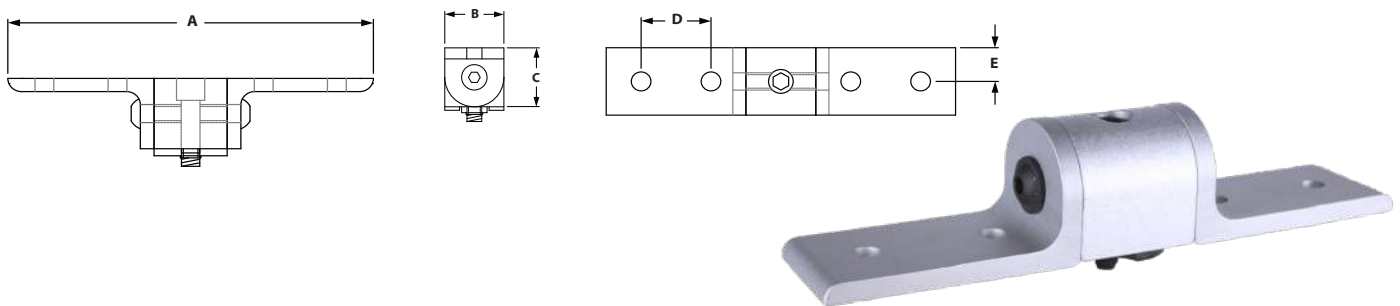
0° "L" Arm Pivot Hinge



Product Information

ITEM#	SERIES	FINISH	NUB (QTY)	ARM (QTY)	A	B	C	D	E
653087	10	Clear	653116 (1)	653083 (2)	5.000"	1.000"	1.000"	1.000"	.500"
653185	15		653213 (1)	653181 (2)	7.500"	1.500"	1.500"	1.500"	.750"

90° "L" Arm Pivot Hinge



Product Information

ITEM#	SERIES	FINISH	NUB (QTY)	ARM (QTY)	A	B	C	D	E
653088	10	Clear	653117 (1)	653083 (2)	5.000"	1.000"	1.000"	1.000"	.500"
653186	15		653214 (1)	653181 (2)	7.500"	1.500"	1.500"	1.500"	.750"

Included Fasteners (0° and 90°)

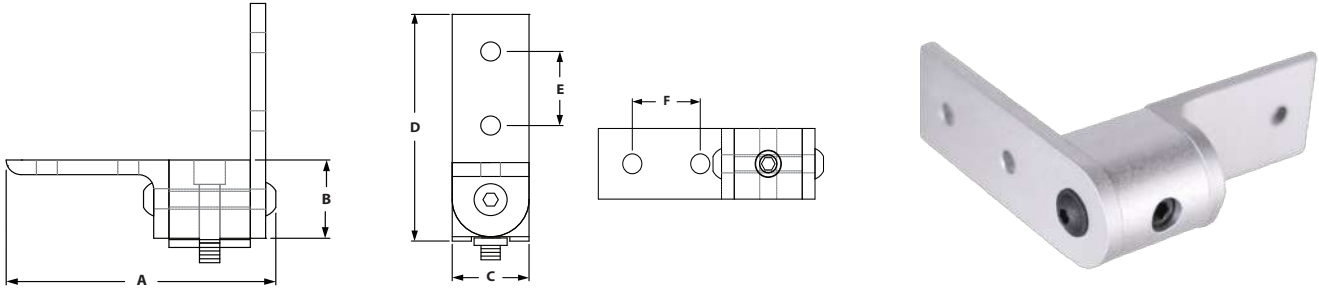
SERIES	NUB TO EXTRUSION (QTY)	ARMS TO NUB (QTY)
10	651119 (1)	651136 (2)
15	651487 (1)	651134 (2)

Recommended Fasteners (Arm to Extrusion)

SERIES	ITEM #	BOLT	T-NUT	QTY
10	651130	1/4-20 x 1/2" FBHSCS	Economy	4
15	651129	5/16-18 x 11/16" FBHSCS	Economy	4

Structural Hinge Assemblies

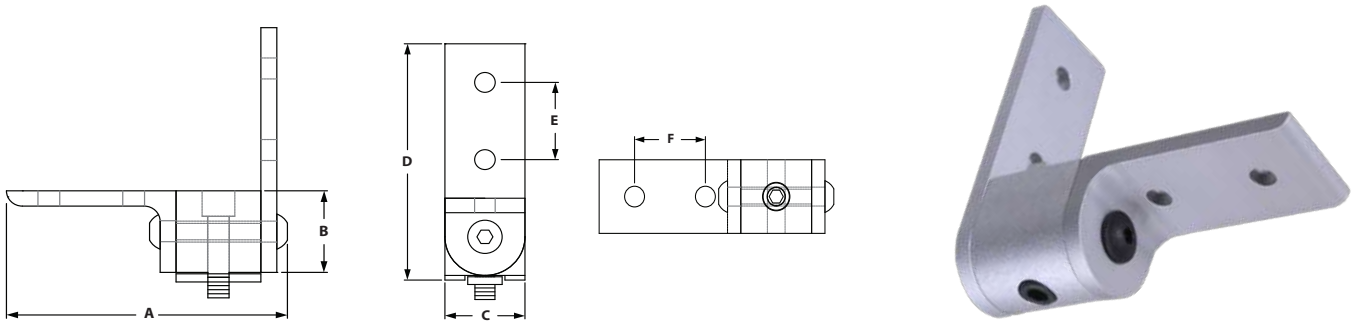
0° "L" Arm and Straight Arm Pivot Hinge



Product Information

ITEM#	SERIES	FINISH	NUB (QTY)	ARM (QTY)	A	B	C	D	E	F
653189	15	Clear	653213 (1)	653181 (1) - 653219 (1)	4.900"	1.500"	1.500"	4.500"	1.000"	1.500"

90° "L" Arm and Straight Arm Pivot Hinge



Product Information

ITEM#	SERIES	FINISH	NUB (QTY)	ARM (QTY)	A	B	C	D	E	F
653190	15	Clear	653214 (1)	653181 (1) - 653219 (1)	4.900"	1.500"	1.500"	4.500"	1.000"	1.500"

Included Fasteners (0° and 90°)

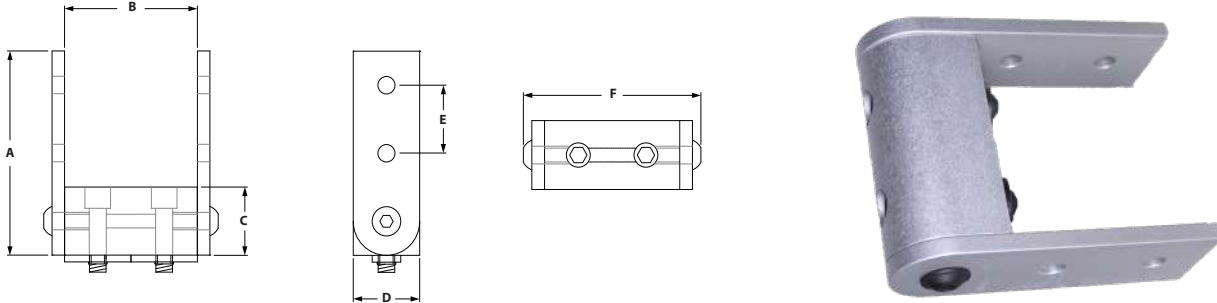
SERIES	NUB TO EXTRUSION (QTY)	ARMS TO NUB (QTY)
15	651487 (1)	651134 (2)

Recommended Fasteners (Arm to Extrusion)

SERIES	ITEM #	BOLT	T-NUT	QTY
15	651129	5/16-18 x 11/16" FBHSCS	Economy	4

Structural Hinge Assemblies

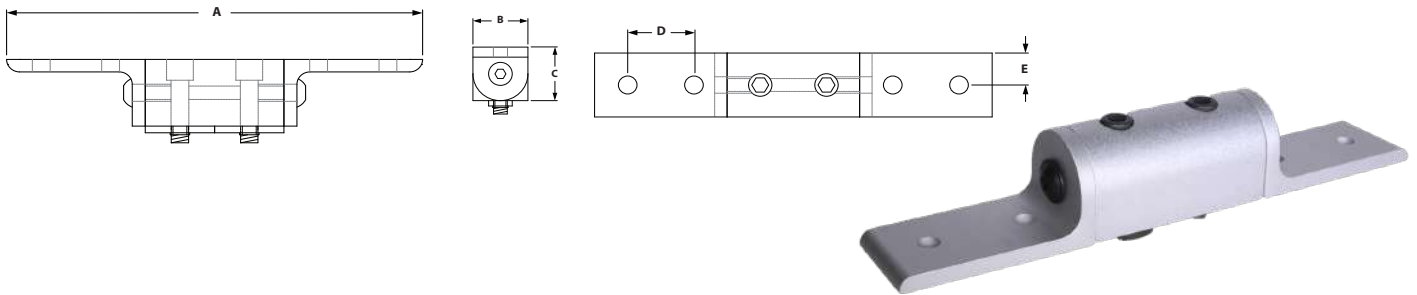
Universal Pivot Hinge



Product Information

ITEM#	SERIES	FINISH	NUB (QTY)	ARM (QTY)	A	B	C	D	E	F
653118	10	Clear	653115 (1)	653119 (2)	3.000"	2.000"	1.000"	1.000"	1.000"	2.626"
653218	15		653212 (1)	653219 (2)	4.500"	3.000"	1.500"	1.500"	1.500"	3.310"

Universal "L" Arm Pivot Hinge



Product Information

ITEM#	SERIES	FINISH	NUB (QTY)	ARM (QTY)	A	B	C	D	E
653090	10	Clear	653115 (1)	653083 (2)	6.000"	1.000"	1.000"	1.000"	.500"
653188	15		653212 (1)	653181 (2)	9.000"	1.500"	1.500"	1.500"	.750"

Included Fasteners

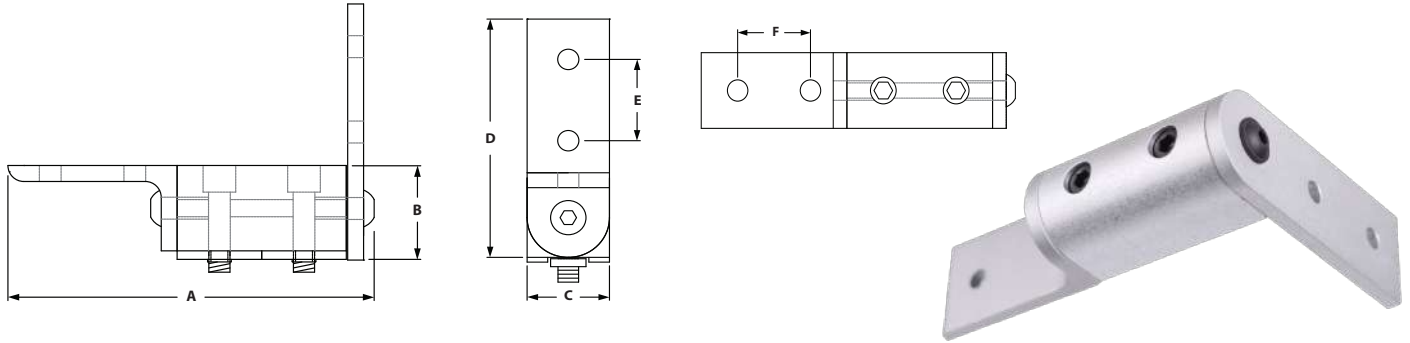
SERIES	NUB TO EXTRUSION (QTY)	ARMS TO NUB (QTY)
10	651119 (2)	651136 (2)
15	651487 (2)	651134 (2)

Recommended Fasteners (Arm to Extrusion)

SERIES	ITEM #	BOLT	T-NUT	QTY
10	651130	1/4-20 x 1/2" FBHSCS	Economy	4
15	651129	5/16-18 x 11/16" FBHSCS	Economy	4

Structural Hinge Assemblies

Universal "L" Arm and Straight Arm Pivot Hinge



Product Information

ITEM#	SERIES	FINISH	NUB (QTY)	ARM (QTY)	A	B	C	D	E	F
653191	15	Clear	653212 (1)	653181 (1) - 653219 (1)	6.400"	1.500"	1.500"	4.500"	1.000"	1.500"

Included Fasteners

SERIES	NUB TO EXTRUSION (QTY)	ARMS TO NUB (QTY)
15	651487 (1)	651134 (2)

Recommended Fasteners (Arm to Extrusion)

SERIES	ITEM #	BOLT	T-NUT	QTY
15	651129	5/16-18 x 11/16" FBHSCS	Economy	4

PANEL SECTION

Panels

Acrylic Panels

- Lightweight
- Weather resistant
- High optical clarity
- Great for displays or partitions

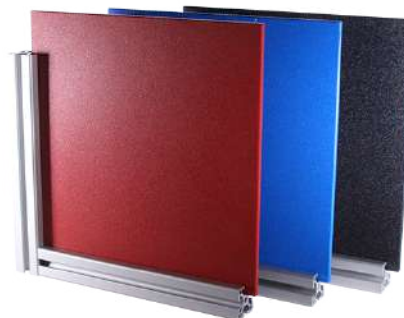


Product Information

ITEM#	COLOR	MATERIAL	THICKNESS	STOCK SIZE
655425	Clear	Acrylic	.177" (4.5 mm)	4' x 8' + .250"/-0
655424	Clear	Acrylic	.236" (6 mm)	4' x 8' + .250"/-0
655427	White	Acrylic	.177" (4.5 mm)	4' x 8' + .250"/-0
655426	White	Acrylic	.236" (6 mm)	4' x 8' + .250"/-0
655429	Black	Acrylic	.177" (4.5 mm)	4' x 8' + .250"/-0
655428	Black	Acrylic	.236" (6 mm)	4' x 8' + .250"/-0
655431	Bronze	Acrylic	.177" (4.5 mm)	4' x 8' + .250"/-0
655430	Bronze	Acrylic	.236" (6 mm)	4' x 8' + .250"/-0

HDPE Panels

- Textured on both sides
- Impact and corrosion resistant
- Highly machinable
- Great for enclosures, guarding, and safety applications



Product Information

ITEM#	COLOR	MATERIAL	THICKNESS	STOCK SIZE
655690	Black	HDPE	.236" (6 mm)	4' x 8' + .250"/-0
655691	Blue	HDPE	.236" (6 mm)	4' x 8' + .250"/-0
655695	Red	HDPE	.236" (6 mm)	4' x 8' + .250"/-0

Panels

Polycarbonate Panels

- High durability and impact resistant
- High optical clarity
- Highly machinable
- Great for enclosures, guarding, and safety applications



Product Information

ITEM#	COLOR	MATERIAL	THICKNESS	STOCK SIZE
655433	Clear	Polycarbonate	.177" (4.5mm)	4' x 8' + .250"/-0
655432	Clear	Polycarbonate	.236" (6mm)	4' x 8' + .250"/-0
682883	Clear	Polycarbonate	.375" (9.5 mm)	4' x 8' + .250"/-0
682884	Clear	Polycarbonate	.500" (12.7 mm)	4' x 8' + .250"/-0
655449	Gray	Polycarbonate	.177" (4.5mm)	4' x 8' + .250"/-0
655448	Gray	Polycarbonate	.236" (6mm)	4' x 8' + .250"/-0
655435	Bronze	Polycarbonate	.177" (4.5mm)	4' x 8' + .250"/-0
655434	Bronze	Polycarbonate	.236" (6mm)	4' x 8' + .250"/-0

Haircell ABS Panels

- One smooth side and one textured side
- Impact resistant
- Highly machinable
- Great for workstations and partitions



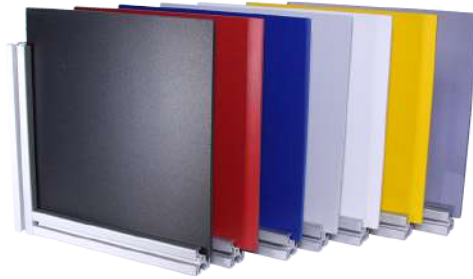
Product Information

ITEM#	COLOR	MATERIAL	THICKNESS	STOCK SIZE
655437	Black	Haircell ABS	.177" (4.5 mm)	4' x 8' + .250"/-0
655436	Black	Haircell ABS	.236" (6 mm)	4' x 8' + .250"/-0

Panels

Expanded PVC Panels

- Lightweight
- Chemical and weather resistant
- Highly machinable
- Great for displays or partitions



Product Information

ITEM#	COLOR	MATERIAL	THICKNESS	STOCK SIZE
655441	Black	Expanded PVC	.118" (3 mm)	4' x 8' + .250"/-0
655440	Black	Expanded PVC	.236" (6 mm)	4' x 8' + .250"/-0
655443	Red	Expanded PVC	.118" (3 mm)	4' x 8' + .250"/-0
655442	Red	Expanded PVC	.236" (6 mm)	4' x 8' + .250"/-0
655445	Blue	Expanded PVC	.118" (3 mm)	4' x 8' + .250"/-0
655444	Blue	Expanded PVC	.236" (6 mm)	4' x 8' + .250"/-0
655447	Gray	Expanded PVC	.118" (3 mm)	4' x 8' + .250"/-0
655446	Gray	Expanded PVC	.236" (6 mm)	4' x 8' + .250"/-0
655439	White	Expanded PVC	.118" (3 mm)	4' x 8' + .250"/-0
655438	White	Expanded PVC	.236" (6 mm)	4' x 8' + .250"/-0
655451	Yellow	Expanded PVC	.118" (3 mm)	4' x 8' + .250"/-0
655450	Yellow	Expanded PVC	.236" (6 mm)	4' x 8' + .250"/-0
682882	Clear	Expanded PVC	.236" (6 mm)	4' x 8' + .250"/-0

Panels

Alumalite Panels

- High durability
- Weather resistant
- Lightweight alternative to solid aluminum plate
- Great for workstations, enclosures, and displays



Product Information

ITEM#	COLOR	MATERIAL	THICKNESS	STOCK SIZE
655452	Blue	Alumalite	.236" (6 mm)	4' x 8' + .250"/-0
655454	Silver	Alumalite	.236" (6 mm)	4' x 8' + .250"/-0

Die Bond Panels

- High durability
- Weather resistant
- Lightweight alternative to solid aluminum plate
- Great for workstations, enclosures, and displays
- White on one side and black on the other



Product Information

ITEM#	COLOR	MATERIAL	THICKNESS	STOCK SIZE
655857	White/Black	Diebond	.118" (3mm)	4' x 8' + .250"/-0

Wire Mesh

Wire Mesh

- Great for workstations, enclosures, machine guarding, and displays.
- Use calculation matrix to measure area



Product Information

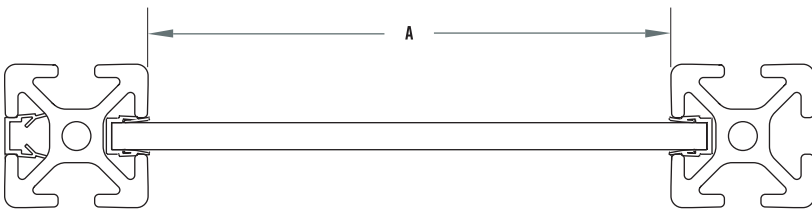
ITEM#	SIZE	COLOR	MATERIAL	GAUGE	OVERALL THICK- NESS	STOCK SIZE
655318	.5" x .5"	Black	PVC	16	.140"	4' x 8' + .250"/-0
655319	.5" x .5"	Yellow	PVC	16	.140"	4' x 8' + .250"/-0
655316	1" x 1"	Black	PVC	12	.210"	4' x 8' + .250"/-0
655317	1" x 1"	Yellow	PVC	12	.210"	4' x 8' + .250"/-0
655818	2" x 2"	Black	PVC	12	.210"	4' x 8' + .250"/-0
655830	2" x 2"	Yellow	PVC	12	.210"	4' x 8' + .250"/-0

Panel Matrix

Area Calculation Matrix

HOW TO USE THE MATRIX

- Round both length and width dimensions up to the next 6" increment
- Find the length and width along the top and side of area calculation matrix
- Find the area in square feet at the intersection of the length and width matrix



CALCULATE PANEL SLOT DEPTH

10 SERIES - ADD .50" TO "A"

15 SERIES - ADD .75" TO "A"

20 SERIES - ADD 6MM (.236") TO "A"

30 SERIES - ADD 14MM (.550") TO "A"

40 & 45 SERIES - ADD 21MM (.826") TO "A"

6060 B PROFILE - ADD 22MM (.866") TO "A"

6060 B 8 SLOT PROFILE - ADD 14MM (.550") TO "A"

3030 FG PROFILE - ADD 51.5MM (2.03") TO "A"

3045 FG PROFILE - ADD 39.2MM (1.544") TO "A"

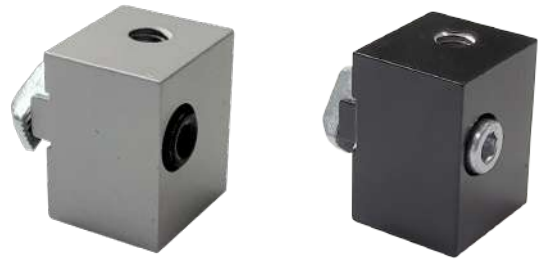
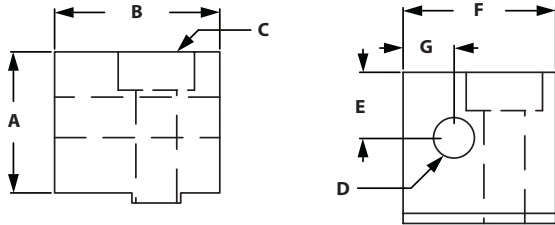
20 SERIES - ADD 10MM (.392") TO "A"

40 SERIES - ADD 19MM (.75") TO "A"

		WIDTH									
		6"	12"	18"	24"	30"	36"	42"	48"	54"	60"
LENGTH	6"	0.25	0.50	0.75	1.00	1.25	1.50	1.75	2.00	2.25	2.50
	12"	0.50	1.00	1.50	2.00	2.50	3.00	3.50	4.00	4.50	5.00
	18"	0.75	1.50	2.25	3.00	3.75	4.50	5.25	6.00	6.75	7.50
	24"	1.00	2.00	3.00	4.00	5.00	6.00	7.00	8.00	9.00	10.00
	30"	1.25	2.50	3.75	5.00	6.25	7.50	8.75	10.00	11.25	12.50
	36"	1.50	3.00	4.50	6.00	7.50	9.00	10.50	12.00	13.50	15.00
	42"	1.75	3.50	5.25	7.00	8.75	10.50	12.25	14.00	15.75	17.50
	48"	2.00	4.00	6.00	8.00	10.00	12.00	14.00	16.00	18.00	20.00
	54"	2.25	4.50	6.75	9.00	11.25	13.50	15.75	18.00	20.25	22.50
	60"	2.50	5.00	7.50	10.00	12.50	15.00	17.50	20.00	22.50	25.00
	66"	2.75	5.50	8.25	11.00	13.75	16.50	19.25	22.00	24.75	27.50
	72"	3.00	6.00	9.00	12.00	15.00	18.00	21.00	24.00	27.00	30.00
	78"	3.25	6.50	9.75	13.00	16.25	19.50	22.75	26.00	29.25	32.50
	84"	3.50	7.00	10.50	14.00	17.50	21.00	24.50	28.00	31.50	35.00
	90"	3.75	7.50	11.25	15.00	18.75	22.50	26.25	30.00	33.75	37.50
	96"	4.00	8.00	12.00	16.00	20.00	24.00	28.00	32.00	36.00	40.00
	102"	4.25	8.50	12.75	17.00	21.25	25.50	29.75	34.00	38.25	42.50
108"	4.50	9.00	13.50	18.00	22.50	27.00	31.50	36.00	40.50	45.00	

Panel Hardware

Panel Mount Block



- Allows your to mount panel flush or offset with extrusion
- Simplifies adding or removing panels
- Panel machining required

Product Information

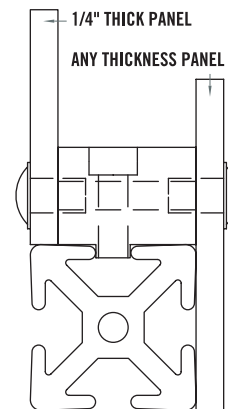
ITEM#	SERIES	FINISH	MATERIAL	A	B	C	D	E	F	G
655288	10	Clear	Aluminum	.700"	.800"	10-32 SHCS	1/4-20 TAP	.325"	.738"	.250"
654288		Black		.700"	.800"	10-32 SHCS	1/4-20 TAP	.325"	.738"	.250"
655286	15	Clear		.875"	1.250"	1/4-20 SHCS	5/16-18 TAP	.440"	1.000"	.390"
654286		Black		.875"	1.250"	1/4-20 SHCS	5/16-18 TAP	.440"	1.000"	.390"
655741	40	Clear		23.20mm	33.80mm	M6 x 25mm BHSCS	M8 x 1.25	11.60mm	25.60mm	9.90mm
654741		Black		23.20mm	33.80mm	M6 x 25mm BHSCS	M8 x 1.25	11.60mm	25.60mm	9.90mm

Included Hardware

ITEM #	SERIES	BOLT	T-NUT	QTY
651017 & 651096	10	10-32 x 3/4" SHCS	Economy	1
651029 & 651105	15	1/4-20 x 1" SHCS	Economy	1
651777	40	M6 x 25mm SHCS	Economy	1

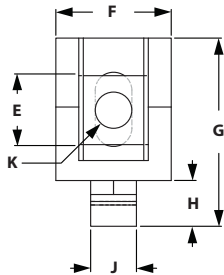
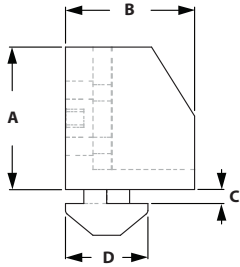
Recommended Fasteners (Mount to Panel)

ITEM #	SERIES	BOLT	QTY
651023	10	1/4-20 x 5/8" BHSCS	1
651053	15	5/16-18 x 3/4" BHSCS	1
651345	40	M8 x 16mm BHSCS	1



Panel Hardware

Nylon Panel Mount Block



- Panel inserts from the top then twists 90° to lock into place.
- .5" offset from edge for hole placement of panel.

Product Information

ITEM#	SERIES	MATERIAL	A	B	C	D	E	F	G	H	J	K
655681*	15	Black	.886"	.984"	.165"	.670"	.492"	.750"	1.339"	.354"	.236"	1/4-20
682847	40	Nylon	25.00mm	25.00mm	4.00mm	17.00mm	12.50mm	18.50mm	34.00mm	9.00mm	6.00mm	M6 x 1.0

*Fasteners Included

Included Hardware (655681 Only)

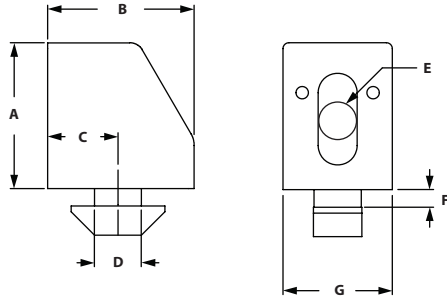
ITEM #	SERIES	DESCRIPTION	QTY
671047	15	Uniblock Spacer	1
651462		1/4-20 x 1" BHSCS	1

Recommended Fasteners (682847 Only)

ITEM #	SERIES	BOLT	QTY
651579	40	M6 x 18mm BHSCS	1

Panel Hardware

Uniblocks

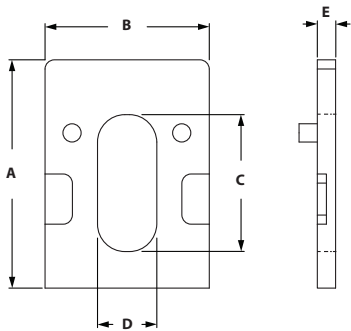


- Uniblock inserts from the top then twist 90° to lock
- .5" offset from edge for hole placement of panel

Product Information

ITEM#	SERIES	MATERIAL	A	B	C	D	E	F	G
671236	30	Black Nylon	25.00mm	18.50mm	7.00mm	8.00mm	M6 x 1.0	2.20mm	18.50mm
671237			25.00mm	18.50mm	7.00mm	8.00mm	1/4-20	2.20mm	18.50mm
671242	45		25.00mm	25.00mm	8.50mm	10.00mm	M6 x 1.0	5.80mm	18.50mm
671238			25.00mm	25.00mm	9.50mm	10.00mm	M6 x 1.0	5.80mm	18.50mm
671240			25.00mm	25.00mm	14.00mm	10.00mm	M6 x 1.0	5.80mm	18.50mm
671241			25.00mm	25.00mm	14.00mm	10.00mm	1/4-20	5.80mm	18.50mm

Uniblock Spacers



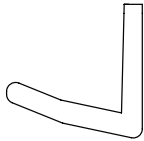
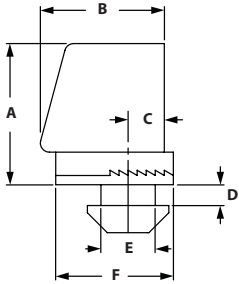
- Work with panel mount block to increase thickness
- Allows for offset panel mounting
- Reduces movement and vibration

Product Information

ITEM#	SERIES	MATERIAL	A	B	C	D	E
671046	15	Black Nylon	.984"	.728"	.590"	.256"	.118"
	40		25.00mm	18.50mm	15.00mm	6.50mm	3.00mm
671047	30		.984"	.728"	.590"	.256"	.197"
	45		25.00mm	18.50mm	15.00mm	6.50mm	5.00mm

Panel Hardware

Clip Block



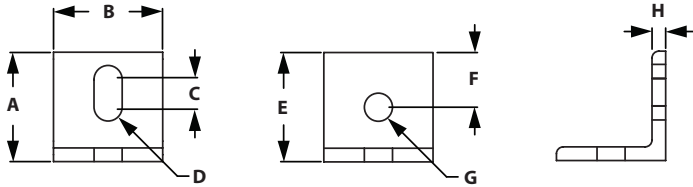
- Requires no machining or hardware
- Clip secures the panel to the block and increase stability
- Clip can be removed with a flat head screwdriver

Product Information

ITEM#	SERIES	MATERIAL	A	B	C	D	E	F
671048	30	Black	21.00mm	18.00mm	7.00mm	2.20mm	8.00mm	19.50mm
671048	45	Nylon	21.00mm	18.00mm	14.00mm	5.80mm	10.00mm	19.50mm

Panel Hardware

Uniblocks



- Lower cost alternative to the panel mount block
- Slotted hole makes alignment easy
- Drilling hole in panel required

Product Information

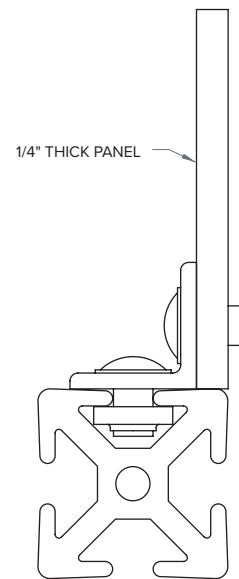
ITEM#	SERIES	FINISH	MATERIAL	A	B	C	D	E	F	G	H
655289	10	Clear	Aluminum	1.000"	1.000"	.250"	.129"	1.000"	.500"	.257"	.125"
655291	15 40	Clear	Aluminum	1.000" 25.40mm	1.000" 25.40mm	.250" 6.35mm	.164" 4.17mm	1.000" 25.40mm	.500" 12.70mm	.328" 8.33mm	.125" 3.18mm

Recommended Fasteners (Extrusion Slot)

ITEM #	SERIES	BOLT	T-NUT	QTY
651166	10	1/4-20 x 3/8" FBHSCS	Economy	1
651128	15	5/16-18 x 1/2" FBHSCS	Economy	1
651767	40	M8 x 12mm BHSCS	Economy	1

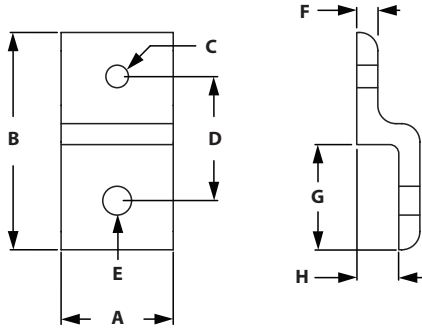
Recommended Fasteners (Extrusion End)

ITEM #	SERIES	BOLT	T-NUT	WASHER	QTY
651002	10	1/4-20 x 3/4" FBHSCS	Hex	Yes	1
651210	15	5/16-18 x 1/2" FBHSCS	Hex	Yes	1
651785	40	M8 x 16mm BHSCS	Hex	Yes	1



Panel Hardware

Single Panel Retainer



- Strongest way to retain panels
- Simplifies panel installation and removal
- Panel machining required

Product Information

ITEM#	SERIES	FINISH	MATERIAL	A	B	THREAD C	D	E	F	G	H
655329	10	Clear	Aluminum	1.000"	1.938"	1/4-20	1.108"	.257"	.188"	.938"	.375"
655295	15	Clear	Aluminum	1.500"	2.879"	5/16-18	1.656"	.328"	.250"	1.379"	.590"
664039	40	Clear	Aluminum	40.00mm	77.00mm	M8 x 1.25	44.40mm	8.33mm	6.00mm	37.00mm	15.95mm
671714	45	Clear	Aluminum	45.00mm	88.00mm	M8 x 1.25	49.00mm	9.00mm	6.00mm	39.00mm	17.50mm

Recommended Fasteners (Extrusion Slot)

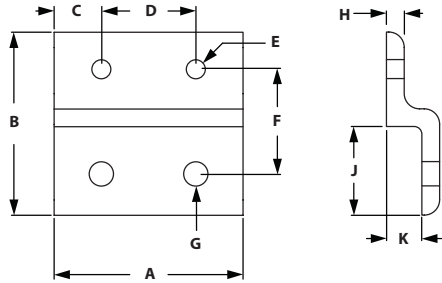
ITEM #	SERIES	BOLT	T-NUT	QTY
651130	10	1/4-20 x 1/2" FBHSCS	Economy	1
651129	15	5/16-18 x 11/16" FBHSCS	Economy	1
651506	40	M8 x 16mm BHSCS	Economy	1
651708	45	M8 x 18mm BHSCS	Hammer Nut	1

Recommended Fasteners (For 1/4" Panel)

ITEM #	SERIES	BOLT	T-NUT	WASHER	QTY
651169	10	1/4-20 x 3/8" FBHSCS	Economy	No	1
651135	15	5/16-18 x 1/2" FBHSCS	Economy	No	1
651770	40	M8 x 20mm BHSCS	Hex	Yes	1

Panel Hardware

Single Wide Panel Retainer



- Strongest way to retain panels
- Simplifies panel installation and removal
- Panel machining required

Product Information

ITEM#	SERIES	FINISH	MATERIAL	A	B	C	D	THREAD E	F	G	H	J	K
655330	10	Clear	Aluminum	2.00"	1.938"	.500"	1.000"	1/4-20	1.108"	.257"	.188"	.563"	.375"
655294	15	Clear	Aluminum	3.00"	2.879"	.750"	1.500"	5/16-18	1.656"	.328"	.250"	.840"	.590"

Recommended Fasteners (Extrusion Slot)

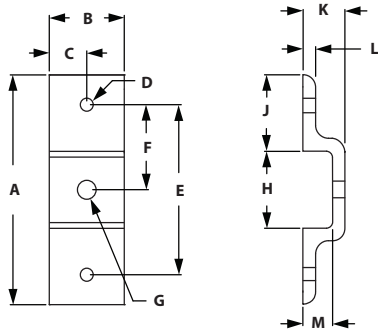
ITEM #	SERIES	BOLT	T-NUT	QTY
651130	10	1/4-20 x 1/2" FBHSCS	Economy	2
651129	15	5/16-18 x 11/16" FBHSCS	Economy	2

Recommended Fasteners (For 1/4" Panel)

ITEM #	SERIES	BOLT	T-NUT	WASHER	QTY
651169	10	1/4-20 x 3/8" FBHSCS	Economy	No	2
651135	15	5/16-18 x 1/2" FBHSCS	Economy	No	2

Panel Hardware

Double Panel Retainer

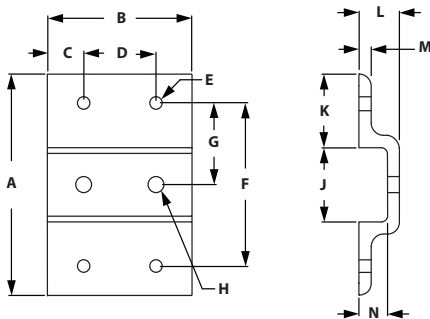


- Strongest way to retain panels
- Simplifies panel installation and removal

Product Information

ITEM#	SERIES	FINISH	MATERIAL	A	B	C	THREAD D	E	F	G	H	J	K	L	M
655343	10	Clear	Aluminum	3.021"	1.000"	.500"	1/4-20	2.237"	1.118"	.257"	1.021"	1.000"	.563"	.188"	.375"
655345	15	Clear	Aluminum	4.523"	1.500"	.750"	5/16-18	3.335"	1.666"	.328"	1.523"	1.500"	.840"	.250"	.590"

Double Wide Panel Retainer



- Strongest way to retain panels
- Simplifies panel installation and removal

Product Information

ITEM#	SERIES	FINISH	MATERIAL	A	B	C	D	THREAD E	F	G	H	J	K	L	M	N
655344	10	Clear	Aluminum	3.021"	2.000"	.500"	1.000"	1/4-20	2.237"	1.118"	.257"	1.021"	1.000"	.563"	.188"	.375"
655346	15	Clear	Aluminum	4.523"	3.000"	.750"	1.500"	5/16-18	3.335"	1.666"	.328"	1.523"	1.500"	.840"	.250"	.590"

Recommended Fasteners (Extrusion Slot)

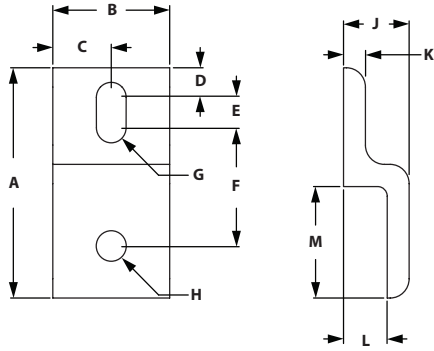
ITEM #	SERIES	BOLT	T-NUT	QTY	QTY FOR WIDE
651130	10	1/4-20 x 1/2" FBHSCS	Economy	1	2
651129	15	5/16-18 x 11/16" FBHSCS	Economy	1	2

Recommended Fasteners (For 1/4" Panel)

ITEM #	SERIES	BOLT	T-NUT	QTY	QTY FOR WIDE
651169	10	1/4-20 x 3/8" FBHSCS	Economy	1	2
651135	15	5/16-18 x 1/2" FBHSCS	Economy	1	2

Panel Hardware

Mesh Panel Retainer



- Strongest way to retain wire mesh
- Prevents wire mesh from pushing out of the slot
- Simplifies installation and removal of wire mesh

Product Information

ITEM#	SERIES	FINISH	MATERIAL	A	B	C	D	E	F	G	H
655323	10	Clear	Aluminum	1.938"	1.000"	.500"	.250"	.375"	.875"	.255"	.255"
655293	15	Clear	Aluminum	2.879"	1.500"	.750"	.344"	.500"	1.406"	.328"	.328"
664082	40	Clear	Aluminum	77.00mm	40.00mm	20.00mm	8.74mm	12.70mm	38.76mm	8.33mm	8.33mm

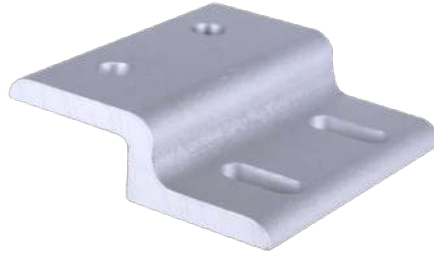
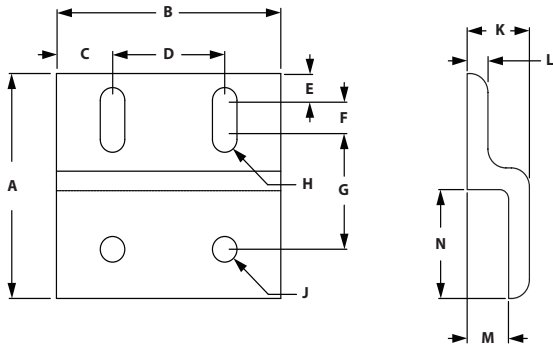
ITEM#	J	K	L	M
655323	.563"	.188"	.375"	.938"
655293	.840"	.250"	.590"	1.379"
664082	22.00mm	6.00mm	16.00mm	37.00mm

Recommended Fasteners (Extrusion Slot)

ITEM #	SERIES	BOLT	T-NUT	QTY
651130	10	1/4-20 x 1/2" FBHSCS	Economy	1
651129	15	5/16-18 x 11/16" FBHSCS	Economy	1
651506	40	M8 x 16mm BHSCS	Economy	1

Panel Hardware

Wide Mesh Panel Retainer



- Strongest way to retain wire mesh
- Prevents wire mesh from pushing out of the slot
- Simplifies installation and removal of wire mesh

Product Information

ITEM#	SERIES	FINISH	MATERIAL	A	B	C	D	E	F	G	H
655326	10	Clear	Aluminum	1.938"	2.000"	.500"	1.000"	.250"	.375"	.875"	.255"
655292	15	Clear	Aluminum	2.879"	3.000"	.750"	1.500"	.344"	.500"	1.406"	.328"
664204	40	Clear	Aluminum	77.00mm	80.00mm	20.00mm	40.00mm	8.64mm	12.70mm	38.76mm	8.33mm

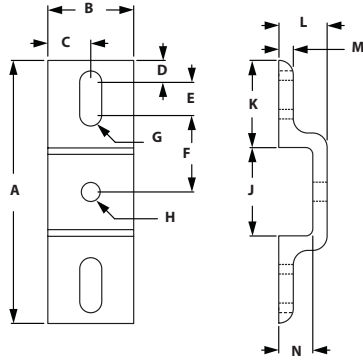
ITEM#	J	K	L	M	N
655323	.255"	.563"	.188"	.375"	.938"
655293	.328"	.840"	.250"	.590"	1.379"
664082	8.33mm	22.00mm	6.00mm	16.00mm	37.00mm

Recommended Fasteners (Extrusion Slot)

ITEM #	SERIES	BOLT	T-NUT	QTY
651130	10	1/4-20 x 1/2" FBHSCS	Economy	2
651129	15	5/16-18 x 11/16" FBHSCS	Economy	2
651506	40	M8 x 16mm BHSCS	Economy	2

Panel Hardware

Double Mesh Panel Retainer



- Prevents wire mesh from pushing out of the slot
- Simplifies installation and removal of wire mesh

Product Information

ITEM#	SERIES	FINISH	MATERIAL	A	B	C	D	E	F	G	H
655351	10	Clear	Aluminum	3.021"	1.000"	.500"	.250"	.375"	.855"	.257"	.257"
655347	15	Clear	Aluminum	4.523"	1.500"	.750"	.344"	.500"	1.416"	.328"	.328"

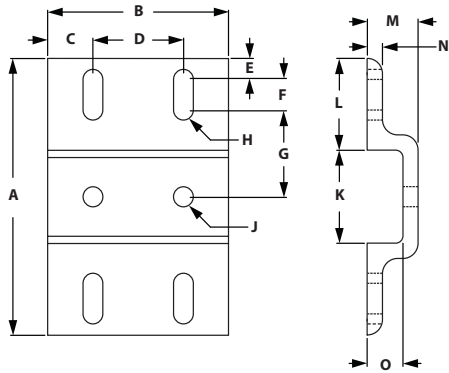
ITEM#	J	K	L	M	N
655323	1.021"	1.000"	.563"	.188"	.375"
655293	1.523"	1.500"	.840"	.250"	.590"

Recommended Fasteners (Extrusion Slot)

ITEM #	SERIES	BOLT	T-NUT	QTY
651130	10	1/4-20 x 1/2" FBHSCS	Economy	1
651129	15	5/16-18 x 11/16" FBHSCS	Economy	1

Panel Hardware

Double Wide Mesh Panel Retainer



- Prevents wire mesh from pushing out of the slot
- Simplifies installation and removal of wire mesh

Product Information

ITEM#	SERIES	FINISH	MATERIAL	A	B	C	D	E	F	G	H
655353	10	Clear	Aluminum	3.021"	2.000"	.500"	1.000"	.250"	.375"	.855"	.257"
655349	15	Clear	Aluminum	4.523"	3.000"	.750"	1.500"	.344"	.500"	1.416"	.328"

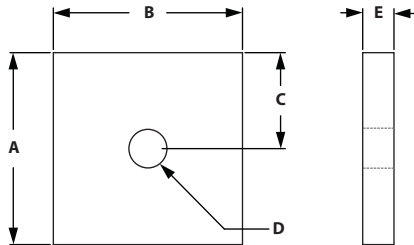
ITEM#	J	K	L	M	N	O
655323	.257"	1.021"	1.000"	.563"	.188"	.375"
655293	.328"	1.523"	1.500"	.840"	.250"	.590"

Recommended Fasteners (Extrusion Slot)

ITEM #	SERIES	BOLT	T-NUT	QTY
651130	10	1/4-20 x 1/2" FBHSCS	Economy	2
651129	15	5/16-18 x 11/16" FBHSCS	Economy	2

Panel Hardware

Backing Plates



- Secures mesh panel retainers to the wire mesh

Product Information

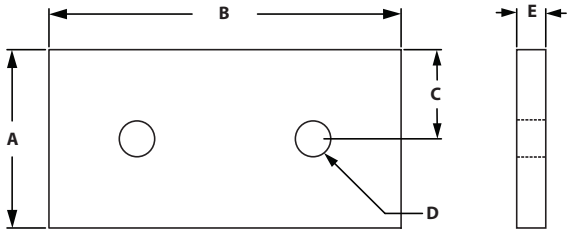
ITEM#	SERIES	FINISH	MATERIAL	A	B	C	THREAD D	E
655325	10	Clear	Aluminum	1.000"	1.000"	.500"	1/4-20	.188"
655299	15	Clear	Aluminum	1.500"	1.500"	.750"	5/16-18	.250"
664069	40	Clear	Aluminum	38.10mm	38.10mm	19.00mm	M8 x 1.25	6.35mm

Recommended Fasteners (Panel/Mesh Retainer)

ITEM #	SERIES	BOLT	RETAINER QTY	WIDE RETAINER QTY	DBL RETAINER QTY	DBL WIDE RETAINER QTY
651023	10	1/4-20 x 5/8" BHSCS	1	2	2	4
651053	15	5/16-18 x 3/4" BHSCS	1	2	2	4
651347	40	M8 x 20mm BHSCS	1	2	2	4

Panel Hardware

Double Backing Plates



- Secures mesh panel retainers to the wire mesh

Product Information

ITEM#	SERIES	FINISH	MATERIAL	A	B	C	THREAD D	E
655328	10	Clear	Aluminum	1.000"	2.000"	.500"	1/4-20	.188"
655298	15	Clear	Aluminum	1.500"	3.000"	.750"	5/16-18	.250"
664205	40	Clear	Aluminum	38.10mm	80.00mm	19.00mm	M8 x 1.25	6.35mm

Recommended Fasteners (Panel/Mesh Retainer)

ITEM #	SERIES	BOLT	WIDE RETAINER QTY	DBL WIDE RETAINER QTY
651023	10	1/4-20 x 5/8" BHSCS	1	2
651053	15	5/16-18 x 3/4" BHSCS	1	2
651347	40	M8 x 20mm BHSCS	1	2

Mesh Retainer Assemblies

Mesh Panel Retainers Assembly



- Strongest way to retain wire mesh
- Prevents wire mesh from pushing out of the slot
- Simplifies installation and removal of wire mesh
- Fasteners for gauge wire included

Product Information

ITEM#	SERIES	TYPE	RETAINER	QTY	BACKING PLATE	QTY	BOLT TO PLATE	QTY
655324	10	Single	655323	1	655325	1	651023	1
655327		Wide	655326		655328			
655297	15	Single	655293		655299		651053	
655296		Wide	655292		655298			
664066	40	Single	664082		664069		651347	
664206		Wide	664204		664205			
671715	45	Single	--	--	--	--	--	--

** 45 Series sold as kit, items not sold separately

Recommended Fasteners (Extrusion Slot)

ITEM #	SERIES	BOLT	T-NUT	QTY	QTY FOR WIDE
651130	10	1/4-20 x 1/2" FBHSCS	Economy	1	2
651129	15	5/16-18 x 11/16" FBHSCS	Economy	1	2
651506	40	M8 x 16mm BHSCS	Economy	1	2
651708	45	M8 x 18mm BHSCS	Hammer Nut	1	--

Mesh Retainer Assemblies

Double Mesh Panel Retainers Assembly



- Prevents wire mesh from pushing out of the slot
- Simplifies installation and removal of wire mesh
- Fasteners for gauge wire included

Product Information

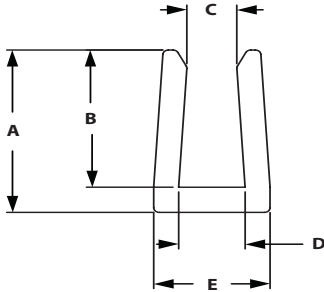
ITEM#	SERIES	TYPE	RETAINER	QTY	BACKING PLATE	QTY	BOLT TO PLATE	QTY
655352	10	Single	655351	1	655325	2	651023	1
655354		Wide	655353		655328			2
655348	15	Single	655347		655299		651053	1
655350		Wide	655349		655298			2

Recommended Fasteners (Extrusion Slot)

ITEM #	SERIES	BOLT	T-NUT	QTY	QTY FOR WIDE
651130	10	1/4-20 x 1/2" FBHSCS	Economy	1	2
651129	15	5/16-18 x 11/16" FBHSCS	Economy	1	2

Panel Hardware

Panel Stiffener

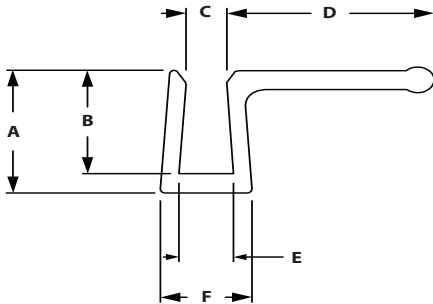


- Increases the rigidity of 1/4" panels

Product Information

ITEM#	SERIES	FINISH	MATERIAL	LENGTH	A	B	C	D	E
655880	15	Clear	Aluminum	72"	.710"	.600"	.181"	.240"	.420"
	40				18.03mm	15.24mm	4.60mm	6.10mm	10.67mm

Panel Stiffener with Handle



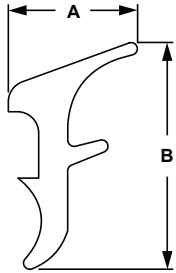
- Increases the rigidity of 1/4" panels

Product Information

ITEM#	SERIES	FINISH	MATERIAL	LENGTH	A	B	C	D	E	F
655881	15	Clear	Aluminum	72"	.710"	.600"	.181"	.950"	.245"	.420"
	40				18.03mm	15.24mm	4.60mm	24.13mm	6.22mm	10.67mm

Panel Hardware

Rubber Panel Gasket



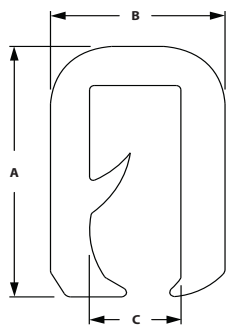
- Place in slot to secure panels or mesh
- Can easily be placed in slot after panel or mesh has been placed
- Can be ordered by the foot or 150' roll



Product Information

ITEM#	SERIES	MATERIAL	LENGTH	A	B
655111	10	Thermoplastic Elastomer	Per Foot	.208"	.362"
655113			150' Roll	.208"	.362"
655110	15 40		Per Foot	.311" 7.90mm	.547" 13.89mm
655112			150' Roll	.311" 7.90mm	.547" 13.89mm

Wire Edge Cover



- Applied to the edge of the wire mesh to prevent cuts
- Creates a clean and safe guarding
- Sold by the foot

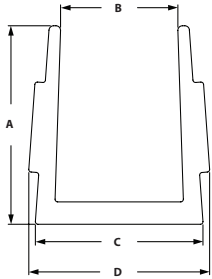


Product Information

ITEM#	COLOR	MATERIAL	LENGTH	A	B	C
655312	Black	PVC/Aluminum	Per Foot	.545" 13.80mm	.357" 9.00mm	.187" 4.75mm

Panel Hardware

Economy Plastic Panel Gasket

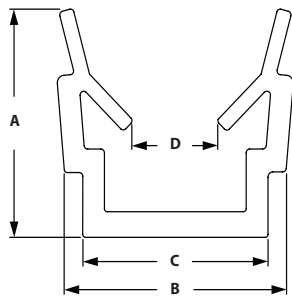


- 10 series gasket will accommodate 3/16" panels

Product Information

ITEM#	SERIES	MATERIAL	COLOR	LENGTH	A	B	C	D
655639	10	Polypropylene	Black	96"	.298"	.179"	.255"	.275"

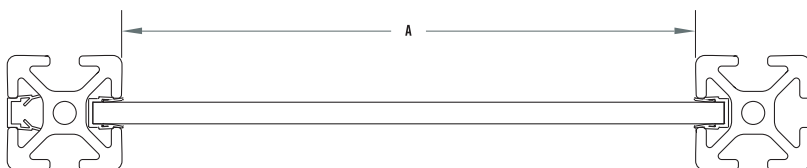
Deluxe Plastic Panel Gasket



- Recessed in slot to secure panels
- Deluxe gasket can be used as a slot cover
- 655827 only works with .236" (6mm) panels

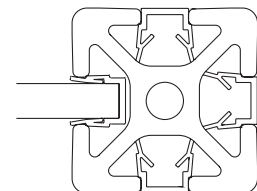
Product Information

ITEM#	SERIES	MATERIAL	COLOR	LENGTH	A	B	C	D
671621	20	PP	Black	78.74" (2 Meters)	6.26mm	6.00mm	5.00mm	1.50mm
655827	15 40		Black		.472" 12.00mm	.370" 9.40mm	.315" 8.00mm	.197" 5.00mm
655760			Yellow		.433" 11.00mm	.355" 9.00mm	.323" 8.20mm	.197" 5.00mm
655761			Natural		.433" 11.00mm	.355" 9.00mm	.323" 8.20mm	.197" 5.00mm



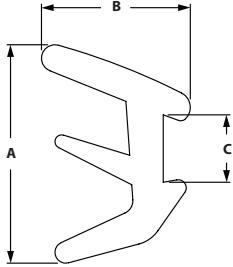
15 SERIES/ 40 SERIES
TO CALCULATE HEIGHT
ADD .75" TO "A"

10 SERIES
TO CALCULATE HEIGHT
ADD .50" TO "A"



Panel Hardware

Plug In Profile (Slot 8+10)

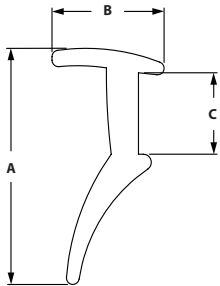


- Secure panels in the slot and fill the slot
- For panels 2-4mm for 8mm slots
- For panels 4-6mm for 10mm slots

Product Information

ITEM#	SERIES	MATERIAL	COLOR	LENGTH	A	B	C
671021	45	Plastic TPE	Black	Per Foot	18.00mm	10.50mm	4.70mm

Plug In Profile (Slot 5, 6, 8, 10)



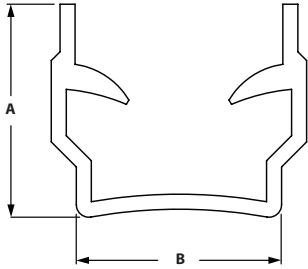
- Secure panels in the slot and fill the slot
- For panels 2-4mm for 8mm slots
- For panels 4-6mm for 10mm slots

Product Information

ITEM#	SERIES	MATERIAL	COLOR	LENGTH	A	B	C
671022	45	Plastic TPE	Black	Per Foot	13.40mm	6.50mm	4.70mm

Panel Hardware

Cover and Reduction Profile 8mm Slot

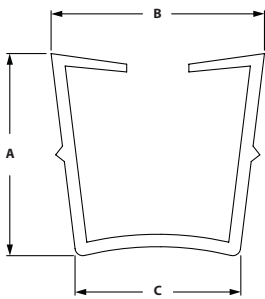


- 20 Series - panel thickness of 1-6mm
- 30 Series - panel thickness of 4-6mm

Product Information

ITEM#	SERIES	MATERIAL	COLOR	LENGTH	A	B
683766	20	Plastic TPE	Black	2 Meters	5.75mm	5.20mm
671023	30				8.80mm	8.20mm

Cover and Reduction Profile 10mm Slot



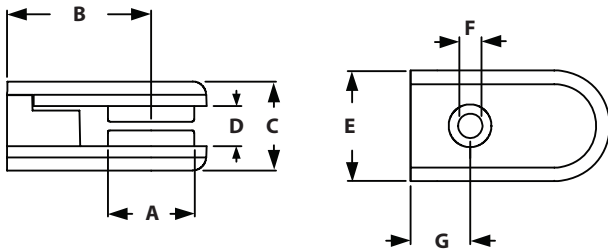
- To cover size 10 profile slots
- Secures panels with a thickness of 2-8mm

Product Information

ITEM#	SERIES	MATERIAL	COLOR	LENGTH	A	B	C
671024	45	Plastic TPE	Black	2 Meters	12.80mm	13.70mm	10.20mm

Panel Hardware

Glass Panel Clamp



- Simple and easy way to secure panels
- Gripped pads increase the strength and protect panel
- For panels .079" - .375" (2mm - 9.5mm)

Product Information

ITEM#	SERIES	MATERIAL	A	B	C	D	E	F	G
671043	10 15 40 30 45	Zinc Die-Cast	.768" 19.50mm	1.280" 32.50mm	.787" 20.00mm	.354" 9.00mm	.984" 25.00mm	.217" 5.50mm	.531" 13.50mm

Included Fasteners (Extrusion Slot)

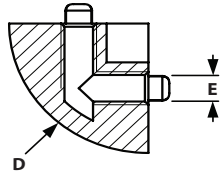
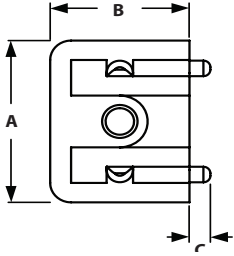
SERIES	BOLT	MISC.	QTY
ALL	M5 x 16mm SHCS	5 Rubber Pads	2

Recommended Fasteners

ITEM #	SERIES	BOLT	T-NUT	QTY
651781	10	10-32 x 1/2" SHCS	Drop-In	1
651782	15	10-32 x 5/8" SHCS	Drop-In	1
651783	30	M5 x 14mm BHSCS	Roll-In	1
651787	40	M5 x 16mm SHCS	Drop-In	1
651784	45	M5 x 18mm SHCS	Hammer Nut	1

Panel Hardware

Glass Panel Corner Connector



- Make corner connection with panels using 2 glass panel clamps

Product Information

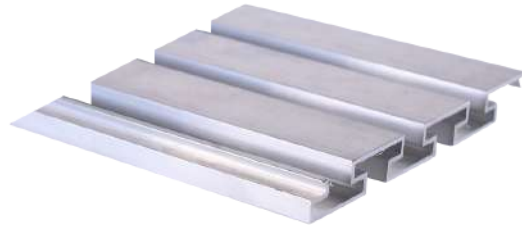
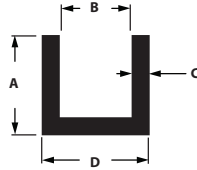
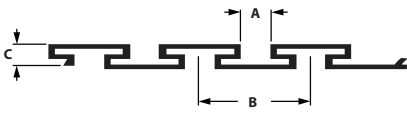
ITEM#	SERIES	MATERIAL	A	B	C	D	E
671044	10 15 40 30 45	Zinc Die-Cast	.985" 25.00mm	.787" 20.00mm	.118" 3.00mm	R20	M5

Included Fasteners (Extrusion Slot)

SERIES	BOLT	QTY
ALL	M5 x 12mm SHCS	2

Panel Hardware

Slatwall Panels and U Channel



- Custom size panels are available
- Round to the next full panel

Product Information

ITEM#	SERIES	MATERIAL	DESCRIPTION	LENGTH	A	B	C	D
599900	10 15	Aluminum	Slatwall Panel	12' 6"	.450"	1.500"	.495"	--
301901			U Channel	12'	.750"	.500"	.125"	.750"

Recommended Fasteners (10 Series)

ITEM #	DESCRIPTION	T-NUT	QTY
653273	10S to 15S 2 Hole Transition Strip	--	1
651130	1/4-20 x 1/2" FBHSCS	Economy	1
651129	5/16-18 x 11/16" FBHSCS	Economy	1

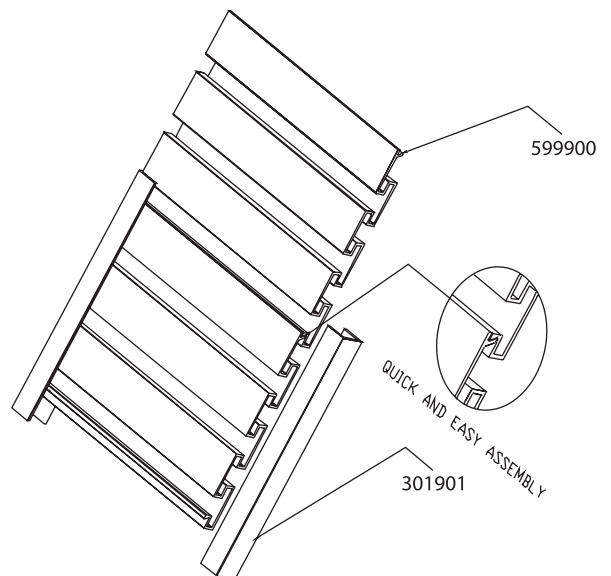
*651130 is for slatwall

Recommended Fasteners (15 Series)

ITEM #	DESCRIPTION	T-NUT	QTY
653141	15S 2 Hole Transition Strip	--	1
651129	5/16-18 x 11/16" FBHSCS	Economy	2

CALCULATION FORMULA FOR NUMBER OF PANELS NEEDED
(Desired Panel Height - 0.335)

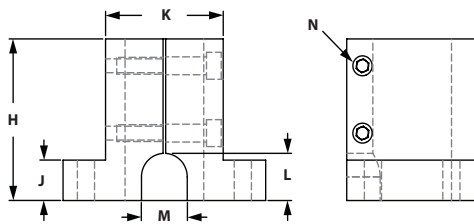
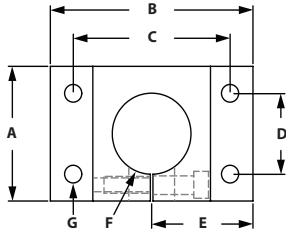
4.6



STANCHIONS SECTION

Stanchions

Single Shaft Base



Product Information

ITEM#	SERIES	FINISH	MATERIAL	A	B	C	D	E	F	G	H
659012	10	Clear	Aluminum	2.125"	3.000"	2.250"	1.000"	1.500"	1.004"	.257"	2.500"
659013	15			2.125"	3.000"	2.250"	1.000"	1.500"	1.004"	.328"	2.500"
659016				2.500"	3.875"	3.000"	1.500"	1.937"	1.505"	.328"	3.000"
659018				3.500"	4.750"	3.750"	1.500"	2.375"	2.005"	.328"	3.500"

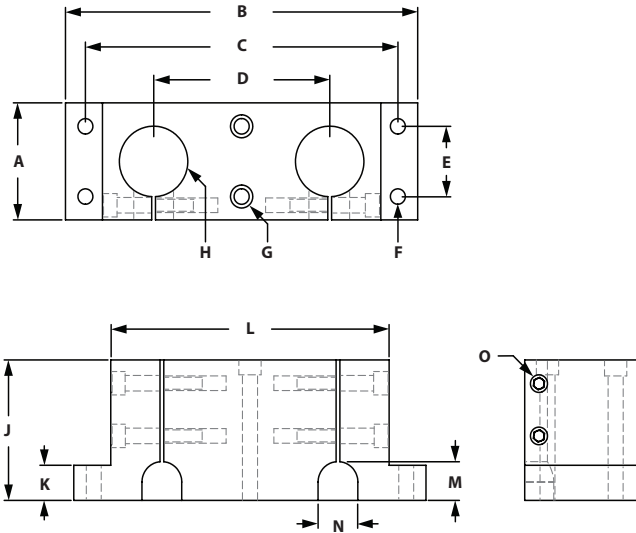
ITEM#	J	K	L	M	(BOLT) N
659012	.500"	1.500"	.625"	.625"	1/4-20 SHCS
659013	.500"	1.500"	.625"	.625"	1/4-20 SHCS
659016	.750"	2.250"	.875"	.875"	5/16-18 SHCS
659018	.750"	2.750"	.750"	1.250"	5/16-18 SHCS

Recommended Fasteners (Mount to Slot)

ITEM#	STANCHION	QTY.	BOLT	T-NUT
651117	659012	4	1/4-20 x 3/4" SHCS	Economy
651205	659013	4	5/16-18 x 7/8" SHCS	Economy
651482	659016	4	5/16-18 x 1-1/4" SHCS	Economy
651482	659018	4	5/16-18 x 1-1/4" SHCS	Economy

Stanchions

Double Shaft Base



Product Information

ITEM#	SERIES	FINISH	MATERIAL	A	B	C	D	E	F	G	H
659014	10	Clear	Aluminum	2.000"	6.500"	5.750"	3.500"	1.000"	.257"	.375"	1.004"
659015	15			2.000"	6.500"	5.750"	3.500"	1.500"	.328"	.375"	1.004"
659017				2.500"	7.750"	6.875"	3.875"	1.500"	.328"	.475"	1.505"
659020				3.500"	9.500"	8.500"	4.750"	1.500"	.328"	.475"	2.005"

ITEM#	J	K	L	M	N	(BOLT) O
659014	2.500"	.500"	5.000"	.625"	.620"	1/4-20 SHCS
659015	2.500"	.500"	5.000"	.625"	.620"	1/4-20 SHCS
659017	3.000"	.750"	6.125"	.825"	.875"	5/16-18 SHCS
659020	3.500"	.750"	7.500"	.750"	1.250"	5/16-18 SHCS

Recommended Fasteners (Mount to Slot)

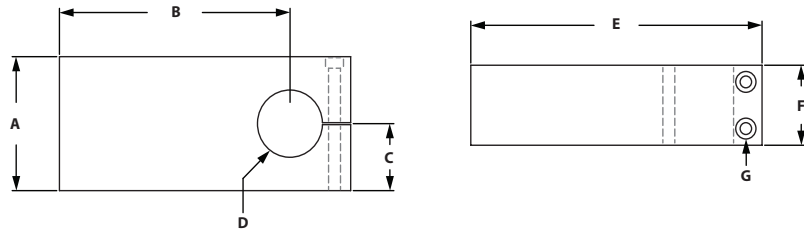
ITEM#	STANCHION	QTY.	BOLT	T-NUT
651117	659012	4	1/4-20 x 3/4" SHCS	Economy
651205	659013	4	5/16-18 x 7/8" SHCS	Economy
651482	659016	4	5/16-18 x 1-1/4" SHCS	Economy
651482	659018	4	5/16-18 x 1-1/4" SHCS	Economy

Recommended Fasteners (Mount to Slot)

ITEM#	QTY.	BOLT	T-NUT
651483	2	1/4-20 x 2-1/2" SHCS	Economy
651484	2	5/16-18 x 2-1/2" SHCS	Economy
651485	2	5/16-18 x 3" SHCS	Economy
651486	2	5/16-18 x 3-1/2" SHCS	Economy

Stanchions

Single Shaft Blank Mounting Plate

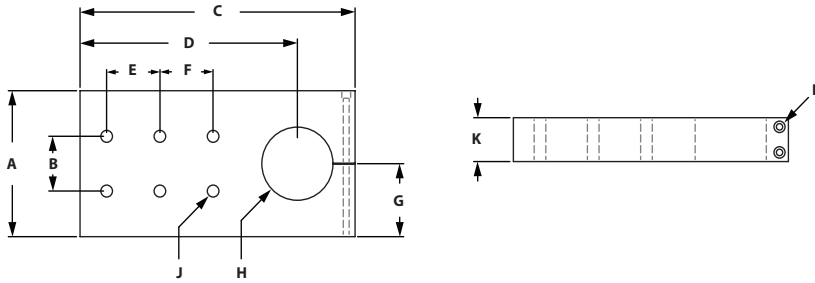


Product Information

ITEM#	SERIES	FINISH	MATERIAL	A	B	C	D	E	F	(BOLT) G
659023	10	Clear	Aluminum	2.000"	3.562"	1.000"	1.004"	4.500"	1.000"	1/4-20 SHCS
659026	15			3.000"	5.125"	1.500"	1.505"	6.500"	1.500"	5/16-18 SHCS
659028				4.000"	6.125"	2.000"	2.005"	7.750"	2.000"	5/16-18 SHCS

Stanchions

Single Shaft Pre-Drilled Mounting Plate



Product Information

ITEM#	SERIES	FINISH	MATERIAL	A	B	C	D	E	F	G
659024	10	Clear	Aluminum	2.000"	1.000"	4.500"	3.560"	1.000"	--	1.000"
659025	15			2.000"	1.500"	4.500"	3.562"	1.500"	--	1.000"
659027				3.000"	1.500"	6.500"	5.125"	1.500"	--	1.500"
659029				4.000"	1.500"	7.750"	6.125"	1.500"	1.500"	2.000"

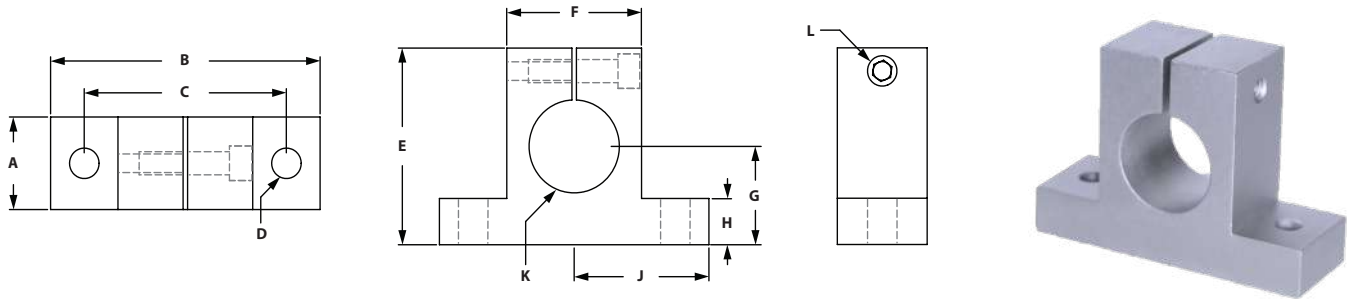
ITEM#	H	J	K	(BOLT) L
659024	1.004"	.257"	1.250"	1/4-20 SHCS
659025	1.004"	.328"	1.250"	5/16-18 SHCS
659027	1.505"	.328"	1.500"	5/16-18 SHCS
659029	2.005"	.328"	2.000"	5/16-18 SHCS

Recommended Fasteners (Mount to Slot)

ITEM#	STANCHION	QTY.	BOLT	T-NUT
651121	659024	4	1/4-20 x 1/2" SHCS	Economy
651583	659025	4	5/16-18 x 1-3/4" SHCS	Economy
651584	659027	4	5/16-18 x 2" SHCS	Economy
651585	659029	6	5/16-18 x 2-1/2" SHCS	Economy

Stanchions

Single Horizontal Base



Product Information

ITEM#	SERIES	FINISH	MATERIAL	A	B	C	D	E	F	G
659044	10	Clear	Aluminum	1.000"	3.000"	2.250"	.257"	2.125"	1.500"	1.062"
659045	15			1.000"	3.000"	2.250"	.328"	2.125"	1.500"	1.062"
659046				1.250"	3.875"	3.000"	.328"	2.500"	2.250"	1.125"
659047				1.500"	4.750"	3.750"	.328"	3.500"	2.750"	1.625"

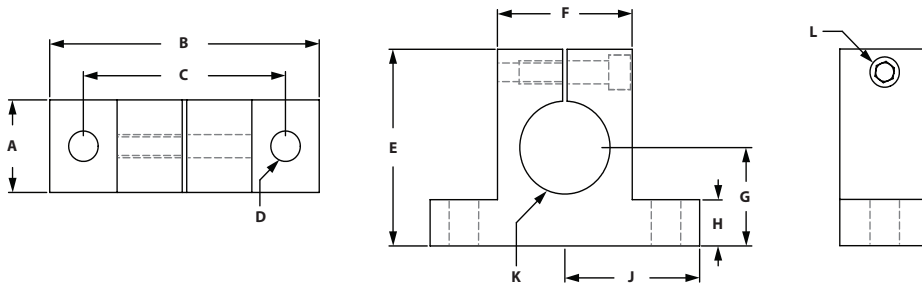
ITEM#	H	J	K	(BOLT) L
659044	.500"	1.500"	1.004"	1/4-20 SHCS
659045	.500"	1.500"	1.004"	5/16-18 SHCS
659046	.750"	1.937"	1.505"	5/16-18 SHCS
659047	1.000"	2.375"	2.005"	5/16-18 SHCS

Recommended Fasteners (Mount to Slot)

ITEM#	STANCHION	QTY.	BOLT	T-NUT
651117	659044	2	1/4-20 x 3/4" SHCS	Economy
651205	659045	2	5/16-18 x 7/8" SHCS	Economy
651482	659046	2	5/16-18 x 1-1/4" SHCS	Economy
651487	659047	2	5/16-18 x 1-1/2" SHCS	Economy

Stanchions

Horizontal Quick Clamp



Product Information

ITEM#	SERIES	FINISH	MATERIAL	A	B	C	D	E	F	G
659021	10	Clear	Aluminum	1.000"	3.000"	2.250"	.257"	2.125"	1.500"	1.062"
659022	15			1.000"	3.000"	2.250"	.328"	2.125"	1.500"	1.062"

ITEM#	H	J	K	(TAP) L
659021	.500"	1.500"	1.004"	1/4-20
659022	.500"	1.500"	1.004"	1/4-20

Included Fasteners

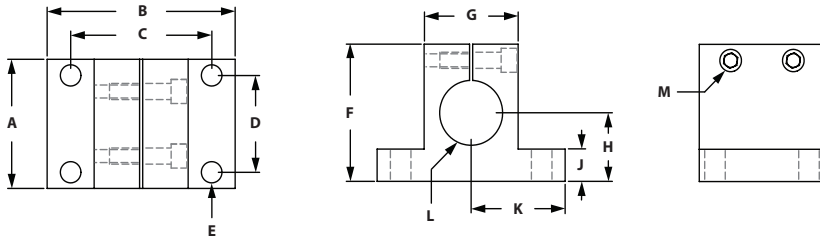
ITEM#	QTY.	DESCRIPTION
651649	1	Quick Clamp Handle
699965	1	Washer

Recommended Fasteners (Mount to Slot)

ITEM#	STANCHION	QTY.	BOLT	T-NUT
651117	659021	2	1/4-20 x 3/4" SHCS	Economy
651205	659022	2	5/16-18 x 7/8" SHCS	Economy

Stanchions

Double Horizontal Base



Product Information

ITEM#	SERIES	FINISH	MATERIAL	A	B	C	D	E	F	G
659049	10	Clear	Aluminum	2.000"	3.000"	2.250"	1.000"	.257"	2.125"	1.500"
659050	15			2.000"	3.000"	2.250"	1.500"	.328"	2.125"	1.500"
659051				2.500"	3.875"	3.000"	1.500"	.328"	2.500"	2.250"
659052				3.500"	4.750"	3.750"	1.500"	.328"	3.500"	2.750"

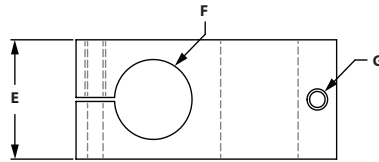
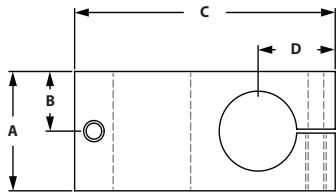
ITEM#	H	J	K	L	(BOLT) M
659044	1.062"	.500"	1.500"	1.004"	1/4-20 SHCS
659045	1.062"	.500"	1.500"	1.004"	1/4-20 SHCS
659046	1.125"	.750"	1.937"	1.505"	5/16-18 SHCS
659047	1.625"	1.000"	2.375"	2.005"	5/16-18 SHCS

Recommended Fasteners (Mount to Slot)

ITEM#	STANCHION	QTY.	BOLT	T-NUT
651117	659049	4	1/4-20 x 3/4" SHCS	Economy
651205	659050	4	5/16-18 x 7/8" SHCS	Economy
651482	659051	4	5/16-18 x 1-1/4" SHCS	Economy
651487	659052	4	5/16-18 x 1-1/2" SHCS	Economy

Stanchions

Quick Cross Clamp Stanchions



Product Information

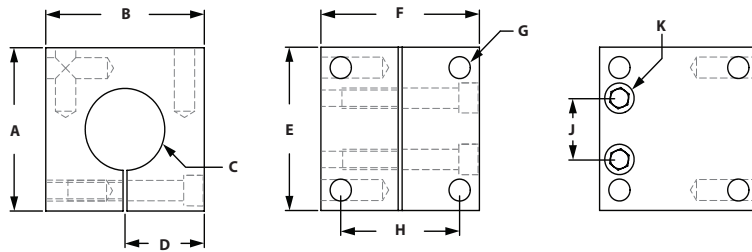
ITEM#	SERIES	FINISH	MATERIAL	A	B	C	D	E	F	(TAP) G
659019	10/15	Clear	Aluminum	1.500"	.750"	3.375"	1.000"	1.500"	1.004"	1/4-20

Included Fasteners

ITEM#	QTY.	DESCRIPTION
651649	2	Quick Clamp Handle
699965	2	Washer

Stanchions

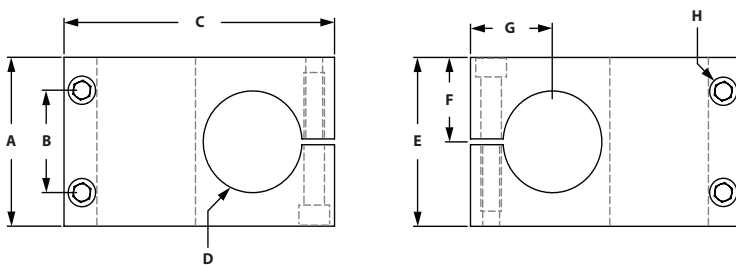
Single Shaft Mounting Block



Product Information

ITEM#	SERIES	FINISH	MATERIAL	A	B	C	D	E	F	(TAP) G	H	J	(BOLT) K
659030	15	Clear	Aluminum	2.000"	2.000"	1.004"	1.000"	2.000"	2.000"	5/16-18	1.500"	.750"	1/4-20 SHCS

Stanchion Cross Clamp

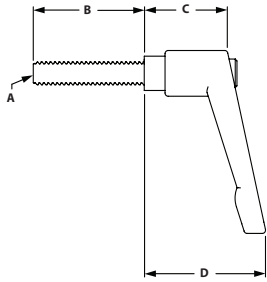


Product Information

ITEM#	SERIES	FINISH	MATERIAL	A	B	C	D	E	F	G	(BOLT) H
659031	15	Clear	Aluminum	2.000"	1.400"	3.125"	1.004"	2.000"	1.000"	1.000"	1/4-20 SHCS
659033				2.500"	1.750"	4.125"	1.505"	2.500"	1.250"	1.250"	1/4-20 SHCS
659035				3.500"	2.000"	5.500"	2.005"	3.500"	1.625"	1.750"	5/16-18 SHCS

Stanchions

Replacement Handles



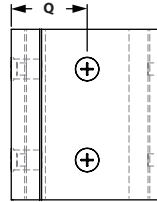
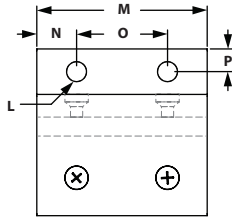
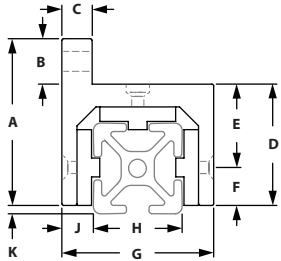
Product Information

ITEM#	SERIES	MATERIAL	A	B	C	D	E
651649	10/15	Black Nylon	1/4-20	1.250"	.938"	1.375"	1.750"

LINEAR MOTION SECTION

Economy Linear Bearings

Economy Single Flange Linear Bearing - Short



Product Information

ITEM#	SERIES	FINISH	MATERIAL	A	B	C	D	E	F	G	H
657150	10	Clear	Aluminum	1.968"	.656"	.312"	1.312"	.903"	.406"	1.625"	1.000"
657156	15			2.750"	.750"	.500"	2.000"	1.375"	.625"	2.500"	1.500"
657156	40			71.81mm	19.00mm	12.00mm	52.81mm	54.38mm	17.42mm	65.13mm	40.00mm

ITEM#	J	K	L	M	N	O	P	Q
657150	.312"	.094"	.257"	1.875"	.438"	1.000"	.343"	.813"
657156	.500"	.125"	.328"	2.812"	.656"	1.500"	.375"	1.250"
657156	12.32mm	2.58mm	8.33mm	75.00mm	17.50mm	40.00mm	9.50mm	32.56mm

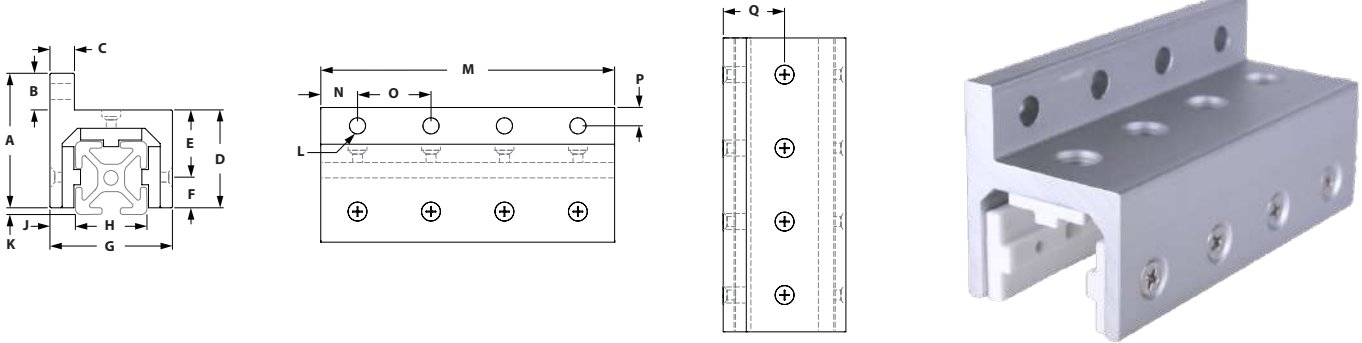
Recommended Fasteners

ITEM#	SERIES	BOLT	T-NUT	QTY
651236	10	1/4-20 x 5/8" SHCS	Economy	2
651205	15	5/16-18 x 7/8" SHCS	Economy	2
651367	40	M8 x 20mm SHCS	Economy	2

- Includes screws and self lubricating UHMW pads
- Intended for compression loads, see page 503 for load ratings
- See page 503 for machining service

Economy Linear Bearings

Economy Single Flange Linear Bearing - Long



Product Information

ITEM#	SERIES	FINISH	MATERIAL	A	B	C	D	E	F	G	H
657151	10	Clear	Aluminum	1.968"	.656"	.312"	1.312"	.903"	.406"	1.625"	1.000"
657157	15			2.750"	.750"	.500"	2.000"	1.375"	.625"	2.500"	1.500"

ITEM#	J	K	L	M	N	O	P	Q
657151	.312"	.094"	.257"	4.000"	.500"	1.000"	.343"	.813"
657157	.500"	.125"	.328"	6.000"	.750"	1.500"	.375"	1.250"

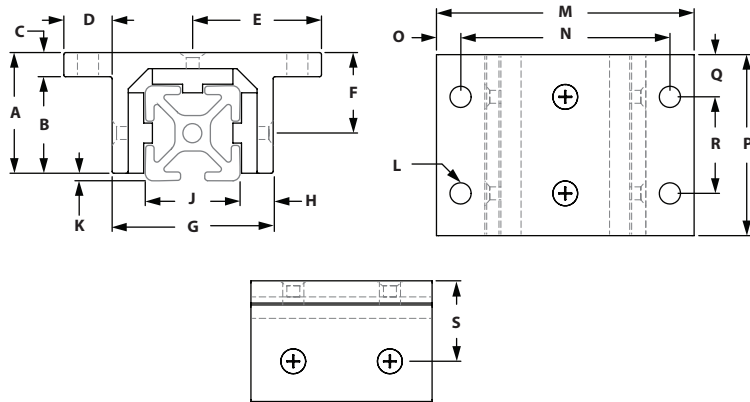
Recommended Fasteners

ITEM#	SERIES	BOLT	T-NUT	QTY
651236	10	1/4-20 x 5/8" SHCS	Economy	4
651205	15	5/16-18 x 7/8" SHCS	Economy	4

- Includes screws and self lubricating UHMW pads
- Intended for compression loads, see page 503 for load ratings
- See page 503 for machining service

Economy Linear Bearings

Economy Double Flange Single Wide Linear Bearing - Short



Product Information

ITEM#	SERIES	FINISH	MATERIAL	A	B	C	D	E	F	G	H
657152	10	Clear	Aluminum	1.218"	.906"	.312"	.656"	1.468"	.812"	1.625"	.312"
657148	15			1.875"	1.500"	.375"	.750"	2.000"	1.235"	2.500"	.500"
657167	40			50.00mm	41.00mm	9.00mm	19.00mm	51.56mm	32.56mm	65.13mm	12.32mm

ITEM#	J	K	L	M	N	O	P	Q	R	S
657152	1.000"	.094"	.257"	2.937"	2.250"	.343"	1.875"	.438"	1.000"	.812"
657148	1.500"	.125"	.328"	4.000"	3.250"	.375"	2.812"	.656"	1.500"	1.245"
657167	40.00mm	2.58mm	8.33mm	103.12mm	84.12mm	9.50mm	75.00mm	17.50mm	40.00mm	32.56mm

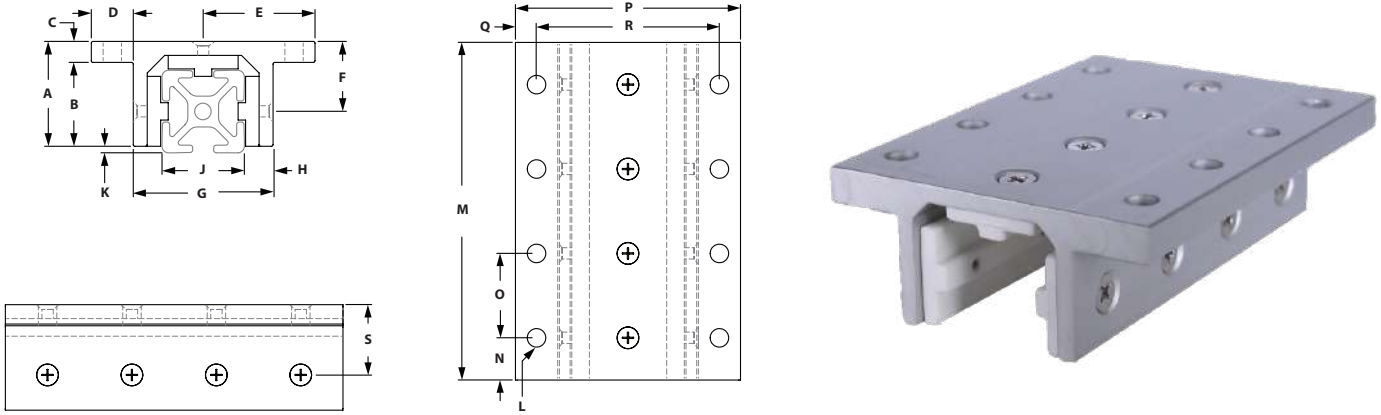
Recommended Fasteners

ITEM#	SERIES	BOLT	T-NUT	QTY
651236	10	1/4-20 x 5/8" SHCS	Economy	4
651205	15	5/16-18 x 7/8" SHCS	Economy	4
651367	40	M8 x 20mm SHCS	Economy	4

- Includes screws and self lubricating UHMW pads
- Intended for compression loads, see page 503 for load ratings
- See page 503 for machining service

Economy Linear Bearings

Economy Double Flange Single Wide Linear Bearing - Long



Product Information

ITEM#	SERIES	FINISH	MATERIAL	A	B	C	D	E	F	G	H
657153	10	Clear	Aluminum	1.218"	.906"	.312"	.656"	1.468"	.812"	1.625"	.312"
657158	15			1.875"	1.500"	.375"	.750"	2.000"	1.235"	2.500"	.500"

ITEM#	J	K	L	M	N	O	P	Q	R	S
657153	1.000"	.094"	.257"	4.000"	.500"	1.000"	2.937"	.343"	2.250"	.812"
657158	1.500"	.125"	.328"	6.000"	.750"	1.500"	4.000"	.375"	3.250"	1.245"

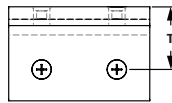
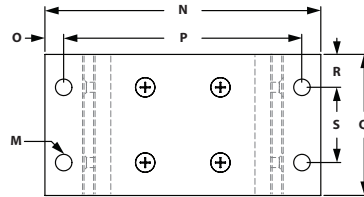
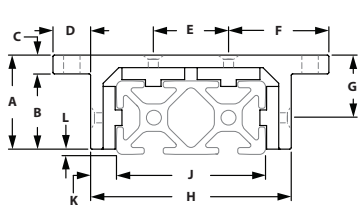
Recommended Fasteners

ITEM#	SERIES	BOLT	T-NUT	QTY
651236	10	1/4-20 x 5/8" SHCS	Economy	8
651205	15	5/16-18 x 7/8" SHCS	Economy	8

- Includes screws and self lubricating UHMW pads
- Intended for compression loads, see page 503 for load ratings
- See page 503 for machining service

Economy Linear Bearings

Economy Double Flange Double Wide Linear Bearing - Short



Product Information

ITEM#	SERIES	FINISH	MATERIAL	A	B	C	D	E	F	G	H
657154	10	Clear	Aluminum	1.218"	.906"	.312"	.656"	1.000"	1.468"	1.124"	2.630"
657147	15			1.875"	1.500"	.375"	.750"	1.500"	2.000"	1.245"	4.000"
657168	40			50.00mm	43.84mm	9.00mm	19.00mm	40.00mm	51.00mm	41.00mm	93.00mm

ITEM#	J	K	L	M	N	O	P	Q	R	S	T
657154	2.000"	.312"	.094"	.257"	3.937"	.343"	3.250"	1.875"	.438"	1.000"	.812"
657147	3.000"	.500"	.125"	.328"	5.500"	.375"	4.750"	2.812"	.656"	1.500"	1.245"
657168	80.00mm	12.32mm	2.58mm	8.33mm	143.30mm	9.50mm	121.00mm	75.00mm	17.50mm	40.00mm	32.56mm

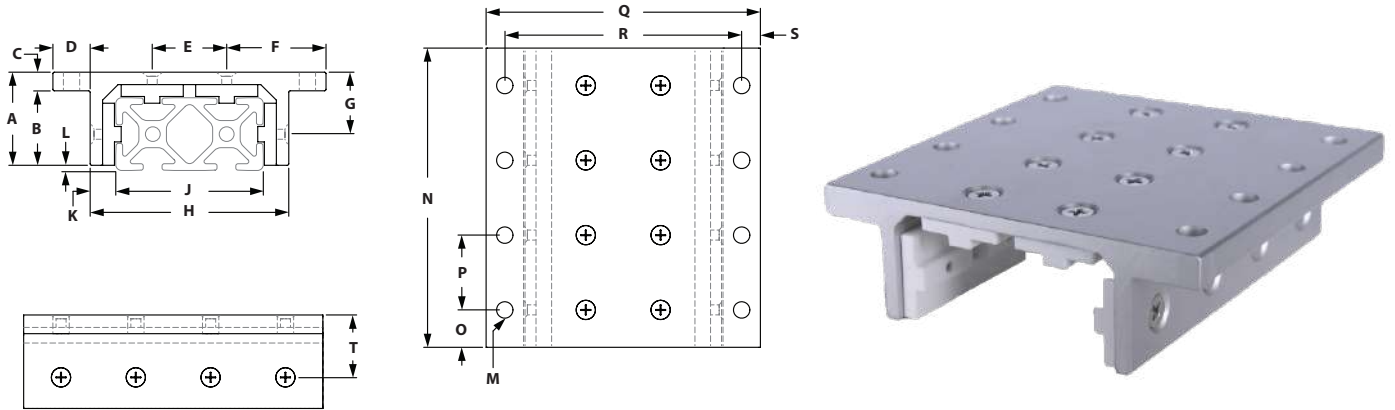
Recommended Fasteners

ITEM#	SERIES	BOLT	T-NUT	QTY
651236	10	1/4-20 x 5/8" SHCS	Economy	4
651205	15	5/16-18 x 7/8" SHCS	Economy	4
651367	40	M8 x 20mm SHCS	Economy	4

- Includes screws and self lubricating UHMW pads
- Intended for compression loads, see page 503 for load ratings
- See page 503 for machining service

Economy Linear Bearings

Economy Double Flange Double Wide Linear Bearing - Long



Product Information

ITEM#	SERIES	FINISH	MATERIAL	A	B	C	D	E	F	G	H
657155	10	Clear	Aluminum	1.218"	.906"	.312"	.656"	1.000"	1.468"	1.124"	2.630"
657149	15			1.875"	1.500"	.375"	.750"	1.500"	2.000"	1.610"	4.000"
657176	40			50.00mm	43.84mm	9.00mm	19.00mm	40.00mm	51.00mm	41.00mm	93.00mm

ITEM#	J	K	L	M	N	O	P	Q	R	S	T
657155	2.000"	.312"	.094"	.257"	4.000"	.500"	1.000"	3.937"	3.250"	.343"	.812"
657149	3.000"	.500"	.125"	.328"	6.000"	.750"	1.500"	4.750"	4.750"	.375"	1.245"
657176	80.00mm	12.32mm	2.58mm	8.33mm	160.00mm	17.50mm	40.00mm	143.31mm	124.31mm	9.50mm	32.56mm

Recommended Fasteners

ITEM#	SERIES	BOLT	T-NUT	QTY
651236	10	1/4-20 x 5/8" SHCS	Economy	8
651205	15	5/16-18 x 7/8" SHCS	Economy	8
651367	40	M8 x 20mm SHCS	Economy	8

- Includes screws and self lubricating UHMW pads
- Intended for compression loads, see page 503 for load ratings
- See page 503 for machining service

Deluxe Linear Bearings

Deluxe Linear Bearing Information

The shimless linear bearing provides accurate linear movement on TSLOTS extrusions. The bearing can be adjusted for the first time on an assembly or adjusted for wear while assembled to the application, providing that the adjustment screws are available to the adjustment tools. No shims, no disassembly, only accurate sliding.

1. Linear Bearing adjustable bearing pads are delivered in the open position. Slide the bearing on the extrusion to be used. (Fit will be loose, because of the open position.)

2. Using a 1/16 allen wrench for a 10 Series linear bearing, and a 3/32 allen wrench for 15 Series linear bearing, loosen the Flathead socket cap screws on each side of the linear bearing incrementally as follows. (Fig. #1)

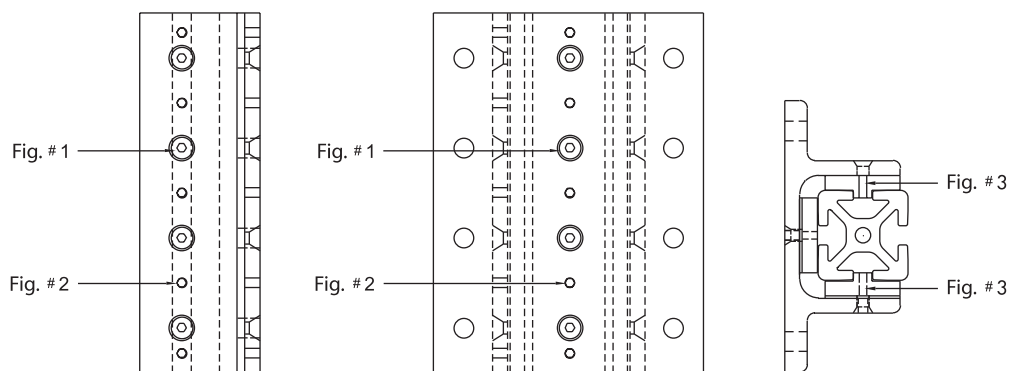
- 10 Series Bearing, 4-40 THREAD
- 15 Series Bearing, 8-32 THREAD

*Each flathead screw should be loosened the same amount, to provide even shimming on the extrusion.

3. Tighten each set screw, using a .050 allen wrench for a 10 Series linear Bearing, and a 5/64 allen wrench for a 15 Series linear bearing, until each flat head screw is properly seated in each countersink. Hint: The amount of turns per set screw will be the same amount as for the flat head socket cap screw. (Fig. #2)

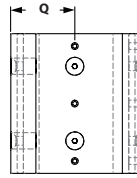
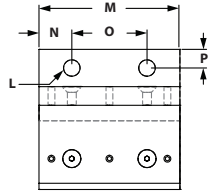
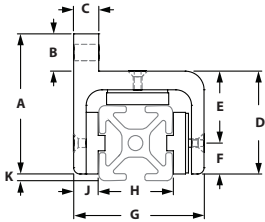
4. For fine tuning: Repeat steps 2 & 3.

*Replacement bearing pads are available through TSLOTS or your distributor. Due to patent requirements, TSLOTS requires all users of the aforementioned product to only replace bearing pads as per the drawing below. Only the opposing sides have keyed bearing pads. (Fig. #3)



Deluxe Linear Bearings

Deluxe Single Flange Linear Bearing - Short



Product Information

ITEM#	SERIES	FINISH	MATERIAL	A	B	C	D	E	F	G	H
657055	10	Clear	Aluminum	2.160"	.750"	.312"	1.410"	1.007"	.403"	1.701"	1.000"
657092	15			2.818"	.750"	.500"	2.068"	1.440"	.620"	2.600"	1.500"

ITEM#	J	K	L	M	N	O	P	Q
657055	.306"	.097"	.257"	1.880"	.438"	1.000"	.375"	.831"
657092	.490"	.130"	.328"	2.810"	.656"	1.500"	.375"	1.275"

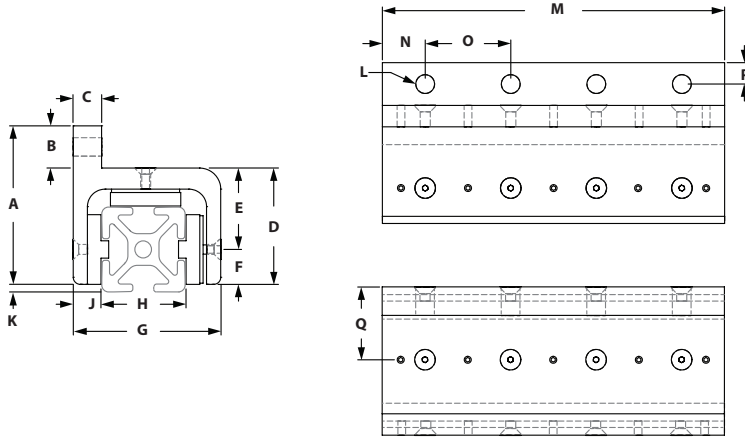
Recommended Fasteners

ITEM#	SERIES	BOLT	T-NUT	QTY
651236	10	1/4-20 x 5/8" SHCS	Economy	2
651205	15	5/16-18 x 7/8" SHCS	Economy	2

- Includes screws and self lubricating UHMW pads
- Intended for compression loads, see page 503 for load ratings
- See page 503 for machining service

Deluxe Linear Bearings

Deluxe Single Flange Linear Bearing - Long



Product Information

ITEM#	SERIES	FINISH	MATERIAL	A	B	C	D	E	F	G	H
657056	10	Clear	Aluminum	2.160"	.750"	.312"	1.410"	1.007"	.403"	1.701"	1.000"
657093	15			2.818"	.750"	.500"	2.068"	1.440"	.620"	2.600"	1.500"

ITEM#	J	K	L	M	N	O	P	Q
657056	.306"	.097"	.257"	4.000"	.500"	1.000"	.375"	.831"
657093	.490"	.130"	.328"	6.000"	.750"	1.500"	.375"	1.275"

Recommended Fasteners

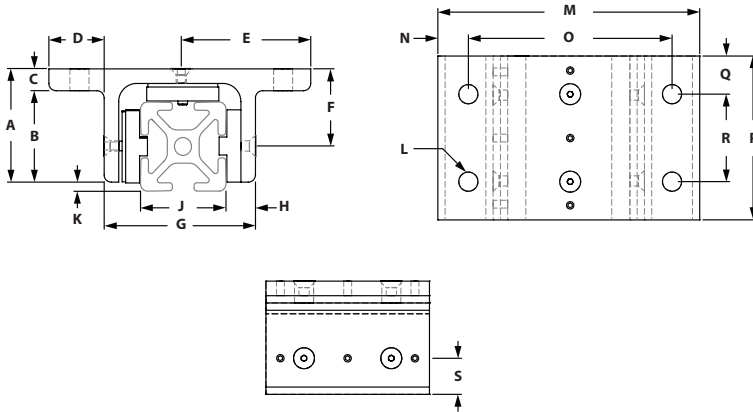
ITEM#	SERIES	BOLT	T-NUT	QTY
651236	10	1/4-20 x 5/8" SHCS	Economy	4
651205	15	5/16-18 x 7/8" SHCS	Economy	4

- Includes screws and self lubricating UHMW pads
- Intended for compression loads, see page 503 for load ratings
- See page 503 for machining service

LINEAR MOTION

Deluxe Linear Bearings

Deluxe Double Flange Single Wide Linear Bearing - Short



Product Information

ITEM#	SERIES	FINISH	MATERIAL	A	B	C	D	E	F	G	H
657059	10	Clear	Aluminum	1.316"	1.004"	.312"	.780"	1.610"	.913"	1.701"	.306"
657097	15			1.943"	1.568"	.500"	.950"	2.225"	1.323"	2.600"	.490"

ITEM#	J	K	L	M	N	O	P	Q	R	S
657059	1.000"	.097"	.257"	3.260"	.360"	2.500"	1.880"	.438"	1.000"	.403"
657097	1.500"	.130"	.328"	4.500"	.475"	3.500"	2.810"	.656"	1.500"	.620"

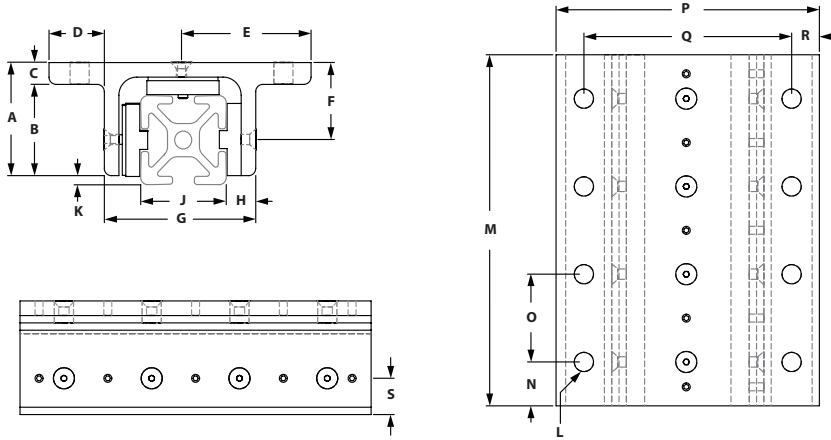
Recommended Fasteners

ITEM#	SERIES	BOLT	T-NUT	QTY
651236	10	1/4-20 x 5/8" SHCS	Economy	4
651205	15	5/16-18 x 7/8" SHCS	Economy	4

- Includes screws and self lubricating UHMW pads
- Intended for compression loads, see page 503 for load ratings
- See page 503 for machining service

Deluxe Linear Bearings

Deluxe Double Flange Single Wide Linear Bearing - Long



Product Information

ITEM#	SERIES	FINISH	MATERIAL	A	B	C	D	E	F	G	H
657060	10	Clear	Aluminum	1.316"	1.004"	.312"	.780"	1.610"	.913"	1.701"	.306"
657098	15			1.943"	1.568"	.500"	.950"	2.225"	1.323"	2.600"	.490"

ITEM#	J	K	L	M	N	O	P	Q	R	S
657060	1.000"	.097"	.257"	4.000"	.500"	1.000"	3.260"	2.500"	.360"	.403"
657098	1.500"	.130"	.328"	6.000"	.750"	1.500"	4.500"	3.500"	.475"	.620"

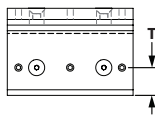
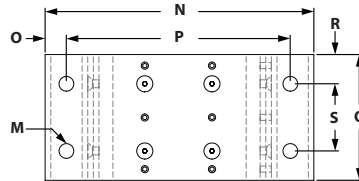
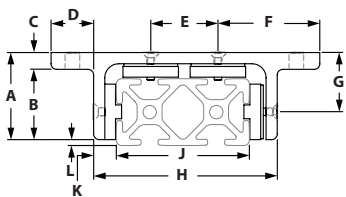
Recommended Fasteners

ITEM#	SERIES	BOLT	T-NUT	QTY
651236	10	1/4-20 x 5/8" SHCS	Economy	8
651205	15	5/16-18 x 7/8" SHCS	Economy	8

- Includes screws and self lubricating UHMW pads
- Intended for compression loads, see page 503 for load ratings
- See page 503 for machining service

Deluxe Linear Bearings

Deluxe Double Flange Double Wide Linear Bearing - Short



Product Information

ITEM#	SERIES	FINISH	MATERIAL	A	B	C	D	E	F	G	H
657057	10	Clear	Aluminum	1.316"	1.004"	.312"	.772"	1.000"	1.610"	.913"	2.707"
657095	15			1.943"	1.568"	.500"	.950"	1.500"	2.250"	1.323"	4.100"

ITEM#	J	K	L	M	N	O	P	Q	R	S	T
657057	2.000"	.306"	.097"	.257"	4.250"	.360"	3.490"	1.880"	.438"	1.000"	.403"
657095	3.000"	.490"	.130"	.328"	6.000"	.500"	5.000"	2.812"	.656"	1.500"	.620"

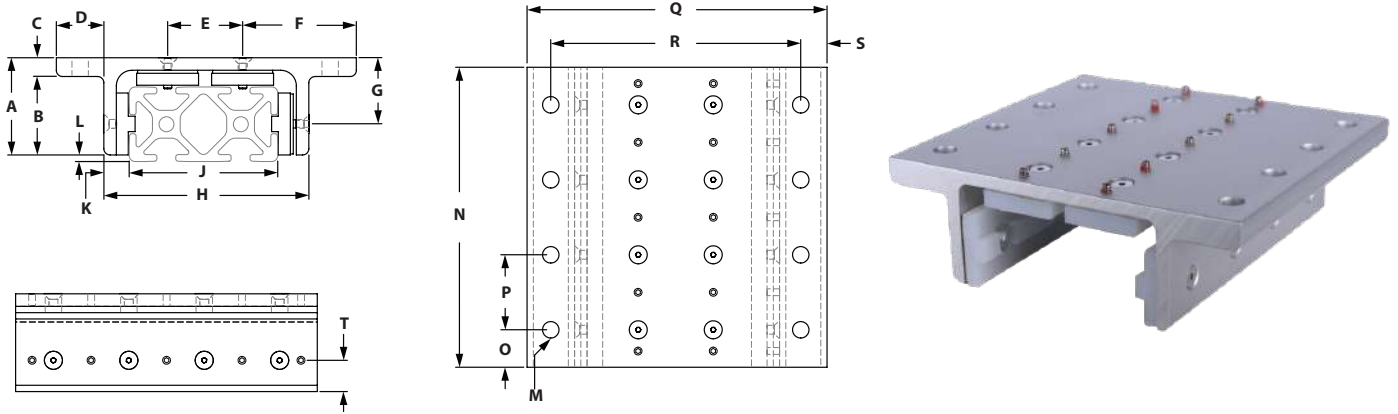
Recommended Fasteners

ITEM#	SERIES	BOLT	T-NUT	QTY
651236	10	1/4-20 x 5/8" SHCS	Economy	4
651205	15	5/16-18 x 7/8" SHCS	Economy	4

- Includes screws and self lubricating UHMW pads
- Intended for compression loads, see page 503 for load ratings
- See page 503 for machining service

Deluxe Linear Bearings

Deluxe Double Flange Double Wide Linear Bearing - Long



Product Information

ITEM#	SERIES	FINISH	MATERIAL	A	B	C	D	E	F	G	H
657058	10	Clear	Aluminum	1.316"	1.004"	.312"	.772"	1.000"	1.610"	.913"	2.707"
657096	15			1.943"	1.568"	.375"	.950"	1.500"	2.250"	1.323"	4.100"

ITEM#	J	K	L	M	N	O	P	Q	R	S	T
657058	2.000"	.306"	.097"	.257"	4.00"	.438"	1.000"	4.250"	3.490"	.360"	.403"
657096	3.000"	.490"	.130"	.328"	6.000"	.750"	1.5000"	6.000"	5.000"	.475"	.620"

Recommended Fasteners

ITEM#	SERIES	BOLT	T-NUT	QTY
651236	10	1/4-20 x 5/8" SHCS	Economy	8
651205	15	5/16-18 x 7/8" SHCS	Economy	8

- Includes screws and self lubricating UHMW pads
- Intended for compression loads, see page 503 for load ratings
- See page 503 for machining service

Linear Bearing Machining

Linear Bearing Machining Services

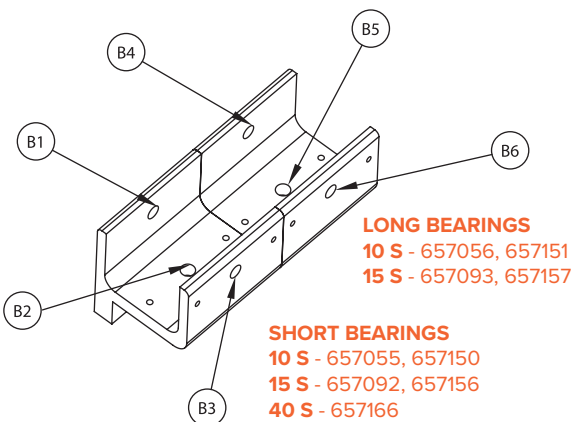
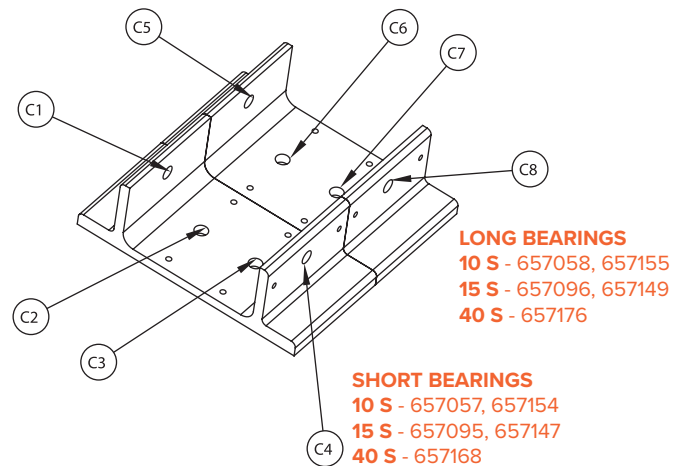
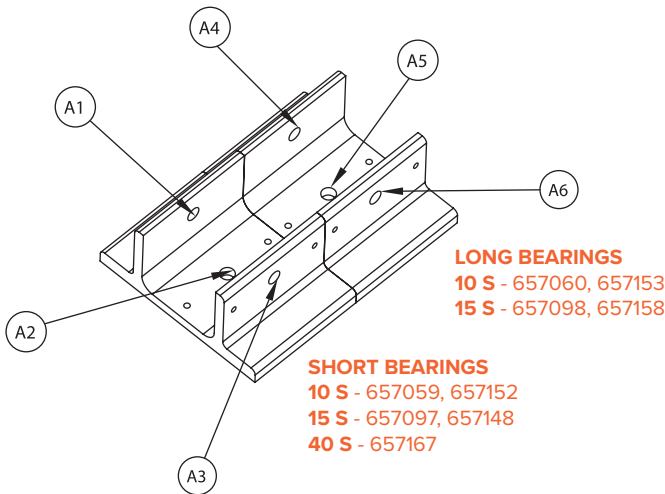


- For deluxe linear bearings, we recommend applying brake holes on the side without the set screw, if possible.
- To order linear bearings machining services, specify the linear bearing, the machining service and the brake hole location.
- When ordering linear bearing machining services, make sure the linear bearing and the machining service are both the same series.

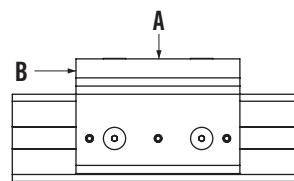
Example - 657095 - 660092 @ C4

Product Information

ITEM#	SERIES	DESCRIPTION
660093	10	Brake Machining Services (.281) Hole
660092	15 40	Brake Machining Services (.328) Hole



Linear Bearing Load Ratings



LINEAR BEARING LOAD RATINGS

SERIES	LOAD A
10 S	375 lbs.
15 S	500 lbs.
40 S	500 lbs.

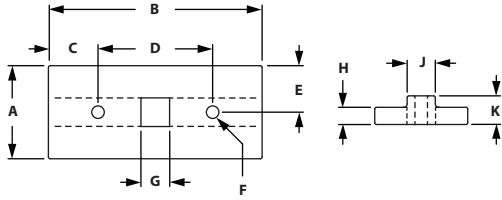
FORCE B

Force to move = 45 lbs.
 Force to move = 60 lbs.
 Force to move = 60 lbs.

**Values are recommended load ratings not to be used for design purposes.*

Linear Bearing Hardware

Economy Bearing Replacement Pads

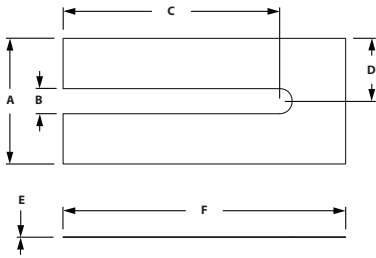


- Low friction to create better linear motion
- Single keyed
- Pre-machined holes for easy mounting

Product Information

ITEM#	SERIES	MATERIAL	A	B	C	D	E	F	G	H	J	K
657075	10	UHMW	.812"	1.865"	.433"	1.000"	.406"	.109"	.250"	.150"	.246"	.250"
657127	15		1.250"	2.770"	.635"	1.500"	.625"	.125"	.312"	.243"	.312"	.375"
657177	40		31.75mm	74.12mm	17.06mm	40.00mm	15.88mm	3.18mm	7.92mm	6.17mm	7.92mm	9.53mm

Linear Bearing Shim Stock Pads



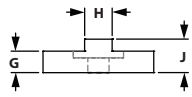
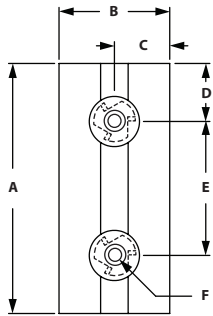
- Creates precise fit
- Loosen bearing and insert shim between bearing and pad

Product Information

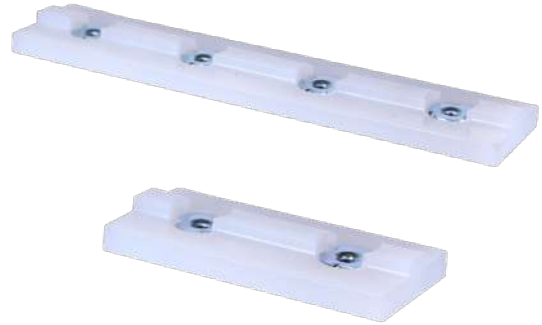
ITEM#	SERIES	MATERIAL	A	B	C	D	E	F
657073	10	Mylar	.812"	.175"	1.500"	.406"	.005"	1.875"
657123	15		1.250"	.250"	2.156"	.625"	.005"	2.812"
	40		31.75mm	6.35mm	54.76mm	15.88mm	0.13mm	71.42mm

Linear Bearing Hardware

Deluxe Bearing Replacement Pads - Keyed



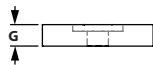
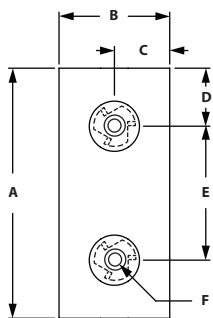
- Low friction to create better linear motion
- Single keyed
- Pre-machined holes for easy mounting



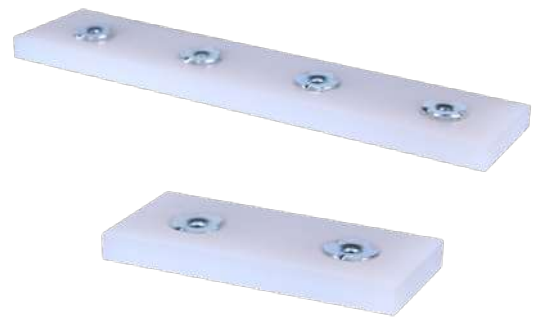
Product Information

ITEM#	SERIES	MATERIAL	LENGTH	A	B	C	D	E	F	G	H	J
657135	10	UHMW	Short	1.870"	.806"	.403"	.435"	1.000"	8-32	.150"	.246"	.250"
657136			Long	3.950"	.806"	.403"	.475"	1.000"	8-32	.150"	.246"	.250"
657139	15		Short	2.800"	1.240"	.620"	.650"	1.500"	8-32	.240"	.312"	.375"
657140			Long	5.950"	1.287"	.644"	.725"	1.500"	8-32	.240"	.312"	.375"

Deluxe Bearing Replacement Pads - Flat



- Low friction to create better linear motion
- Pre-machined holes for easy mounting

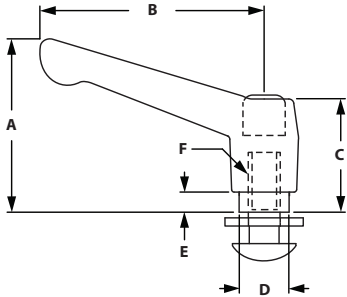


Product Information

ITEM#	SERIES	MATERIAL	LENGTH	A	B	C	D	E	F	G
657133	10	UHMW	Short	1.870"	.806"	.403"	.435"	1.000"	8-32	.190"
657134			Long	3.950"	.806"	.403"	.475"	1.000"	8-32	.190"
657137	15		Short	2.800"	1.240"	.620"	.650"	1.500"	8-32	.240"
657138			Long	5.950"	1.240"	.644"	.725"	1.500"	8-32	.240"

Linear Bearing Brake Kits

L-Handle Brake Kit

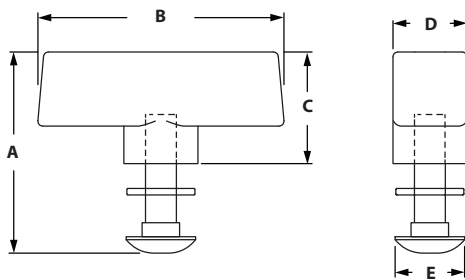


- Adjustable brake kit that can be added to any bearing
- Quick release to allows movement and easy to secure to semi-permanent position
- Machining required for linear bearing

Product Information

ITEM#	SERIES	MATERIAL	A	B	C	D	E	F
657106	10	Nylon	1.380"	1.770"	.960"	.390"	.160"	1/4-20
657079	15 40		2.170" 55.20mm	3.070" 78.00mm	1.420" 36.07mm	.630" 16.00mm	.310" 7.87mm	5/16-18

T-Handle Brake Kit



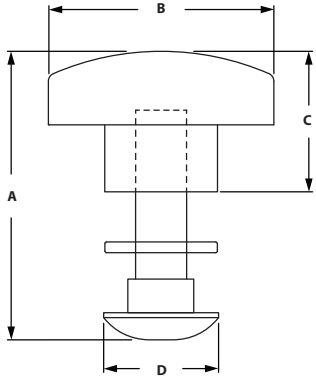
- Adjustable brake kit that can be added to any bearing
- Quick release to allows movement and easy to secure to semi-permanent position
- Machining required for linear bearing

Product Information

ITEM#	SERIES	MATERIAL	A	B	C	D	E
657080	15 40	Polypropylene	2.036" 51.71mm	2.491" 63.27mm	1.130" 28.70mm	.750" 19.05mm	.703" 17.86mm

Linear Bearing Brake Kits

Star Handle Brake Kit

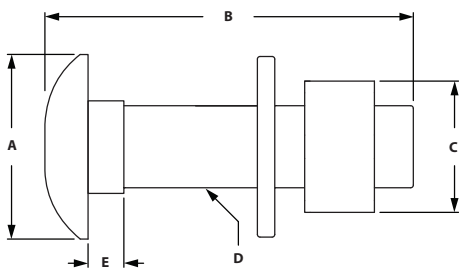


- Adjustable brake kit that can be added to any bearing
- Quick release to allow movement and easy to secure to semi-permanent position
- Machining required for linear bearing

Product Information

ITEM#	SERIES	MATERIAL	A	B	C	D
657081	15 40	Polypropylene	1.766" 44.86mm	1.380" 35.05mm	.860" 21.84mm	.703" 17.86mm

Hex Nut Brake Kit



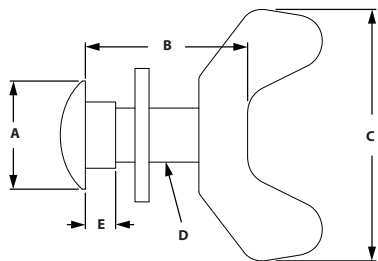
- Adjustable brake kit that can be added to any bearing
- Tightens to secure locking capability
- Machining required for linear bearing

Product Information

ITEM#	SERIES	A	B	C	D	E
657107	10	.500"	.865"	.438"	1/4-20	.150"
657082	15 40	.704" 17.88mm	1.416" 35.97mm	.563" 14.30mm	5/16-18	.172" 4.37mm

Linear Bearing Brake Kits

Wing Nut Brake Kit



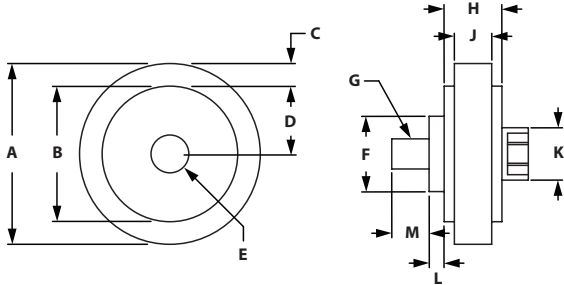
- Adjustable brake kit that can be added to any bearing
- Tightens to secure locking capability
- Machining required for linear bearing

Product Information

ITEM#	SERIES	A	B	C	D	E
657108	10	.500"	.865"	1.158"	1/4-20	.150"
657083	15 40	.703"	1.416"	1.375"	5/16-18	.150"
		17.86mm	35.97mm	34.93mm		3.81mm

Roller Wheels

Economy Roller Wheel with Brass Bushing



- Use for guided linear motion
- Mounts to extrusion end or in slot
- Economy brass bushing

Product Information

ITEM#	SERIES	LOAD	MATERIAL	A	B	C	D	E	F	G	H
655222	10	50 lbs.	Nylon	1.500"	1.125"	.188"	.563"	.314"	.625"	1/4-20	.480"
655224	15	75 lbs.		2.000"	1.625"	.188"	.812"	.375"	.750"	5/16-18	.720"
655223	10 to 15	75 lbs.		1.500"	1.125"	.188"	.563"	.314"	.625"	1/4-20	.480"

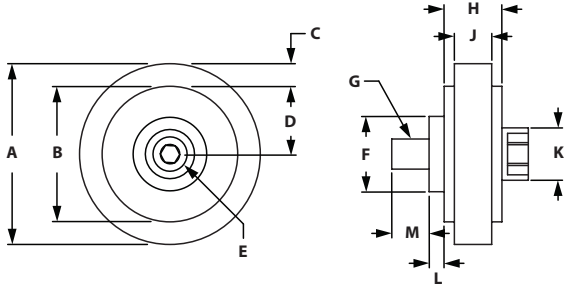
ITEM#	J	K	L	M
655222	.240"	.435"	.125"	.310"
655224	.310"	.562"	.125"	.375"
655223	.310"	.435"	.125"	.310"

Included Fasteners

ROLLER#	SERIES	BOLT	T-NUT	WASHER
655222	10	1/4-20 Shoulder Bolt	Economy	Yes
655224	15	5/16-18 Shoulder Bolt	Economy	Yes
655223	10 to 15	1/4-20 Shoulder Bolt	Economy	Yes

Roller Wheels

Deluxe Roller Wheel with Ball Bearing



- Use for guided linear motion
- Mounts to extrusion end or in slot
- Deluxe ball bearing

Product Information

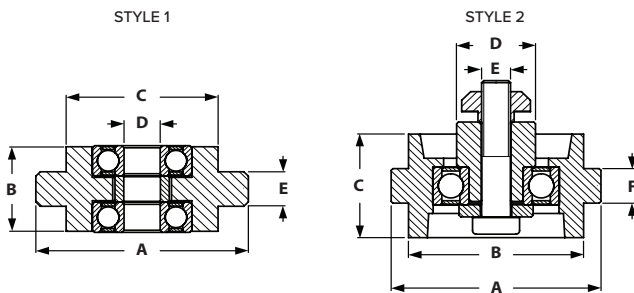
ITEM#	SERIES	LOAD	MATERIAL	A	B	C	D	E	F	G	H
655221	15	100 lbs.	Nylon	2.000"	1.625"	.188"	.812"	.375"	.750"	5/16-18	.720"

ITEM#	J	K	L	M
655224	.310"	.562"	.125"	.375"

Included Fasteners

ROLLER#	SERIES	BOLT	T-NUT	WASHER
655221	15	5/16-18 Shoulder Bolt	Economy	Yes

Rollers



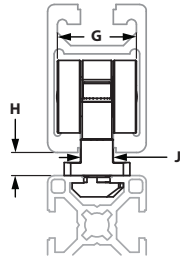
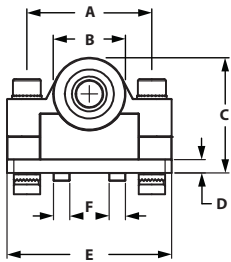
- To guide moving parts in the slot to the extrusion

Product Information

ITEM#	SERIES	STYLE	MATERIAL	A	B	C	D	E	F
671027	30	1	Nylon	39.00mm	17.60mm	25.80mm	6.00mm	8.00mm	--
671028	45	1	Nylon	39.00mm	17.60mm	25.80mm	6.00mm	10.00mm	--
671029	45	1	Nylon	47.00mm	19.60mm	33.60mm	8.00mm	10.00mm	--
671030	45	2	Nylon	58.00mm	48.40mm	30.00mm	21.80mm	M8	10.00mm

Roller Wheels

C-Channel Sliding Door Roller



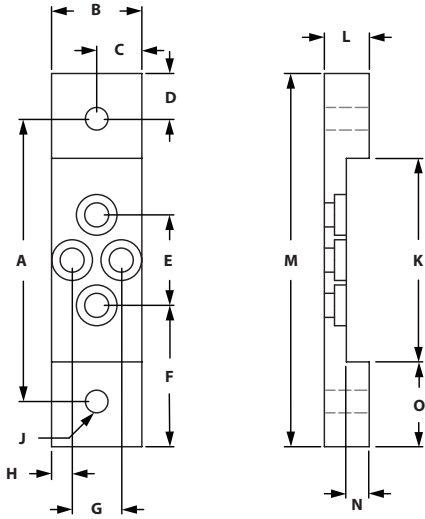
- Movable suspension for sliding doors built for extrusion # 670086
- Used with 8mm B-Series extrusion slots
- Hardware included

Product Information

ITEM#	SERIES	MATERIAL	A	B	C	D	E	F	G	H	J
671724	30	Nylon	5.00mm	22.00mm	35.00mm	4.00mm	50.00mm	8.00mm	24.00mm	6.00mm	10.00mm

Roller Wheels

Roller Wheel Bracket



- Ideal for framed doors
- Assembly part numbers include roller wheels
- Fasteners included

Product Information

ITEM#	SERIES	FOR EXTRUSION	MATERIAL	A	B	C	D	E	F	G	H
655472	10	1010	Aluminum	2.125"	1.000"	.500"	.500"	.669"	1.228"	.544"	.228"
655474		1020		3.125"	1.000"	.500"	.500"	1.000"	1.562"	.544"	.228"
655476	15	1515		3.125"	1.500"	.750"	.750"	.860"	1.883"	.735"	.383"
655479		1530		4.625"	1.500"	.750"	.750"	1.500"	2.313"	.735"	.383"

ITEM#	J	K	L	M	N	O
655472	1/4-20	1.250"	.500"	3.125"	.255"	.938"
655474	1/4-20	2.250"	.500"	4.125"	.255"	.938"
655476	5/16-18	1.750"	.750"	4.625"	.390"	1.438"
655479	5/16-18	3.250"	.750"	6.125"	.390"	1.438"

Included Fasteners

SERIES	BOLT	T-NUT	QTY
10	1/4-20 x 3/8" LHSCS	Standard	2
15	5/16-18 x 5/8" LHSCS	Standard	2

Roller Wheels

Roller Wheel Assemblies

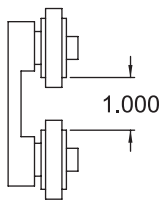


- Ideal for framed doors
- Assembly part numbers include roller wheels
- Fasteners included

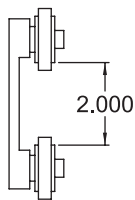
Product Information

ITEM#	SERIES	FOR EXTRUSION	ROLLER	BRACKET	QTY	WHEEL	QTY
655473	10	1010	Economy	655472	1	655222	2
655475		1020		655474	1	655222	2
655477	15	1515	Deluxe	655476	1	655221	2
655478		1515	Economy	655476	1	655224	2
655480		1530	Deluxe	655479	1	655221	2
655481		1530	Economy	655479	1	655224	2

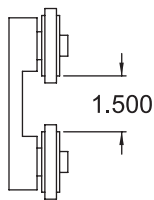
655473



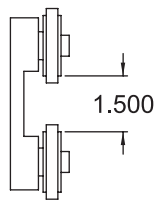
655475



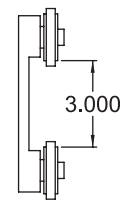
655477



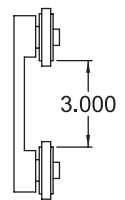
655478



655480



655481



Included Fasteners

ITEM #'s	SERIES	BOLT	T-NUT	QTY
651474 & 651075	10	1/4-20 x 3/8" LHSCS	Economy	2
699955 & 651074	15	5/16-18 x 5/8" LHSCS	Economy	2

HYDRAULIC LIFTING SYSTEMS SECTION

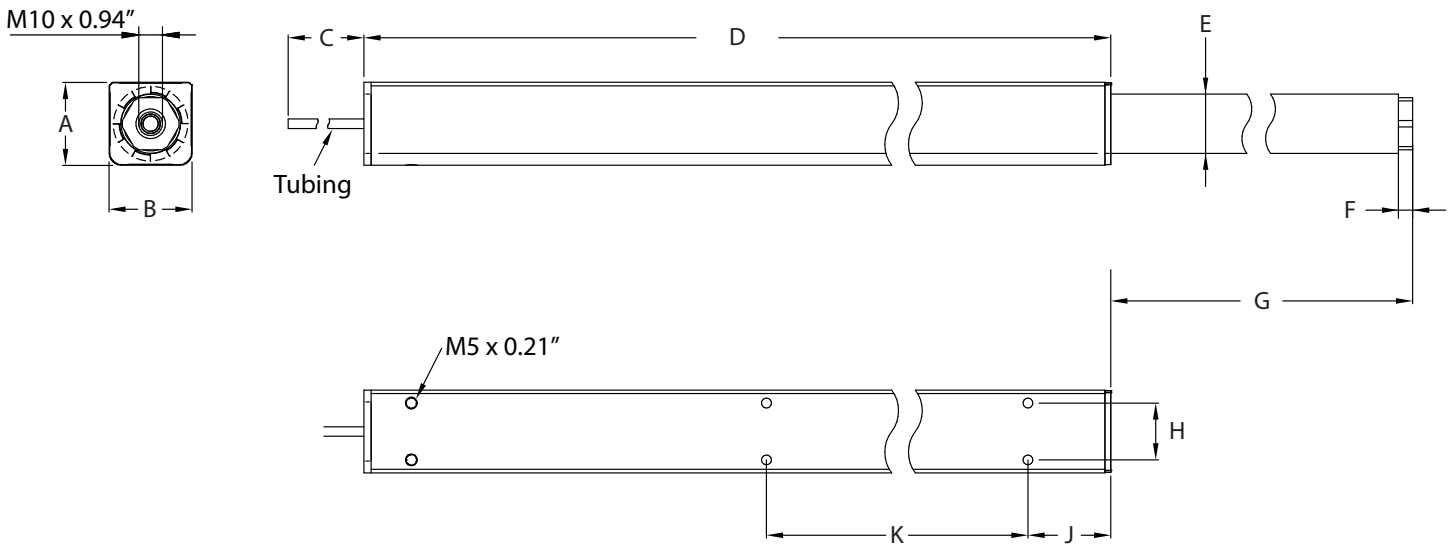
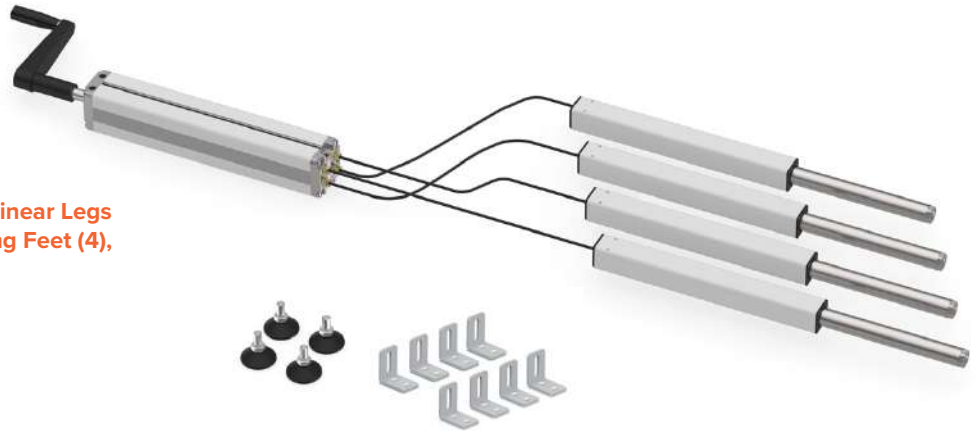
Lift Systems

Hand Crank Lift System

Material Specs

- Max Load: 992 lbs. (450 kg)
- Max Stroke: 11.81" (300mm)
- Lifting Speed: 0.2" (5mm) per crank revolution
- Retracted Height: 17.4" (442mm)
- Extended Height: 29.2" (742mm)
- Kit Weight: 29lbs (13 kg)
- Dimensions: 35" x 12" x 9"

- **Kit Includes: Hydraulic Pump (1), Linear Legs (4), Mounting Brackets (8), Leveling Feet (4), & tubing mouting hardware (1).**



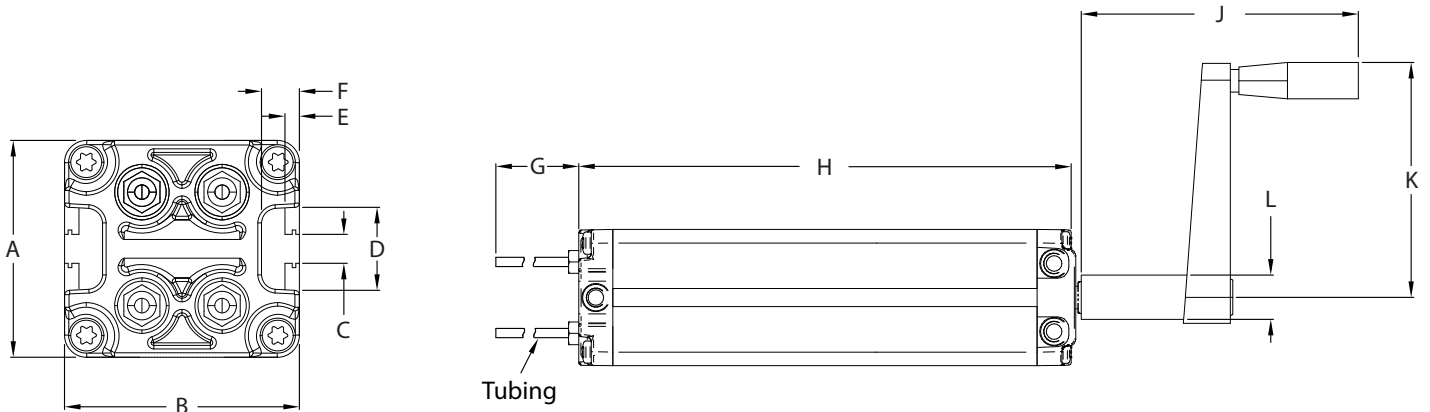
Linear Legs - Product Information

ITEM#	SERIES	MATERIAL	A	B	C	D	E	F	G	H	J	K
671792	15 40 30 45	Aluminum & Steel	1.380" 35.02mm	1.380" 35.02mm	118.000" 2997.0mm	17.520" 445.00mm	.980" 24.90mm	.240" 6.10mm	11.810" 300.00mm	.940" 23.88mm	1.380" 35.02mm	9.450" 240.03mm

HYDRAULIC LIFT SYSTEMS

Lift Systems

Hand Crank Lift System (Continued)



Hand Crank Hydraulic Pump - Product Information

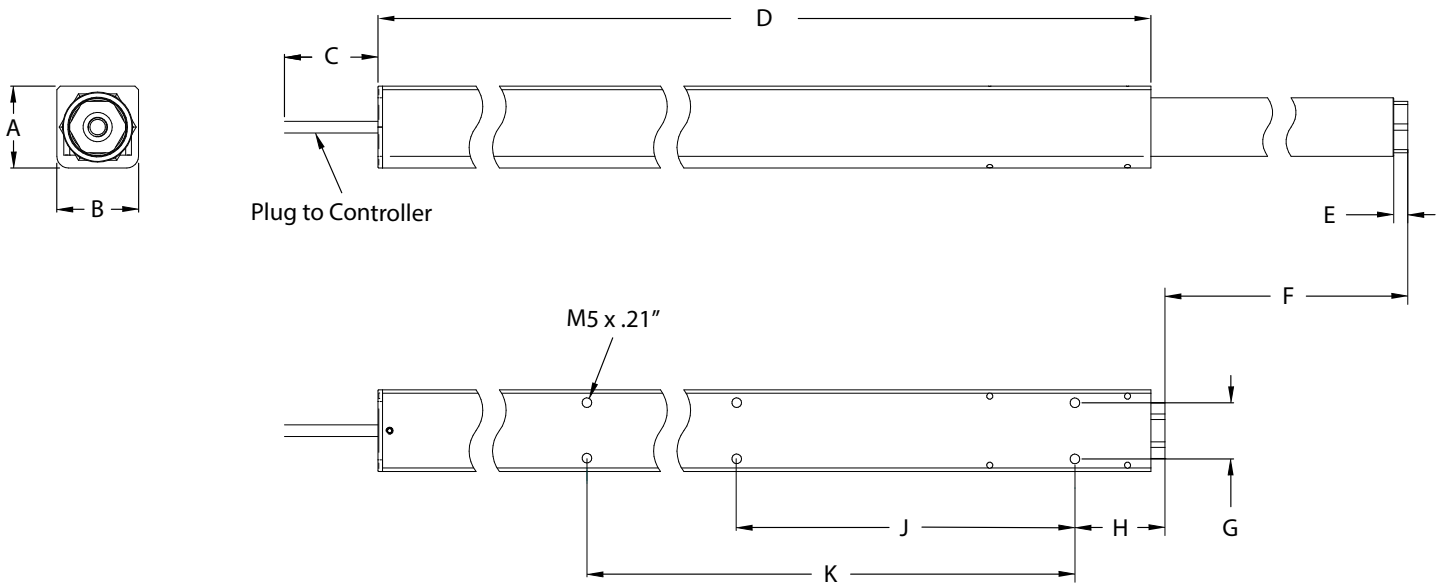
MATERIAL	A	B	C	D	E	F	G	H	J	K	L
Aluminum & Steel	2.360" 59.94mm	2.560" 65.02mm	.310" 7.87mm	.870" 22.10mm	.160" 4.06mm	.410" 10.41mm	118.00" 2997.0mm	18.920" 480.57mm	7.370" 187.20mm	4.920" 125.00mm	1.000" 25.40mm

Lift Systems

Electronic Lift System

Material Specs

- Max Load: 1320 lbs. (600 kg)
- Max Stroke: 11.81" (300mm)
- Lifting Speed: 0.35"/ sec (9mm / sec)
- Retracted Height: 23.63" (600mm)
- Extended Height: 35.43" (900mm)
- Kit Weight: 33lbs (15 kg)
- Dimensions: 30" x 10" x 7"
- **Kit Includes: Controller Box (1) Remote Key Pad (1), Linear Legs (4), Power Cable (1), Mounting Brackets (8), Leveling Feet (4).**



Linear Legs - Product Information

ITEM#	SERIES	MATERIAL	A	B	C	D	E	F	G	H	J	K
671793	15 40 30 45	Aluminum & Steel	1.380" 35.05mm	1.380" 35.02mm	79.000" 2006.6mm	23.340" 592.84mm	.240" .610mm	11.810" 300.00mm	.940" 23.88mm	1.520" 38.61mm	5.710" 145.03mm	13.390" 340.11mm

Lift Systems

Electric Column Lift System

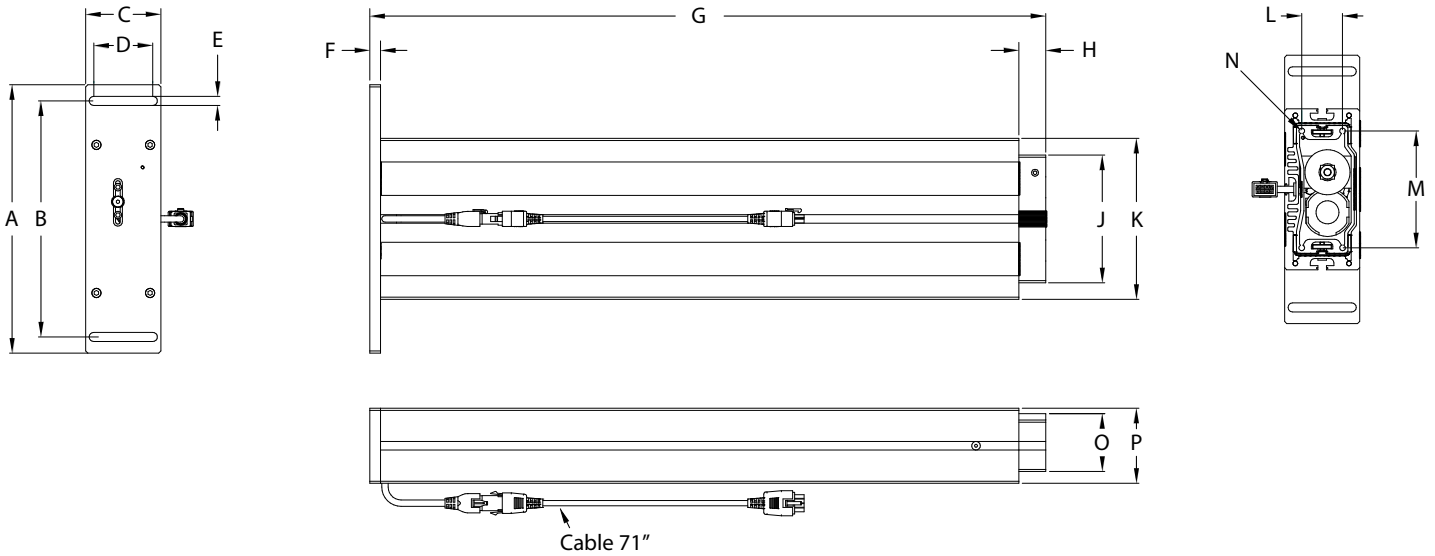
Material Specs

- Max Load: 1320 lbs. (600 kg)
- Max Stroke: 115.75" (400mm)
- Lifting Speed: 0.35"/ sec (9mm / sec)
- Retracted Height: 23.6" (630mm)
- Extended Height: 40.6" (1030mm)
- Max Load: 2 Legs - 1320 lbs (600 kg)
- Max Load: 4 Legs - 2200 lbs (1000 kg)
- Max Pushing Force: 660 lbs (300 kg) per Column



Column Legs Kits - Product Information

ITEM#	SERIES	LEGS	CONTROLLER BOX	REMOTE KEY PAD
671798	15 40 45	2	--	--
671797		2	1	1
671796		4	1	1

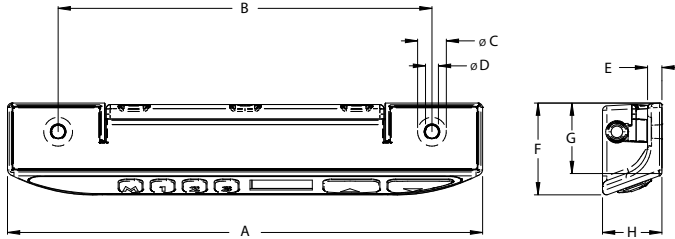


Column Leg Kits - Product Dimensions

A	B	C	D	E	F	G RETRACTED	G EXTENDED	H	J
9.840" 250.00mm	8.660" 220.00mm	2.760" 70.10mm	2.170" 55.12mm	.330" 8.39mm	.390" 9.90mm	24.800" 630.00mm	40.550" 1030.00mm	.980" 24.90mm	4.690" 119.13mm
K	L	M	N	O	P				
5.910" 150.10mm	1.500" 38.10mm	4.290" 109.00mm	.209" 5.30mm	2.130" 54.10mm	2.760" 70.10mm				

Lift Systems

Remote Keypad

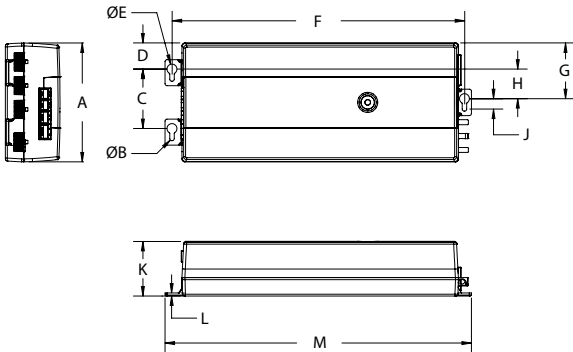


- Included with Electronic Lift System and Electronic Column Lift System
- Mounting hardware below

Product Information

A	B	C	D	E	F	G	H
6.500" 165.20mm	5.120" 130.00mm	.390" 10.00mm	.180" 4.50mm	.200" 5.00mm	1.260" 31.90mm	.980" 25.00mm	.810" 20.70mm

Controller Box



- Included with Electronic Lift System and Electronic Column Lift System
- Mounting hardware below

Product Information

A	B	C	D	E	F	G	H
4.724" 120.00mm	.157" 4.00mm	2.362" 60.00mm	1.039" 26.40mm	.394" 10.00mm	11.618" 295.10mm	2.213" 56.21mm	1.174" 29.82mm

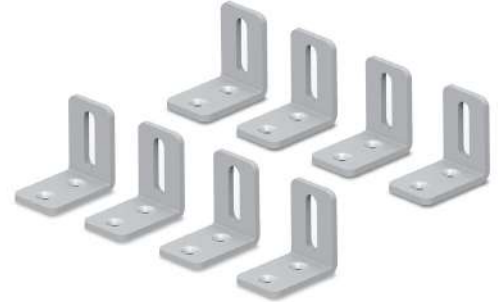
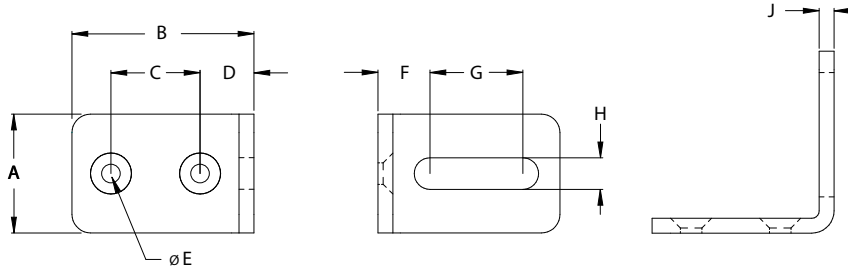
J	K	L	M
.416" 10.57mm	2.166" 55.02mm	.118" 3.00mm	12.169" 310.00mm

Recommended Fasteners (Mount Keypad and Box to Slot)

SERIES	BOLT	QTY. (KEYPAD)	QTY. (BOX)	T-NUT	QTY. (KEYPAD)	QTY. (BOX)
30	683366	2	3	671052	2	3
15 40	651843	2	3	671052	2	3
45	651843	2	3	671056	2	3

Lift Systems

Lift Mounting Bracket



- Included with Electronic Lift System and Hand Crank System

Product Dimensions

MATERIAL	A	B	C	D	E	F	G	H	J
Aluminum	1.260" 32.00mm	1.930" 49.00mm	.940" 24.00mm	.570" 14.50mm	.228" 5.80mm	.550" 14.00mm	.980" 25.00mm	.330" 8.50mm	.160" 4.00mm

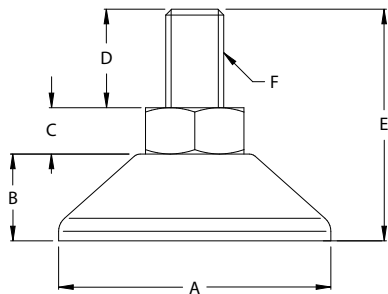
Included Fasteners

BOLT	QTY
M5 x 8mm FHSCS	16

Recommended Fasteners

SERIES	BOLT	QTY.	T-NUT	QTY.	WASHER	QTY.
30	651343	8	671071	8	651387	8
15 40	651345	8	651367	8	651387	8
45	651345	8	671067	8	651387	8

Rubber Leveling Feet



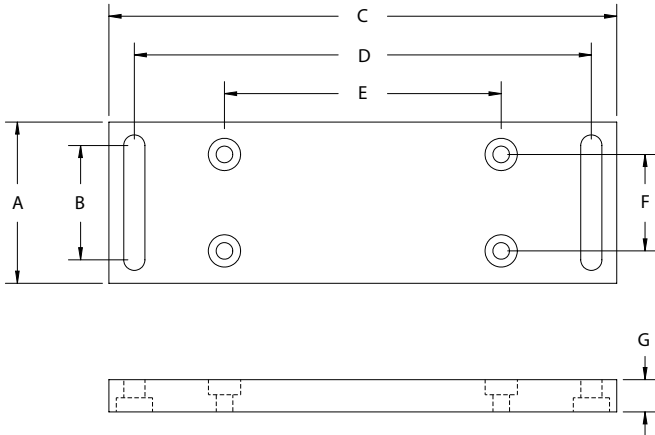
- Included with Electronic Lift System and Hand Crank System

Product Dimensions

A	B	C	D	E	F
1.850" 47.00mm	.590" 15.00mm	.310" 8.00mm	.670" 17.00mm	1.570" 40.00mm	M 10 x 25mm

Lift Systems - Accessories

Electric Column Lift Base Plate - Mount to Extrusion



Recommended Fasteners

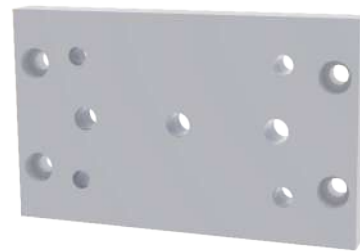
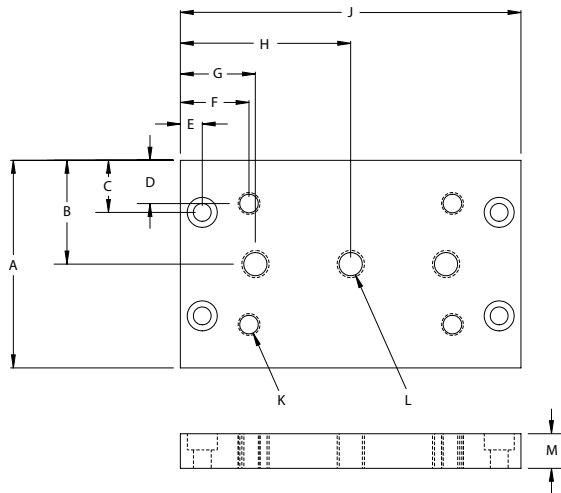
ITEM #	SERIES	BOLT	T-NUT	QTY
651150	15	5/16-18 x 5/8" BHSCS	Economy	4
651506	40	M8 x 16mm BHSCS	Economy	4
651804	45	SS M8 x 16mm BHSCS	Hammer	4

* Mounting hardware for plate to column leg included in column lift system kit.

Product Information

ITEM	SERIES	MATERIAL	A	B	C	D	E	F	G
671841	15 40 45	Aluminum	2.500" 63.50mm	1.772" 45.00mm	7.874" 200.00mm	7.087" 180.00mm	4.291" 109.00mm	1.496" 38.00mm	.500" 12.70mm

Electric Column Lift Base Plate - Mount to Casters/Leveling Feet



Recommended Fasteners - Mount to Caster

ITEM #	SERIES	BOLT	T-NUT	QTY
651342	15 40 45	M8 x 12mm SHCS	Economy	4

* Mounting hardware for plate to column leg included in column lift system kit.

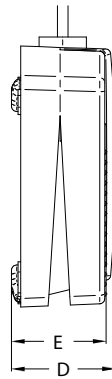
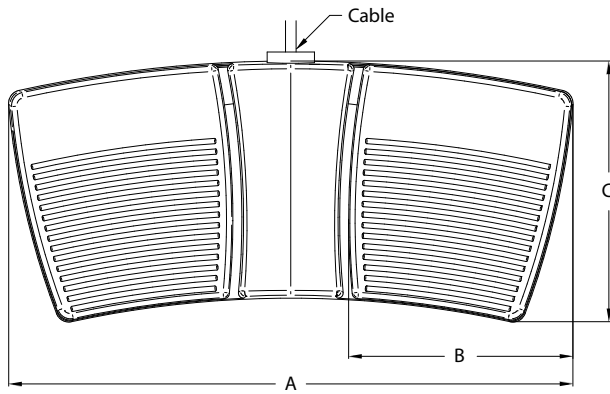
Product Information

ITEM	SERIES	MATERIAL	A	B	C	D	E	F	G	H
671840	15 40 45	Aluminum	3.000" 76.20mm	1.500" 38.10mm	.752" 19.10mm	.624" 15.85mm	.315" 8.00mm	.991" 25.20mm	1.083" 27.50mm	2.461" 62.51mm

J	K	L	M
4.921" 125.00mm	M8 x 1.25	M10 x 1.5	.500" 12.70mm

Lift Systems - Accessories

Foot Pedal



Product Information

ITEM	SERIES	MATERIAL	A	B	C	D	E	F	G	H
671799	15 40 45	Reinforced Fiberglass	2.360" 60.00mm	1.500" 38.10mm	7.870" 200.00mm	7.090" 180.10mm	4.290" 109.00mm	.390" 9.90mm	.650" 16.51mm	.490" 12.45mm

Motor Extension Cable



ITEM#	LENGTH	WEIGHT
671800	47.25" 1.2M	.5 Lbs.

- Extend the column cables to the controller for longer cable runs
- Daisy-chain up to 5 extension cables

Sync Cable



ITEM#	LENGTH	WEIGHT
671801	157.50" 4M	.5 Lbs.

- Synchronize 2 controllers by single remote
- Required when expanding a 4-column setup with additional legs

TOOLS SECTION

Tools

Recommended Tool Size for Fasteners

Product Information

THREAD SIZE	SHCS	BHSCS	FBHSCS	FHSCS
8-32	--	3/32"	--	--
10-32	5/32"	1/8"	--	--
1/4-20	3/16"	5/32"	5/32"	5/32"
5/16-18	1/4"	3/16"	3/16"	3/16"
3/8-16	5/16"	--	--	7/32"
M5	4mm	3mm	--	3mm
M6	5mm	4mm	--	4mm
M8	6mm	5mm	--	5mm
M10	8mm	6mm	--	6mm

Ball End Wrench Combo Tool



- Ball point allows access to difficult to reach screws
- Fractional - Yellow casing, Metric - Red casing
- Self-contained tool eliminates lots keys

Product Information

ITEM #	SERIES	HEAD TYPE	INCLUDED HEAD SIZES
657015	Fractional	Ball End	3/16", 7/32", 1/4", 5/16", 3/8"
657014	Metric		5mm, 6mm, 7mm, 8mm, 10mm

Tools

Ball Driver and L-Wrench Tool Set



- Ball point allows access to difficult to reach screws

Product Information

ITEM #	SERIES	HEAD TYPE	INCLUDED HEAD SIZES
657035	Fractional	Ball End	.050", 1/16", 5/64", 3/32", 7/64", 1/8", 9/64", 5/32", 3/16", 7/32", 1/4", 5/16", 3/8"
657030	Metric		1.5mm, 2mm, 2.5mm, 3mm, 4mm, 5mm, 6mm, 7mm, 8mm, 10mm

Ball End L Hex Wrench



- Ball end for off axis
- Long arm for maximum torque
- Allows for angle entry up to 25°

Product Information

ITEM #	SERIES	HEAD TYPE	TOOL HEAD SIZE
657025	Fractional	Ball End	5/32"
657002			3/16"
657005			1/4"
657022	Metric		M4
657023			M5
657024			M6

Tools

T Handle Ball End Hex Wrenches



- Cushion grip for maximum torque
- 10" long arm for hard to reach areas
- Allows for angle entry up to 25°

Product Information

ITEM #	SERIES	HEAD TYPE	INCLUDED HEAD SIZES
657000	Fractional	Ball End	3/16"
657004			1/4"
657034			5/32"
657031	Metric		M4
657032			M5
657033			M6

Cheater Pipe



- Gives extra torque in hard to reach spots
- Use with a ball end "L" hex wrench
- Fits over the end of a 1/4" hex wrench

Product Information

ITEM #	SERIES	DESCRIPTION
657001	Fractional	Cheater Pipe

Anchor Fastener Counterbore Cutters



- Two flute style single end
- High speed steel square end mill
- Allows you to make your own counterbores

Product Information

ITEM #	SERIES	MILL DIAMETER
657043	Fractional	9/16"
657008	Fractional/Metric	13/16"

Fluted Taps



- Two flute style single end
- High speed steel square end mill
- Allows you to make your own counterbores

Product Information

ITEM #	TAP SIZE
657143	1/4-20
657145	5/16-18
657144	M6 x 1.0
657146	M8 x 1.25

Tools

Access Hole Drill Jigs



- Locates access holes precisely
- Hardened dowel pins prevent rotation
- Replaceable, hardened drill bushings

Product Information

ITEM #	SERIES	DESCRIPTION	HOLE SIZE
657037	10	Jig for 1010 Extrusion	.218"
657040		Jig for 2 Hole for 1020 Extrusion	
657042		Jig for 4 Hole for 2020 Extrusion	
657038		Replacement Bushings for 10 S	
657011	15	Jig for 1515 Extrusion	.296"
657039		Jig for 2 Hole for 1530 Extrusion	
657181		Jig for 4 Hole for 3030 Extrusion	
657012		Replacement Bushings for 15 S	
699740	45	Jig for all 45 S Extrusions	.386"

Access Hole Drill Jigs



- Two flute
- High speed steel
- Can be used with drill jigs, drill press, or mill

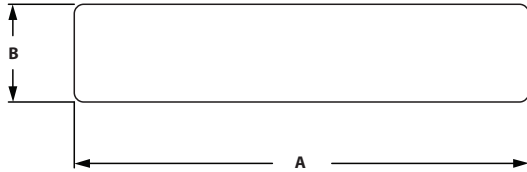
Product Information

ITEM #	SERIES	BIT SIZE	
657036	Fractional	.218" x 2.30"	
657010	Fractional / Metric	.295" x .268"	

INDUSTRIAL PROFILES SECTION

Industrial Profiles

Flat Stock

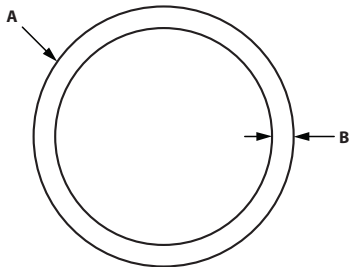


Product Information

MILL FINISH	ANODIZED	MATERIAL	STOCK LENGTH	A	B
662289	662290	Aluminum	Per inch / Max 144"	1.000"	.188"
662287	662288			1.000"	.250"
662285	662286			1.000"	.500"
662246	--			1.250"	1.250"
662283	662284			1.490"	.250"
662281	662282			1.500"	.500"
662279	662280			1.500"	.750"
662245	--			1.750"	1.750"
662275	662276			2.000"	.188"
662277	662278			2.000"	.500"
662197	662198			2.060"	2.060"
662213	--			2.000"	2.500"
662271	662272			2.500"	.500"
662212	--			2.500"	2.500"
662273	662274			3.000"	.188"
662269	662270			3.000"	.250"
662193	--			3.000"	.500"
662267	662268			3.000"	.750"
662195	662196			3.000"	1.500"
662265	662266			4.000"	.188"
662263	662264			4.000"	.250"
662261	662262			4.000"	.750"
662253	662254			4.000"	2.000"
662209	--			4.000"	3.000"
662218	662191			4.500"	.250"
662259	662260			5.000"	.250"
662257	662258			6.000"	.250"
662255	662256			6.000"	.375"
662000	--			Per Inch / 4M	80.00mm

Industrial Profiles

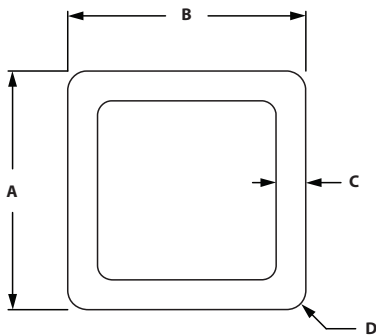
Aluminum Tube



Product Information

MILL FINISH	ANODIZED	MATERIAL	STOCK LENGTH	A	B
662317	662318	Aluminum	Per inch / Max 144"	1.000"	.125"
662315	662316			1.500"	.125"
662313	662314			2.000"	.125"

Square Tube

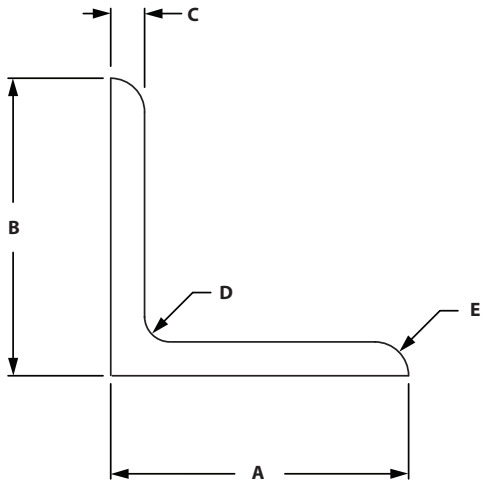


Product Information

MILL FINISH	ANODIZED	MATERIAL	STOCK LENGTH	A	B	C	D
--	662210	Aluminum	Per inch / Max 140"	2.000"	2.000"	.225"	.375"

Industrial Profiles

Angles

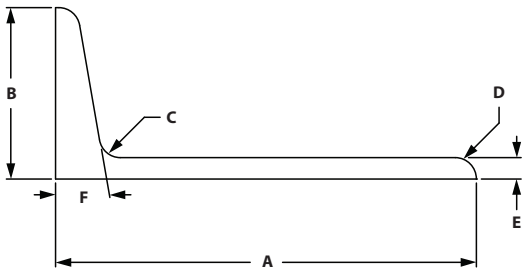


Product Information

MILL FINISH	ANODIZED	MATERIAL	STOCK LENGTH	A	B	C	D	E
662311	662312	Aluminum	Per inch / Max 150"	1.000"	1.000"	.125"	.125"	.094"
662305	662306			1.000"	1.000"	.188"	.125"	.125"
662309	662310		Per Inch / 145"	1.000"	2.000"	.188"	.125"	.188"
662307	662308		Per inch / Max 150"	1.500"	1.500"	.188"	.188"	.125"
662303	662304			1.500"	1.500"	.250"	.188"	.125"
662297	662298		Per Inch/ 120"	1.500"	3.000"	.250"	.250"	.250"
662301	662302		Per inch / Max 150"	2.000"	2.000"	.188"	.250"	.125"
662299	662300			2.500"	2.500"	.188"	.250"	.125"
662295	662296			3.000"	3.000"	.188"	.312"	.250"
662293	662294			3.000"	3.000"	.250"	.312"	.250"
662291	662292		Per Inch / 145"	4.500"	4.500"	.250"	.312"	.250"

Industrial Profiles

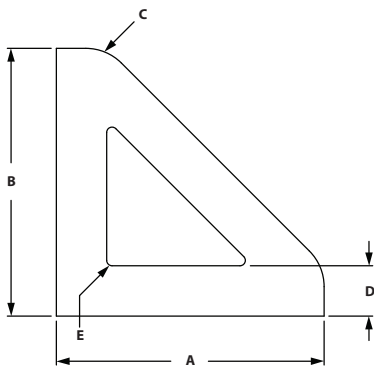
Floor Mount Angles



Product Information

MILL FINISH	ANODIZED	MATERIAL	STOCK LENGTH	A	B	C	D	E	F
662251	662252	Aluminum	Per Inch / 146"	5.000"	2.000"	.250"	.250"	.250"	10°
662194	--		Per Inch / 150"	3.000"	2.000"	.312"	.188"	.250"	10°

45° Gusset Profile

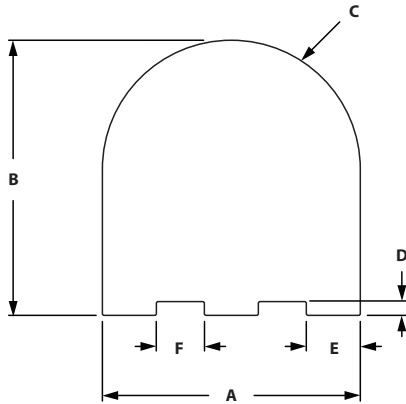


Product Information

SERIES	MILL FINISH	ANODIZED	MATERIAL	STOCK LENGTH	A	B	C	D	E
10	662205	662206	Aluminum	Per inch / Max 120"	1.000"	1.000"	.188"	.188"	.020"
15	662201	662202			1.500"	1.500"	.250"	.250"	.020"
10	662203	662204			2.000"	2.000"	.188"	.188"	.020"
15	662199	662200			3.000"	3.000"	.250"	.250"	.020"

Industrial Profiles

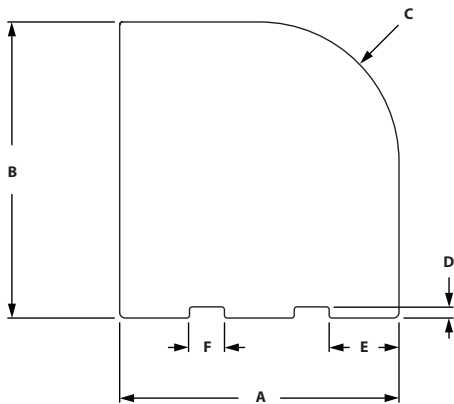
Pivot Nub Profile



Product Information

SERIES	MILL FINISH	ANODIZED	MATERIAL	STOCK LENGTH	A	B	C	D	E	F
10	662223	662224	Aluminum	Per inch / Max 120"	1.000"	1.060"	.500"	.040"	.250"	.125"
15	662225	662226			1.500"	1.600"	.750"	.080"	.314"	.279"

Right Angle Nub Profile

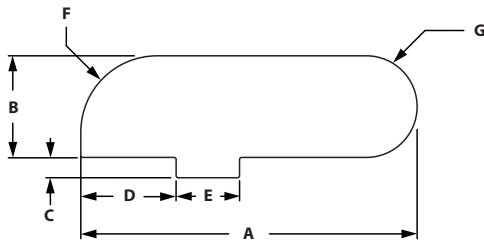


Product Information

SERIES	MILL FINISH	ANODIZED	MATERIAL	STOCK LENGTH	A	B	C	D	E	F
10	662249	662250	Aluminum	Per inch / Max 120"	1.000"	1.060"	.500"	.040"	.250"	.125"
15	662247	662248			1.500"	1.600"	.750"	.080"	.314"	.279"

Industrial Profiles

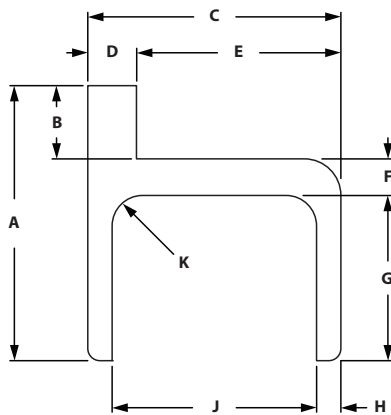
Hinge Profile



Product Information

SERIES	MILL FINISH	ANODIZED	MATERIAL	STOCK LENGTH	A	B	C	D	E	F	G
10	662221	662222	Aluminum	Per inch / Max 120"	1.156"	.500"	.060"	.252"	.249"	.375"	.250"
15	662219	662220			1.655"	.500"	.100"	.469"	.312"	.375"	.250"
40	662192	--			1.695"	.500"	.100"	.469"	.312"	.375"	.250"

Single Flange Bearing Profile

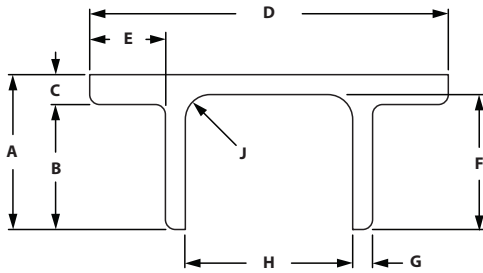


Product Information

SERIES	MILL FINISH	ANODIZED	MATERIAL	STOCK LENGTH	A	B	C	D	E	F	G	H	J	K
10	662237	662238	Aluminum	Per inch / Max 120"	2.160"	.750"	1.701"	.312"	1.389"	.250"	1.160"	.156"	1.389"	.250"
15	662231	662232			2.818"	.750"	2.600"	.500"	2.100"	.375"	1.693"	.250"	2.100"	.312"

Industrial Profiles

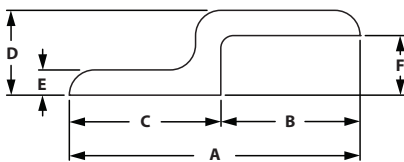
Double Flange Bearing Profile



Product Information

SERIES	MILL FINISH	ANODIZED MATERIAL	STOCK LENGTH	A	B	C	D	E	F	G	H	J
10	662235	662236	Per inch / Max 120"	1.316"	1.004"	.312"	3.260"	.780"	1.160"	.156"	1.389"	.125"
	662233	662234		1.316"	1.004"	.312"	4.250"	.772"	1.160"	.156"	2.395"	.125"
15	662229	662230		1.943"	1.568"	.375"	4.500"	.950"	1.693"	.250"	2.100"	.312"
	662227	662228		1.943"	1.568"	.375"	6.000"	.950"	1.693"	.250"	3.600"	.312"

Retainer Angles

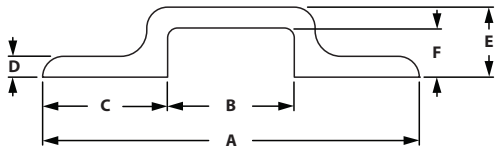


Product Information

SERIES	MILL FINISH	ANODIZED MATERIAL	MATERIAL	STOCK LENGTH	A	B	C	D	E	F
10	662239	662240	Aluminum	Per inch / Max 120"	1.938"	.938"	1.000"	.563"	.188"	.375"
15	662243	662244			2.879"	1.379"	1.500"	.840"	.250"	.590"
40	662211	--		Per Inch - 4M	76.98mm	37.00mm	40.00mm	21.95mm	6.00mm	15.95mm

Industrial Profiles

Double Retainer Angle



Product Information

SERIES	MILL FINISH	ANODIZED	MATERIAL	STOCK LENGTH	A	B	C	D	E	F
10	662207	662208	Aluminum	Per inch / Max 120"	3.021"	1.021"	1.000"	.188"	.563"	.375"
15	662241	662242			4.520"	1.523"	1.500"	.250"	.840"	.590"

MACHINING SERVICES SECTION

Machining Services

Ordering Example

Your project calls for 15 pieces of 1.5" x 1.5" extrusion and 5 pieces of 1.5" x 3". All 15 pieces of the 1.5" x 1.5" are cut to length and will be machined – 10 pieces @ 55" and 5 pieces @ 24.25" and all 5 pieces of the 1.5" x 3" are miter cut and counterbored – 5 pieces @ 16.35".

In this example there are (3) separate orders that will take place:

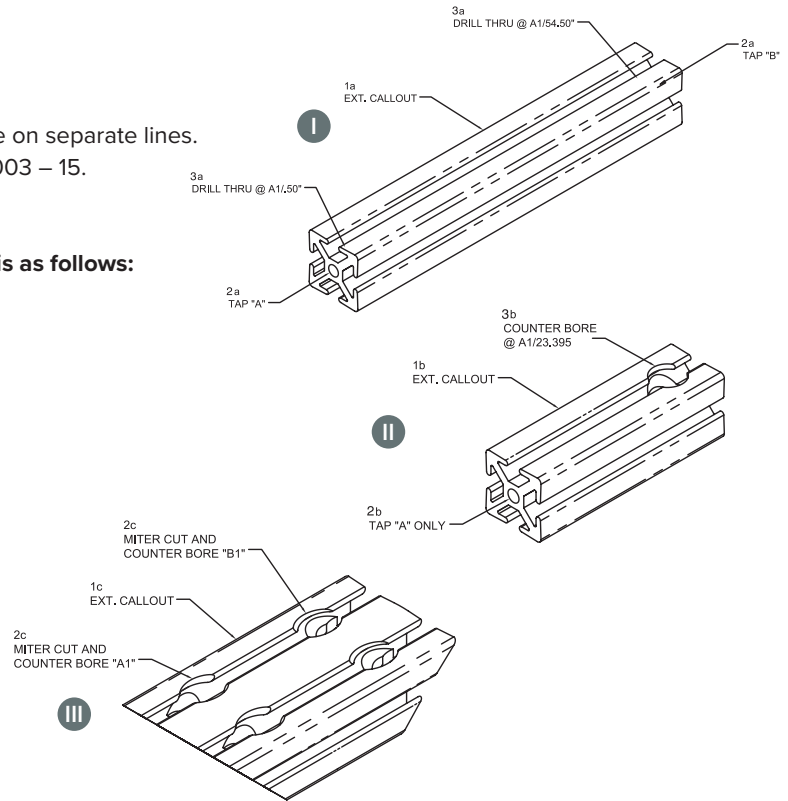
- I. 10 pieces of 1.5" x 1.5" @ 55"
- II. 5 pieces of 1.5" x 1.5" @ 24.25" and
- III. 5 pieces of 1.5" x 3" @ 16.35".

**At the end of your machining order, total each machining service on separate lines.

Ex. In Scenario I and II there are 15 Cut To Length charges – 660003 – 15.

The information needed to complete the above order scenario is as follows:

- I. The 10 pieces of 1.5" x 1.5" @ 55":
 - 1a. Extrusion item number or, Description pieces, length
 - 2a. Tapped
 - 3a. Drilled for access holes
- II. The 5 pieces off 1.5" x 1.5" @ 24.25":
 - 1b. Extrusion item number or Description, pieces, length
 - 2b. Tapped
 - 3b. Counterbored
- III. The 5 pieces of 1.5" x 3" @ 16.35":
 - 1c. Extrusion item number or Description, pieces, length
 - 2c. Miter cut and counterbored



Your order would look as follows:

ITEM #	QTY	MACHINING SERVICE NUMBER	LENGTH
I. (1a) 650005 (TS1515)	10	(2a) 660034 A-B (3a) 660028 A1/75"-A1/54.25"	55"
II. (1b) 650005 (TS1515)	5	(2b) 660034 A (3b) 660057 A1/23.395"	24.25"
III. (1c) 650008 (TS1530)	5	(2c) 660056 A1-A2-B1-B2	16.35"
Machining Services Details	15	660003	
	25	660034	
	20	660028	
	5	660057	
	10	660056	

Machining Services

Cut to Length

ITEM#	SERIES	PROFILES
660002	10	1050 - 1010
660000		2050 - 1020
660004		2020
660001		1030
660005		2040
660003	15	1575 - 1515 - 3075
660006		3075 - 1530
660007		1545
660013		3030
660008		3060
670500	20	2020 B
670501		2040 B
670502	30	3030 B
670503		3060 B
670506		6060 B 8 Slot
660001		3090 B
660003	40	4040 B
660006		4080 B
660013		8080 B
660008		80160 B
670502	45	22.5x45 B - 3045 C Channel
670504		4545 B - 4545 MT
670505		4590 B - 4560B - 4590 MT
670506		6060 B 4 Slot
670507		6090 B
670508		9090 B - 9090 MT
660002	20 / 25	2010 M - 2020 M - 2525 M
660000		2040 M - 2550 M
660001	25	2575 M
660004		5050 M
660003	40	4020 M - 4040 M
660006		4080 M - 8020M
660013		8080M
660007		40120 M
660008		80160 M
660231		80120M
660129		Misc. Cut Charge

- Tolerance on cuts is +/- .015"
- Squareness of cut is .003" per inch max.

Machining Services

Profile End Tap

ITEM#	SERIES	PROFILES	TAP SIZE	# OF TAPS	DEPTH	
660190	10	1050 - 2050	10-32	2	.750"	
660189			M5			
660035		1010	1/4-20	1	.750"	
660036			M6 X 1.00		.875"	
660025		1020	1/4-20	2	.750"	
660026			M6 X 1.00		.875"	
660016		1030	1/4-20	3	.750"	
660017			M6 X 1.00		.875"	
660037		2020	1/4-20	4	.750"	
660040			M6 X 1.00		.875"	
660018		2040	1/4-20	8	.750"	
660019			M6 X 1.00		.875"	
660025		15	1575 - 3075 Smaller Holes	1/4-20	2	.750"
660026	M6 X 1.00			.875"		
660024	1575 - 3075 Larger Holes		5/16-18	2	1.000"	
660182			3/8-16		1.250"	
660027			M8 x 1.25		1.125"	
660034	1515		5/16-18	1	1.000"	
660009			3/8-16		1.250"	
660030			7/16-14		1.125"	
660033			M8 x 1.25		1.125"	
660121			M10 x 1.50		1.250"	
660024	1530		5/16-18	2	1.000"	
660182			3/8-16		1.250"	
660027			M8 x 1.25		1.125"	
660010	1545		5/16-18	3	1.000"	
660183			3/8-16		1.250"	
660011			M8 x 1.25		1.125"	
660031	3030		5/16-18	4	1.000"	
660184			3/8-16		1.250"	
660032			M8 x 1.25		1.125"	
660012	3060		5/16-18	8	1.000"	
660014			M8 x 1.25		1.125"	
670509	20		2020 B	M6 x 1.00	1	22.00mm
660035				1/4-20		19.00mm
670510	2040 B		M6 x 1.00	2	22.00mm	
660025			1/4-20		19.00mm	
670511	30		3030 B	M8 x 1.25	1	28.50mm
660034		5/16-18		25.40mm		
670512		M8 x 1.25		28.50mm		

• Machining tolerance is +/- .030"

Machining Services

Profile End Tap (Cont.)

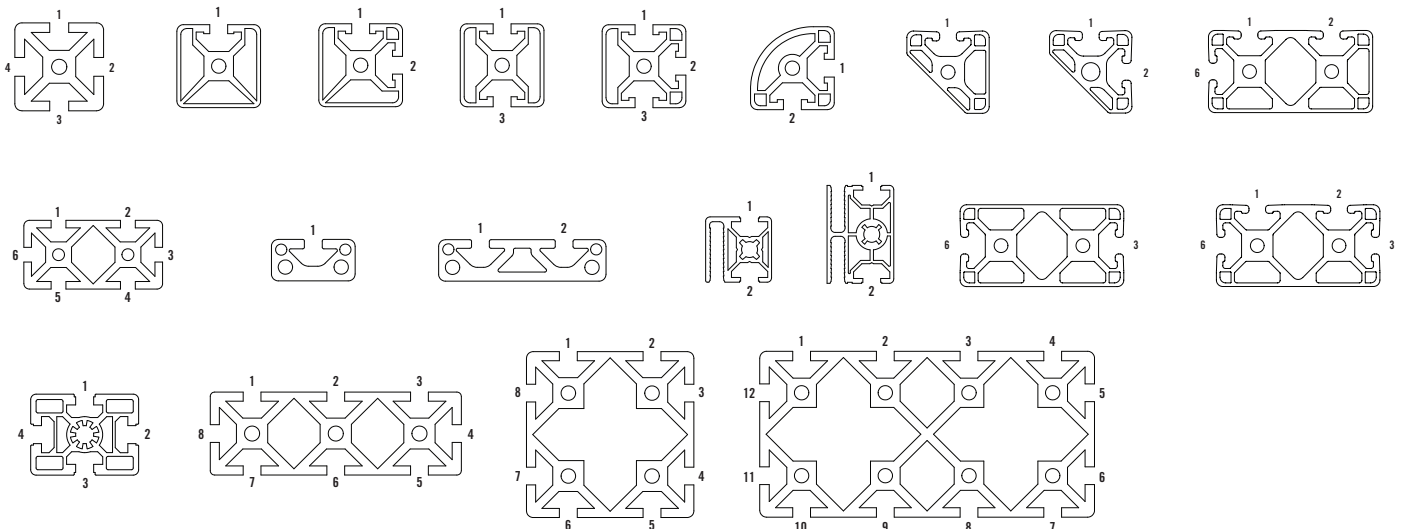
ITEM#	SERIES	PROFILES	TAP SIZE	# OF TAPS	DEPTH
660024	30	3030 B	5/16-18	2	25.40mm
660011		3090 B	M8 x 1.25	3	28.50mm
660032		6060 B 8 Slot	M8 x 1.25	4	28.50mm
670513	40	4040 B	M12 x 1.75	1	31.70mm
670514		4080 B	M12 x 1.75	2	31.70mm
670515		8080 B	M12 x 1.75	4	31.70mm
670528		80160 B	M12 x 1.75	8	31.70mm
670513	45	22.5x45 B - 4545 B - 6060 B 4 Slot - 4560 B	M12 x 1.75	1	31.70mm
670514		4590 B	M12 x 1.75	2	31.70mm
670516		6090 B	M16 x 2.00	1	31.70mm
670515		9090 B	M12 x 1.75	4	31.70mm
660235	45	4545 MT	M8 x 1.25	1	28.50mm
660236		4590 MT	M8 x 1.25	2	28.50mm
660237		9090 MT	M8 x 1.25	4	28.50mm
660124	20	2020 M	M5 x 0.8	1	20.00mm
660189		2040 M	M5 x 0.8	2	20.00mm
660036	25	2525 M	M6 X 1.00	1	22.20mm
660026		2550 M	M6 X 1.00	2	22.20mm
660017		2575 M	M6 X 1.00	3	22.20mm
660040		5050 M	M6 X 1.00	4	22.20mm
660027	40	4020 M	M8 x 1.25	2	28.50mm
660033		4040 M	M8 x 1.25	1	28.50mm
660121			M10 x 1.50		31.70mm
660034			5/16-18		25.40mm
660009			3/8-16		31.70mm
660030			7/16-14		25.40mm
660025		8020M	1/4-20	2	19.00mm
660026		Smaller Holes	M6 x 1.00		22.00mm
660027		8020M - Larger Holes 4080 M	M8 x 1.25	2	28.50mm
660024			5/16-18		25.40mm
660182			3/8-16		31.70mm
660011		40120 M	M8 x 1.25	3	28.50mm
660010			5/16-18		25.40mm
660183			3/8-16		31.70mm
660032		8080M	M8 x 1.25	4	28.50mm
660031			5/16-18		25.40mm
660184			3/8-16		31.70mm
660228	80120M	M8 x 1.25	6	28.50mm	
660229		5/16-18		25.40mm	
660014	80160 M	M8 x 1.25	8	28.50mm	
660012		5/16-18		25.40mm	

Machining Services

Drill Access Hole

ITEM#	SERIES	PATTERN	TYPE	HOLE DIAMETER	A
660029	10	Single Hole	Single	.218"	--
660105		2 Hole	In-Line		1.000"
660107		2 Hole	Side by Side		--
660159		3 Hole	Side by Side		--
660110		4 Hole	Side by Side		1.000"
660028	15	Single Hole	Single	.295"	--
660106		2 Hole	In-Line	.295"	1.500"
660108		2 Hole	Side by Side		--
660109		3 Hole	Side by Side		--
660111		4 Hole	Side by Side		1.500"
670517	20	Single Hole	Single	5.80mm	--
670518	30	Single Hole	Single	7.90mm	--
670519		Single Hole	Single	11.00mm	--
670520	40/45	Single Hole	Single	9.80mm	--
670521		Single Hole	Single	17.00mm	--
660123	20	Single Hole	Single	4.50mm	--
660028	40	Single Hole	Single	7.50mm	--
660185		2 Hole	In-Line		40.00mm
660186		2 Hole	Side by Side		--
660187		4 Hole	Side by Side		40.00mm

Drill Access Hole Locations



Machining Services

Drill Access Hole (Cont.)

Ordering Example

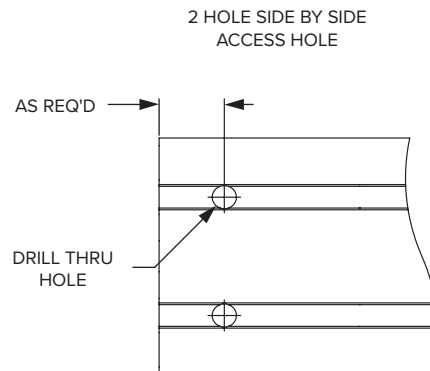
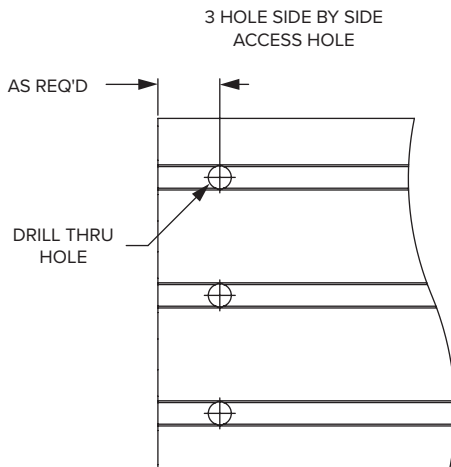
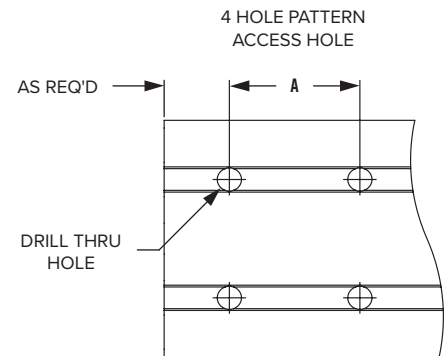
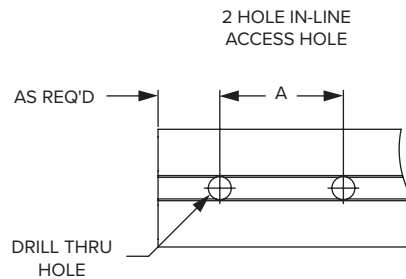
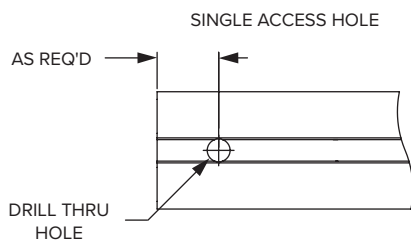
You want 2 pieces of 1.5 x 1.5" @ 45" to receive a two-hole in-line access hole pattern at both ends, for attachment of a length of 15 x 30. The order would look as follows:

ITEM#	QTY	MACHINING SERVICE #	LENGTH
650005	2	660106 A1 / .75" - A1 / 44.25"	45"
	2	660003	
	4	660106	

Note that the distance specified in both cases (from the reference end of the profile) will provide a flush connection with the mating extrusion.

• Machining tolerance is +/- .030"

Patterned Access Hole Drawings



Machining Services

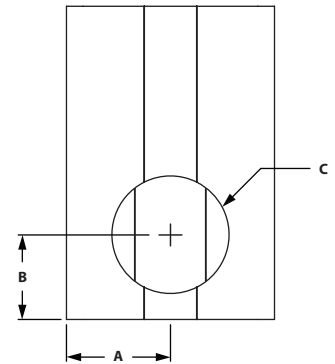
Anchor Fastener Counterbore / Butt Fastener Counterbore

ITEM#	SERIES	COUNTERBORE	COUNTERBORE SIZE	A	B	C
660022	10	Anchor Fastener	.563" Dia. x .420" Deep	.500"	.436"	.563" x .420"
660023		Butt Fastener		.500"	.436"	.563" x .420"
660020	15 40	Anchor Fastener	.812" Dia. x .650" Deep	.750"	.855"	.812" x .650"
660021		Butt Fastener		.750"	.721"	.812" x .650"

Ordering Example

A project requires that two lengths of profile be machined for an anchor fastener assembly. One of the lengths is the 1.5" x 1.5" @ 41" extrusion profile and requires the counterboring at one end only, in slot A1 and A3 of the profile. The other length is the 1.5" x 3" extrusion profile @ 45" that requires machining for two anchor fasteners at each end, in slot A3-A6 and B3-B6 of the profile only. The counterbore service would be ordered as follows:

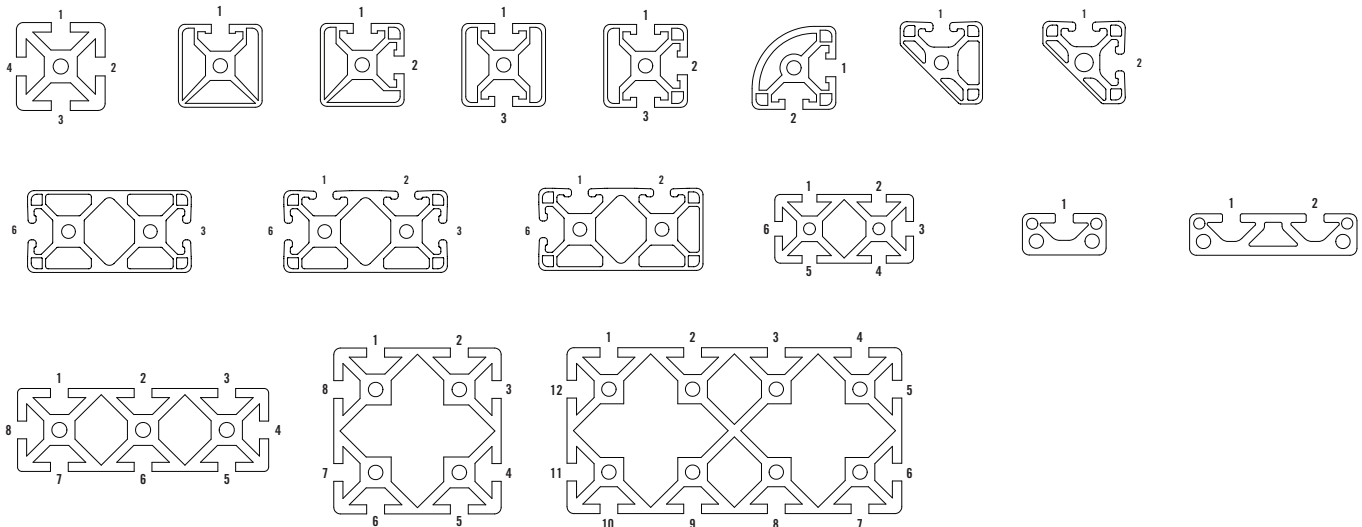
ITEM#	QTY	MACHINING SERVICE #	LENGTH
650008	1	660020 -A3-A6-B3-B6	41"
	1	660006 -CTL	
	6	660020	



◦ Machining tolerance is +/- .030"

*Counterbore machining services are priced per counterbore required.

Anchor Fastener Counterbore Locations



Machining Services

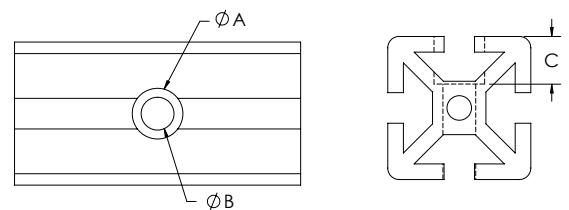
Counterbore with Through Hole

ITEM#	SERIES	TYPE	A	B	C
660168	10	Through Hole	.438"	.266"	.328"
660139	15 40		.531"	.344"	.495"

Ordering Example

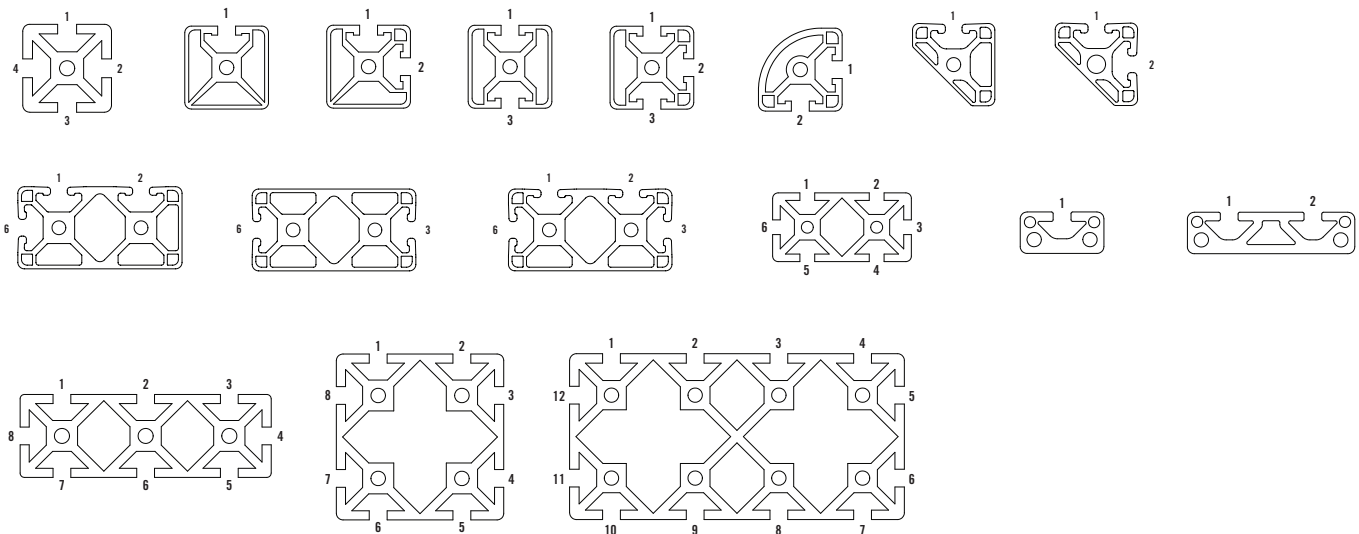
A project requires that a counter bore with through hole be used on a 15 x 15 extrusion. The hole will be .75" from side "A" in slot 1. The machining service would look as follows:

ITEM#	QTY	MACHINING SERVICE #	LENGTH
650005	1	660139 A1 / .75"	24"
	1	660003 -CTL	



◦ Machining tolerance is +/- .030"

Anchor Fastener Counterbore Locations



Machining Services

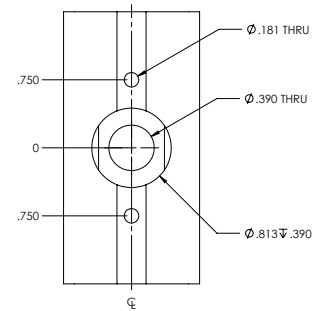
Furniture Style Door Handle Milling Service

ITEM#	SERIES	COUNTERBORE	COUNTERBORE SIZE
660091	15 40	Furniture Style Door Handle	.813" Dia. x .390" Deep

Ordering Example

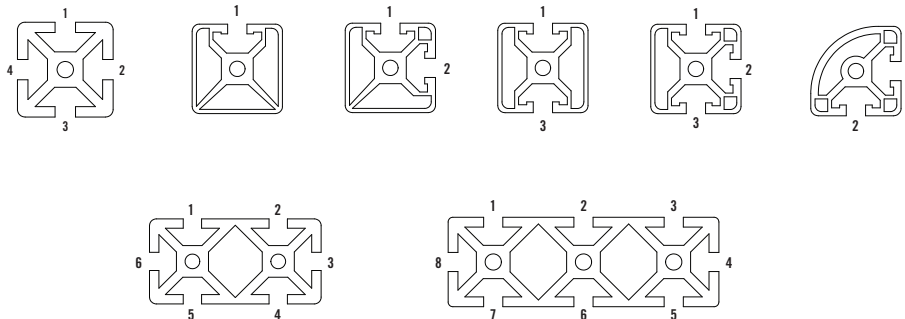
A project requires that a furniture style door handle be used on a 15 x 15 extrusion. The door handle will be 5" from side "A" in slot 1. The machining service would look as follows:

ITEM#	QTY	MACHINING SERVICE #	LENGTH
650005	1	660091 - A1 / 5"	30"
	1	660003 -CTL	



• Machining tolerance is +/- .030"

Furniture Style Door Handle Locations



Machining Services

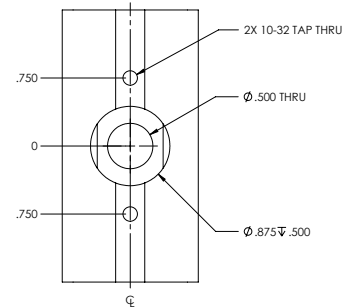
Deluxe Door Handle Milling Service

ITEM#	SERIES	COUNTERBORE	COUNTERBORE SIZE
660086	15 40	Deluxe Door Handle	.875" Dia. x .500" Deep

Ordering Example

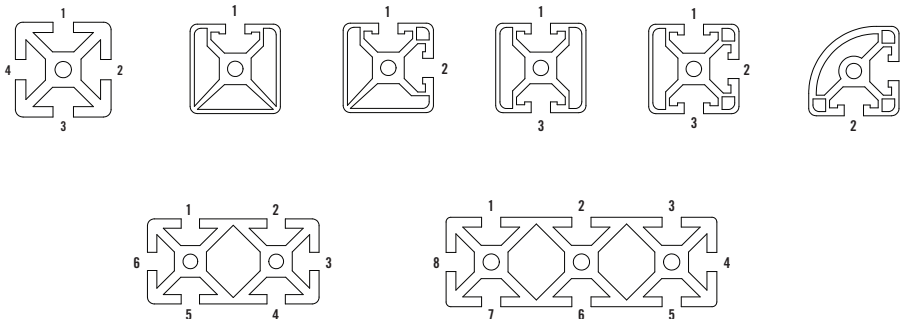
A project requires that a deluxe door handle be used on a 15 x 15 extrusion. The door handle will be 8" from side "A" in slot 4. The machining service would look as follows:

ITEM#	QTY	MACHINING SERVICE #	LENGTH
650005	1	660086 - A4 / 8"	24"
	1	660003 -CTL	



◦ Machining tolerance is +/- .030"

Deluxe Door Handle Locations



Machining Services

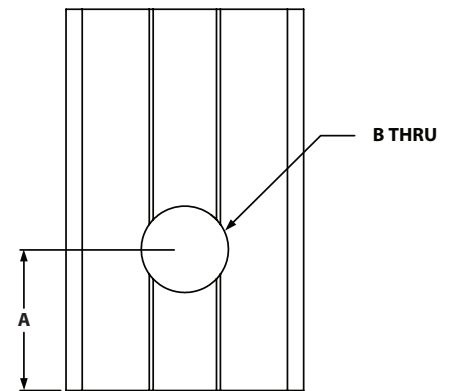
Bolt Connector Machining

ITEM#	SERIES	CONNECTOR ITEM #	A	B
670523	30	671600	18.00mm	9.80mm
670524	45	671602, 671605	22.50mm	17.00mm

Ordering Example

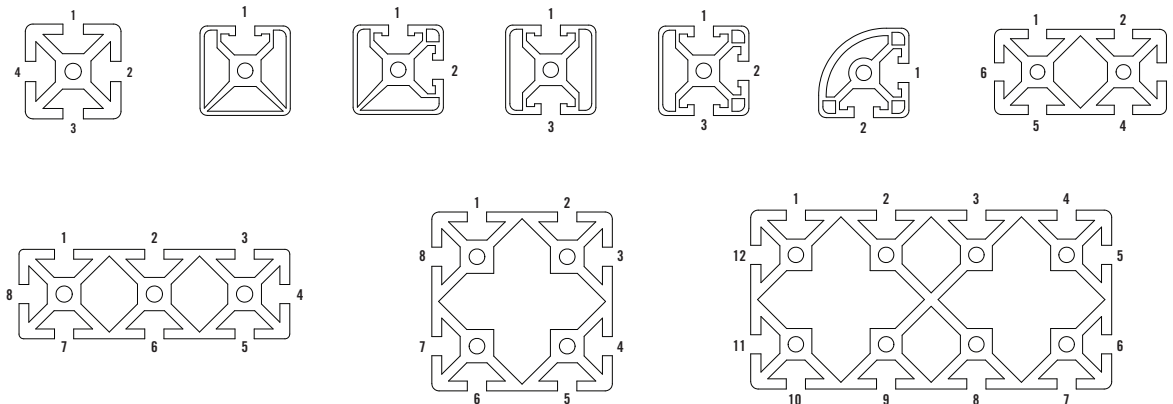
A project requires that a bolt connector with through hole be used on a 30mm x 30mm extrusion. The hole will be 18mm from side "A" in slot 1. The machining service would look as follows:

ITEM#	QTY	MACHINING SERVICE #	LENGTH
670007	1	670523 A1 / 18.00mm	24"
	1	670502 -CTL	



◦ Machining tolerance is +/- .030"

Bolt Connector Locations



Machining Services

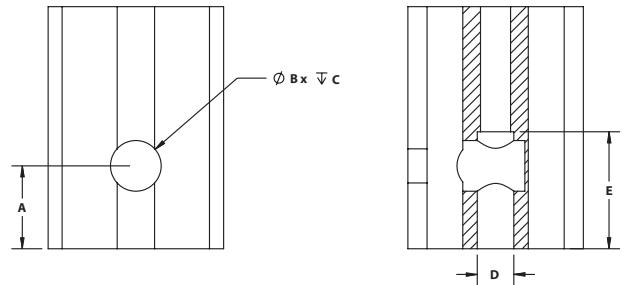
Central Connector Machining

ITEM#	SERIES	CONNECTOR ITEM #	A	B	C	D	E
670525	30	659893 / 682994	18.00mm	11.00mm	21.00mm	7.90mm	30.00mm
670526	15 40		.593"	.433"	1.000"	.312"	1.181"
670527	45	659730 / 659669	22.50mm	17.00mm	34.00mm	--	--

Ordering Example

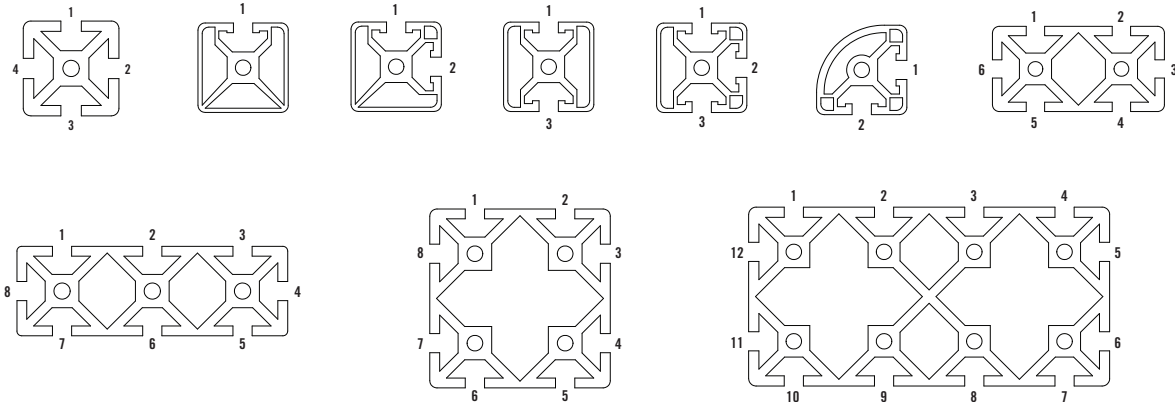
A project requires that a central connector with through hole be used on a 30mm x 30mm extrusion. The hole will be 18mm from side "A" in slot 1. The machining service would look as follows:

ITEM#	QTY	MACHINING SERVICE #	LENGTH
670007	1	670525 A1 / 18.00mm	24"
	1	670502 -CTL	



• Machining tolerance is +/- .030"

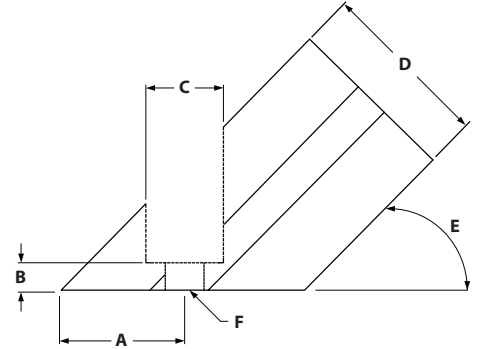
Central Connector Locations



Machining Services

Miter Saw Cuts and Counterbore

SERIES	A	B	C	D	E	F
10	.707"	.250"	.625"	1.000"	45°	.257"
15	1.125"	.250"	.750"	1.500"		.328"
20	14.61mm	6.35mm	12.70mm	20.00mm		6.53mm
30	25.40mm	6.40mm	19.10mm	30.00mm		8.30mm
45	36.50mm	9.50mm	22.20mm	45.00mm		8.30mm
20	14.61mm	6.35mm	12.70mm	20.00mm		6.53mm
40	28.56mm	6.35mm	19.05mm	38.10mm		8.33mm



Recommended Fasteners

ITEM #	SERIES	QTY	BOLT	T-NUT	WASHER
651240	10	1 to 6	1/4-20 x 5/8" SHCS	Economy	Yes
651213	15	1 to 6	5/16-18 x 3/4" SHCS	Economy	
651846	20	1 to 4	M6 x 12mm SHCS	Self-Align	
651696	30	1 to 4	M8 x 16mm SHCS	Economy	
651697	45	1 to 4	M8 x 25mm SHCS	Economy	
651847	20	1 to 4	M5 x 12mm SHCS	Drop-In	
651348	40	1 to 6	M8 x 20mm SHCS	Economy	

Miter and Counterbore (For One End Only)

ITEM#	SERIES	PROFILES
660050	10	1010
660053		1020
660055		1030
660049	15 40	1515 - 4040
660056		1530 - 4080
660058		1545 - 40120
660221	20 20	2020 B - 2020 M
660222		2040 B - 2040 M
660223	30	3030 B
660224		3060 B
660225	45	4545 B
660226		4590 B

Machining Services

Miter Saw Cuts and Counterbore (Continued)

Miter Cuts Only (For One End Only)

ITEM#	SERIES	PROFILES
660039	10	1010
660041		1020
660043		1030
660042		2020
660044		2040
660038	15 40	1515 - 4040 M
660046		1530 - 4080 M
660047		1545 - 40120 M
660054		3030 - 8080 M
660208		3060 - 80160 M
660209	20 20	2020 B - 2020 M
660214		2040 B - 2040 M
660215	30	3030 B
660216		3060 B
660217		6060 B
660218	45	4545 B
660219		4590 B
660220		9090 B

Ordering Example

Two custom support brackets are required for your project, but you plan on counterboring the part yourself. You will use 15 x 30 extrusions that are 15" long from corner to corner. The machining service would look as follows:

ITEM#	QTY	MACHINING SERVICE #	LENGTH
650008	2	660046 A1 - B1	15"
	1	660006 -CTL	

◦ Machining tolerance is +/- .030"

Machining Services

Panels and Wire Mesh - Cut to Size

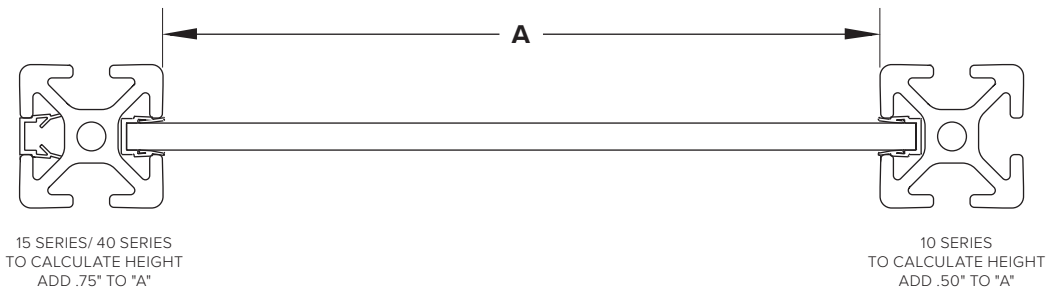
ITEM #	MATERIAL	SERVICE TYPE
660062	Plastic Panels	Cutting Plastic Panels Any Side \leq 48"
660063		Cutting Plastic Panels Any Side $>$ 48"
660060	Shear Wire Mesh	Shearing Expanded Metal or Wire Mesh Any Side \leq 48"
660061		Shearing Expanded Metal or Wire Mesh Any Side $>$ 48"

Ordering Example

Panel saw cut requirements should be described by specifying the type of panel required and the size required in inches. Pricing is calculated on a square foot basis. The cutting charges will appear as a separate line item.

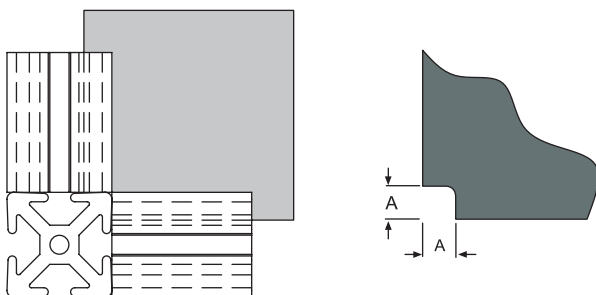
ITEM#	QTY	MACHINING SERVICE #	LENGTH
655433	3	660062 4' x 3'	36 sq. feet

» Cut tolerances for panels/wire mesh
 Plastic panels: $\pm .125"$
 Wire Mesh: $+.125"/-.250"$



Notch Panel for Extrusion Clearance

ITEM #	SERIES	TYPE	A
660098	15	Corner Notch	.347"
660099	15 40		.500"
660212	10 15 40	Universal Clearance Notch	.347" / .500"



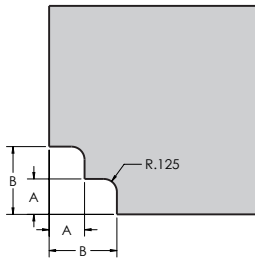
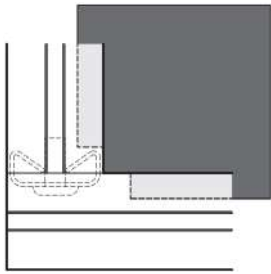
Panel notching gives clearance for perpendicularly mounted extrusions. This machining service is only needed when panels are installed in TSLOTS.

• Machining tolerance is $\pm .030"$

Machining Services

Notch Panel for End Fastener Clearance

ITEM #	MATERIAL	SERVICE TYPE	A	B
660096	15	Corner Notch	.250"	.650"
660097	15 40		.340"	.650"
660212	10 15 40	Universal Clearance Notch	.250" / .340"	.650"

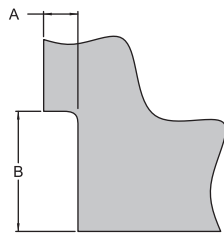
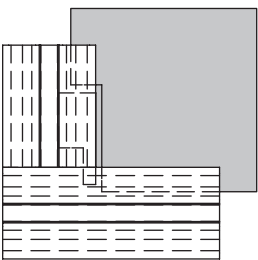


Panel notching gives clearance for end fastener. This machining service is only needed when panels are installed in TSLOTS.

◦ Machining tolerance is +/- .030"

Notch Panel for Anchor Fastener Clearance

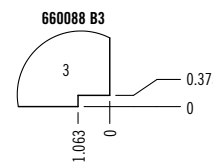
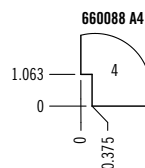
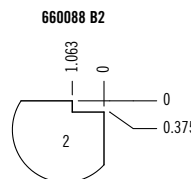
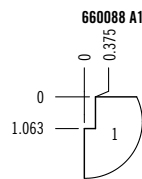
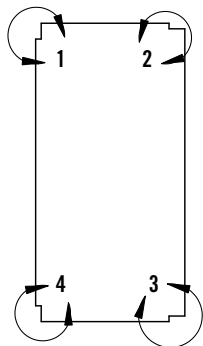
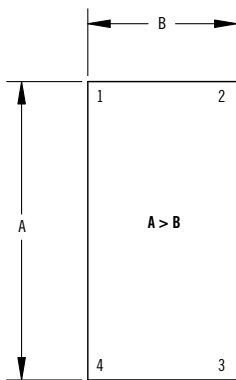
ITEM #	MATERIAL	SERVICE TYPE	A	B
660088	15	Corner Notch	.375"	1.063"
660089	15 40		.500"	1.750"
660212	10 15 40	Universal Clearance Notch	.375" / .500"	1.063" / 1.750"



Panel notching gives clearance for anchor fastener. This machining service is only needed when panels are installed in TSLOTS.

Panel should be installed after the anchor fastener is tightened.

◦ Machining tolerance is +/- .030"



Note that side A is always longer than side B, and the letter listed in the service indicates which direction the longer notch is oriented.

Corner #1 is oriented by placing the panel as shown in the standard panel example. All other corners are based off this corner by numbering the panel clockwise.